

Recommended Tools



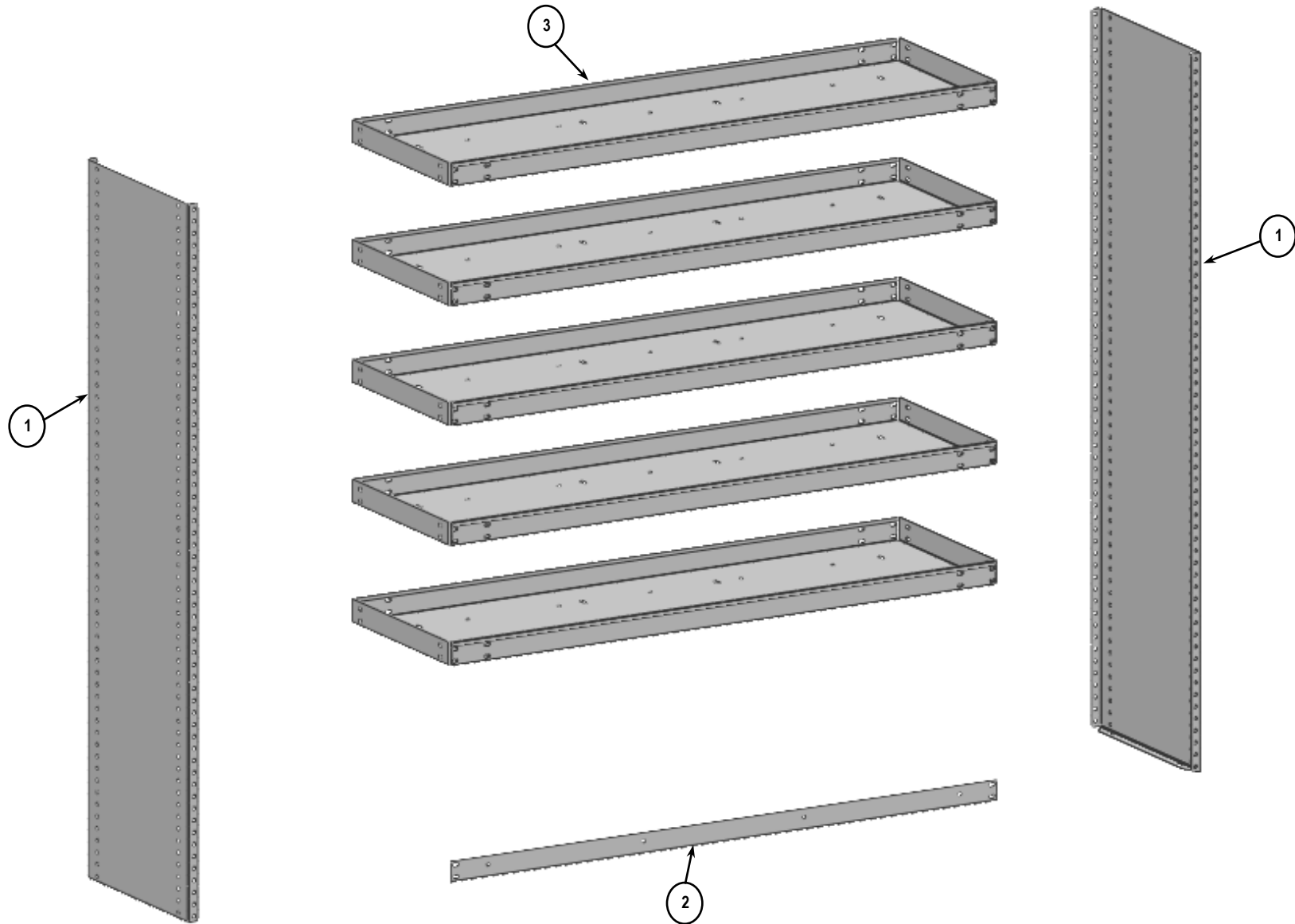
Hardware



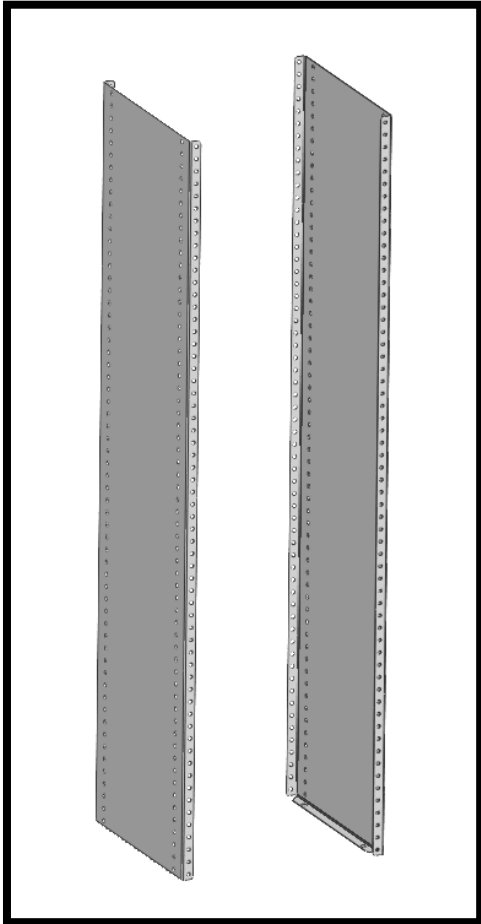
SOLID END SHELVING MODULES

Review this document to ensure that all parts and hardware are included in the package, before installation. In the event that parts are missing please contact Masterack @ 1-800-222-8785, to re-order missing parts.

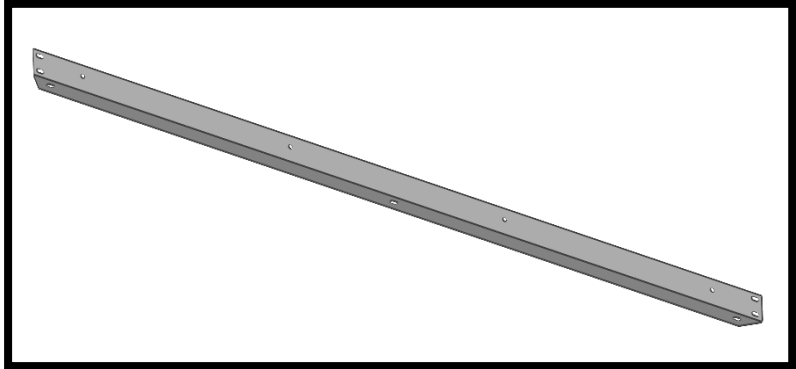
EXPLODED VIEW



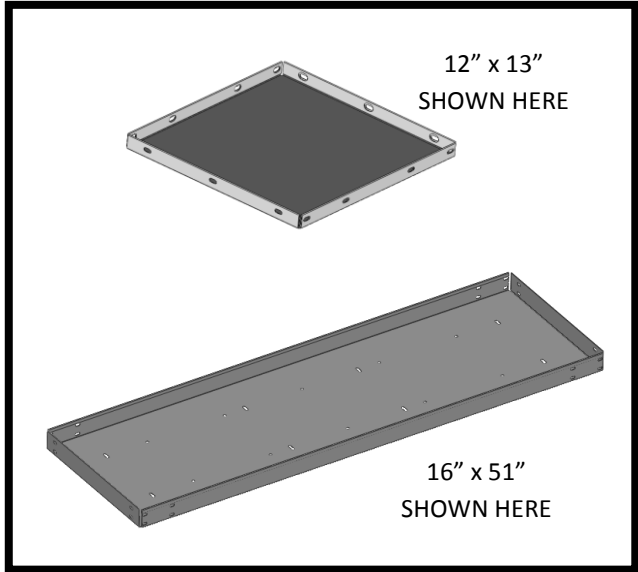
COMPONENTS



1 SOLID END UPRIGHT (SET OF 2)



2 FLOOR BRACE

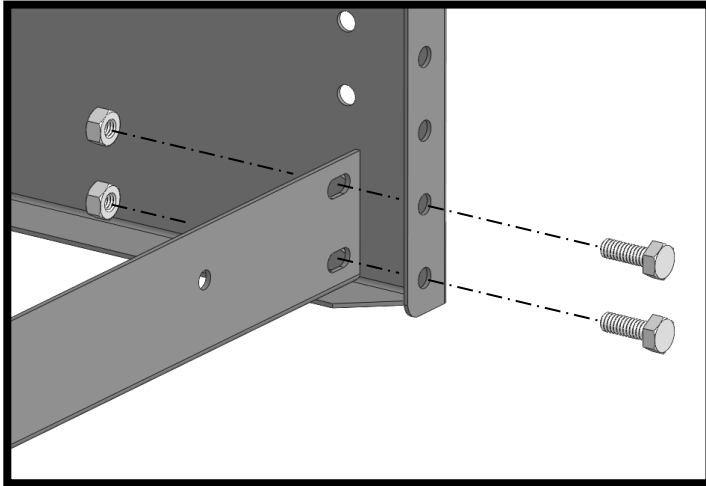


3 METAL SHELF

SHELVING MODULE	UPRIGHTS (SET OF 2) ①	FLOOR BRACE ②	METAL SHELF ③
022842KP [28H x 13W x 12D]	022348KP		021377KP – QTY. 3
022836KP [36H x 13W x 12D]	022347KP		021377KP – QTY. 3
022826KP [46H x 13W x 12D]	025367KP		021377KP – QTY. 3
027562KP [60H x 13W x 12D]	026438KP		021377KP – QTY. 5
022841KP [28H x 19W x 12D]	022348KP	023055KP	021378KP – QTY. 3
022835KP [36H x 19W x 12D]	022347KP	023055KP	021378KP – QTY. 3
022825KP [46H x 19W x 12D]	025367KP	023055KP	021378KP – QTY. 3
027563KP [60H x 19W x 12D]	026438KP	023055KP	021378KP – QTY. 5
022840KP [28H x 25W x 12D]	022348KP	023056KP	021379KP – QTY. 3
022834KP [36H x 25W x 12D]	022347KP	023056KP	021379KP – QTY. 3
022824KP [46H x 25W x 12D]	025367KP	023056KP	021379KP – QTY. 3
027564KP [60H x 25W x 12D]	026438KP	023056KP	021379KP – QTY. 5
022839KP [28H x 31W x 12D]	022348KP	023057KP	021380KP – QTY. 3
022833KP [36H x 31W x 12D]	022347KP	023057KP	021380KP – QTY. 3
022823KP [46H x 31W x 12D]	025367KP	023057KP	021380KP – QTY. 3
027565KP [60H x 31W x 12D]	026438KP	023057KP	021380KP – QTY. 5
022838KP [28H x 37W x 12D]	022348KP	023058KP	021381KP – QTY. 3
022832KP [36H x 37W x 12D]	022347KP	023058KP	021381KP – QTY. 3
022822KP [46H x 37W x 12D]	025367KP	023058KP	021381KP – QTY. 3
027566KP [60H x 37W x 12D]	026438KP	023058KP	021381KP – QTY. 5
022837KP [28H x 43W x 12D]	022348KP	023059KP	021382KP – QTY. 3
022831KP [36H x 43W x 12D]	022347KP	023059KP	021382KP – QTY. 3
022821KP [46H x 43W x 12D]	025367KP	023059KP	021382KP – QTY. 3
027567KP [60H x 43W x 12D]	026438KP	023059KP	021382KP – QTY. 5

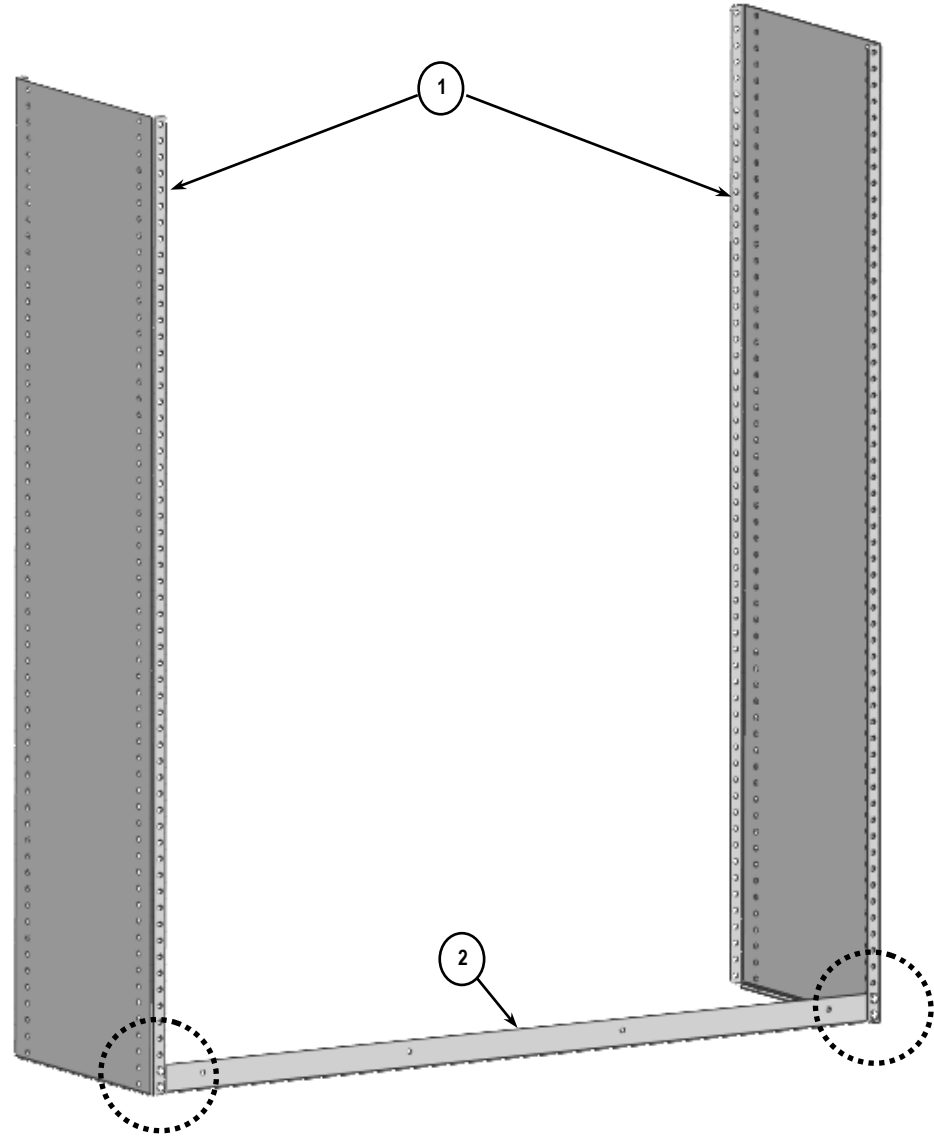
SHELVING MODULE	UPRIGHTS (SET OF 2) 1	FLOOR BRACE 2	METAL SHELF 3
027559KP [28H x 51W x 12D]	022348KP	025680KP	025572KP – QTY. 3
027560KP [36H x 51W x 12D]	022347KP	025680KP	025572KP – QTY. 3
027561KP [46H x 51W x 12D]	025367KP	025680KP	025572KP – QTY. 3
027568KP [60H x 51W x 12D]	026438KP	025680KP	025572KP – QTY. 5
027524KP [36H x 19W x 16D]	022473KP	023055KP	025153KP – QTY. 3
027531KP [60H x 19W x 16D]	026439KP	023055KP	025153KP – QTY. 5
022830KP [36H x 25W x 16D]	022473KP	023056KP	022816KP – QTY. 3
027570KP [60H x 25W x 16D]	026439KP	023056KP	022816KP – QTY. 5
022829KP [36H x 31W x 16D]	022473KP	023057KP	022398KP – QTY. 3
027571KP [60H x 31W x 16D]	026439KP	023057KP	022398KP – QTY. 5
022828KP [36H x 37W x 16D]	022473KP	023058KP	022397KP – QTY. 3
027572KP [60H x 37W x 16D]	026439KP	023058KP	022397KP – QTY. 5
022827KP [36H x 43W x 16D]	022473KP	023059KP	022396KP – QTY. 3
027573KP [60H x 43W x 16D]	026439KP	023059KP	022396KP – QTY. 5
027569KP [36H x 51W x 16D]	022473KP	025680KP	025571KP – QTY. 3
027574KP [60H x 51W x 16D]	026439KP	025680KP	025571KP – QTY. 5

ATTACHING FLOOR BRACE

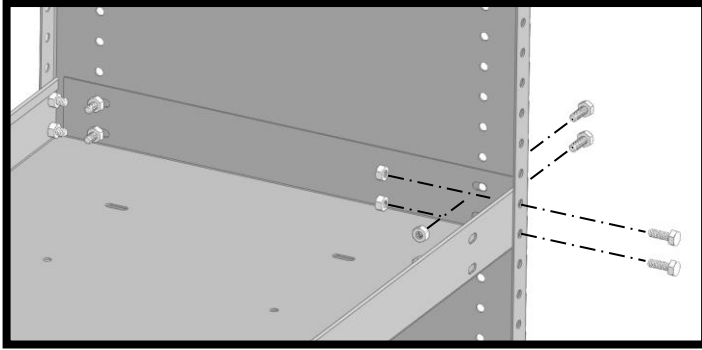


Attach as shown using:
(4) 1/4-20 x 3/4 Hex Head Screws
(4) 1/4-20 E-Stop Nuts

TORQUE SETTING:
Size - 1/4 = 7 - 9.5 Ft.-Lbs.

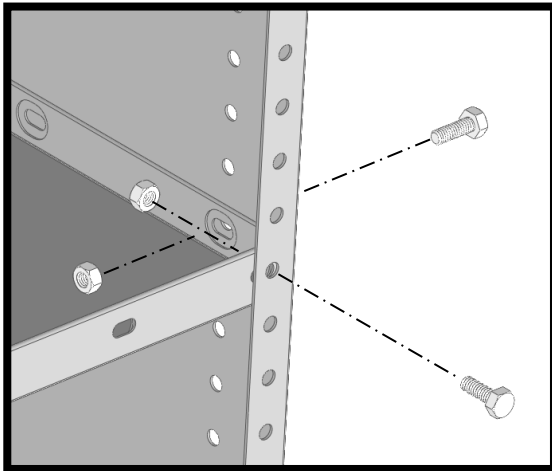


ATTACHING BOTTOM SHELF



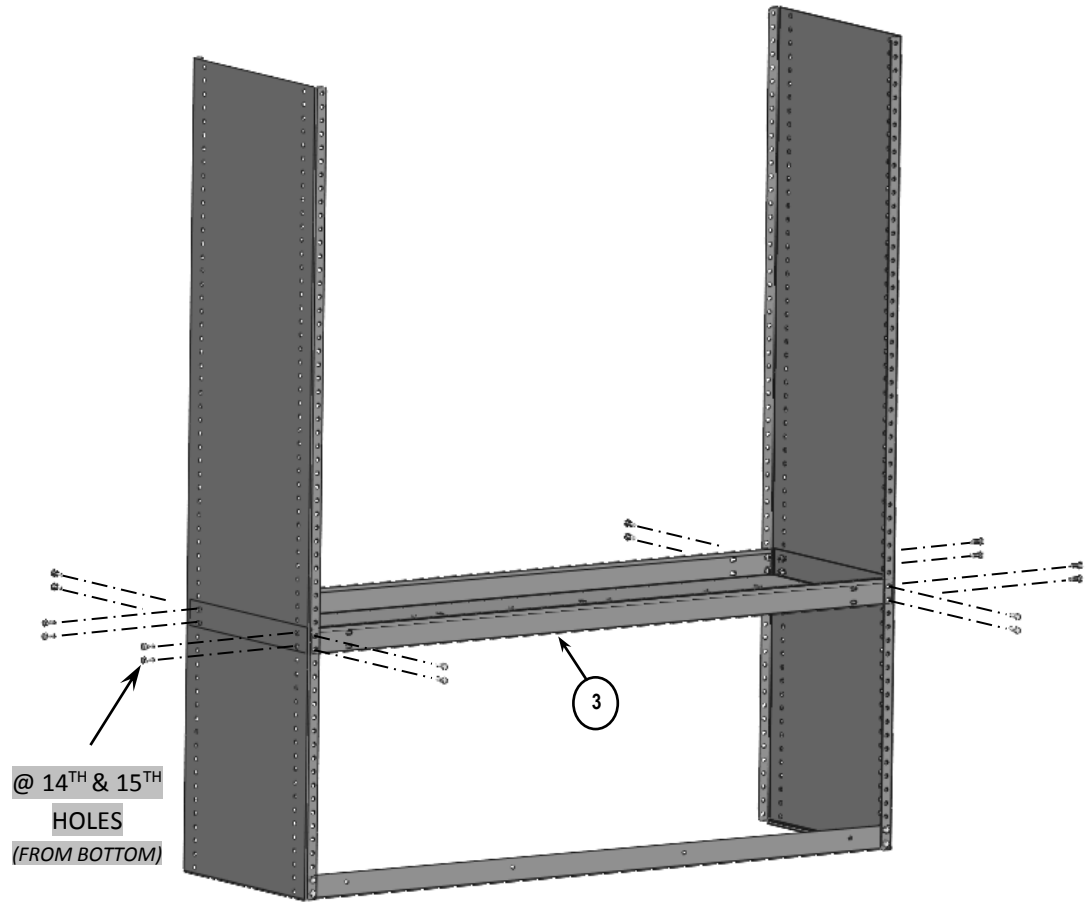
Attach **Heavy Duty Shelves** as shown using:
(16) 1/4-20 x 3/4 Hex Head Screws
(16) 1/4-20 E-Stop Nuts

TORQUE SETTING:
Size - 1/4 = 7 - 9.5 Ft.-Lbs.



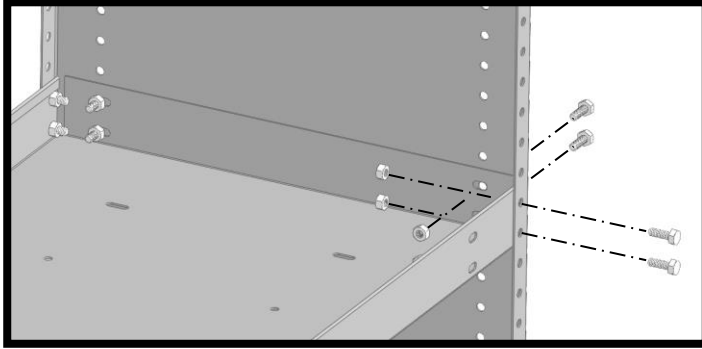
Attach **Standard Shelves** as shown, using:
(8) 1/4-20 x 3/4 Hex Head Screws
(8) 1/4-20 E-Stop Nuts

PER SHELF



@ 14TH & 15TH
HOLES
(FROM BOTTOM)

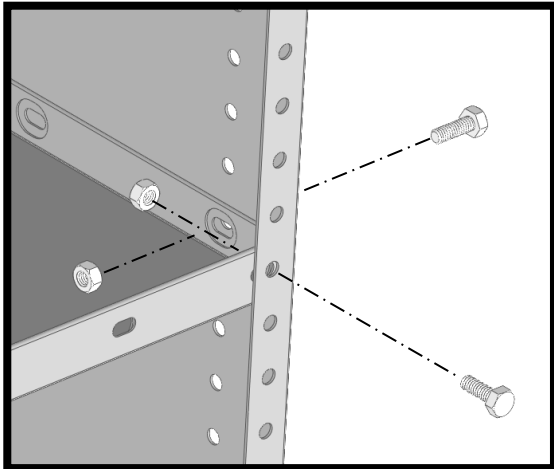
ATTACHING REMAINING SHELVES



Attach **Heavy Duty Shelves** as shown using:
(16) 1/4-20 x 3/4 Hex Head Screws
(16) 1/4-20 E-Stop Nuts

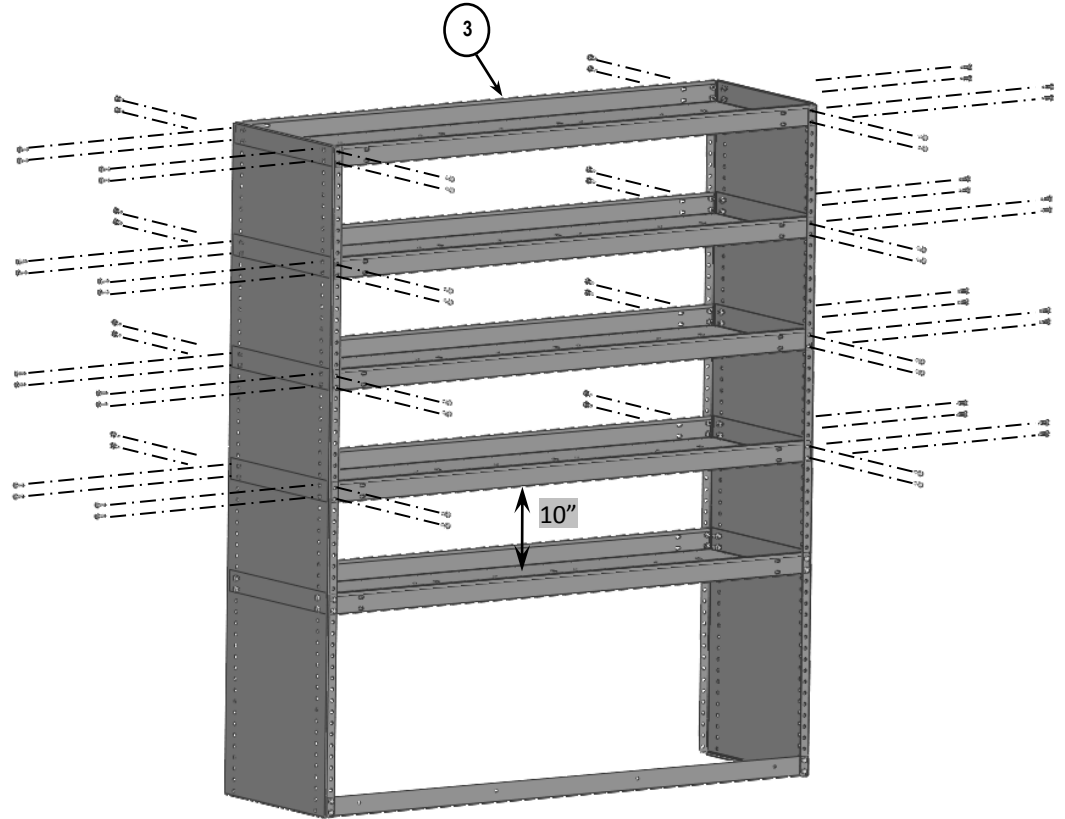
PER SHELF

TORQUE SETTING:
Size - 1/4 = 7 - 9.5 Ft.-Lbs.



Attach **Standard Shelves** as shown, using:
(8) 1/4-20 x 3/4 Hex Head Screws
(8) 1/4-20 E-Stop Nuts

PER SHELF



NOTE:

SHELVES ARE ADJUSTABLE TO FIT REQUIRED NEED.
MOUNTING LOCATIONS SHOWN ARE STANDARD
MOUNTING LOCATIONS 10 INCHES APART.

JOINING MODULES

(TYPICAL)

Join modules as shown using:
(2) 1/4-20 x 3/4 Hex Head Screws
(2) 1/4-20 E-Stop Nuts

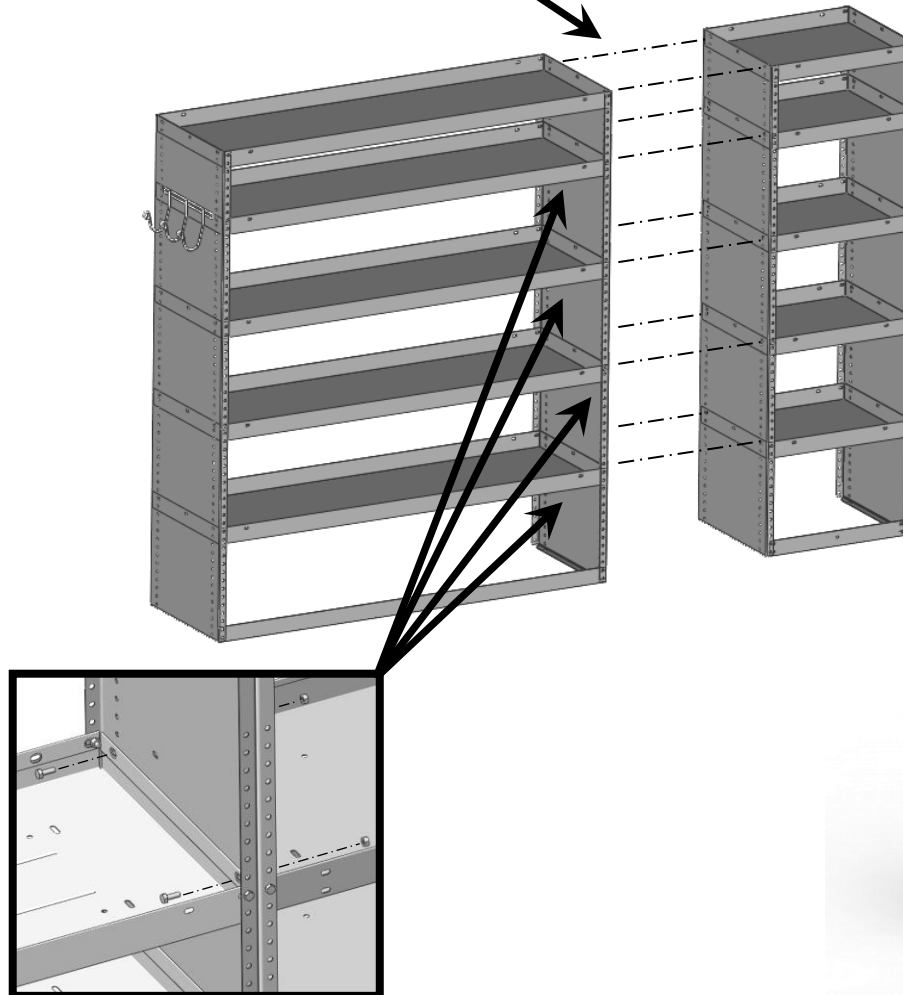
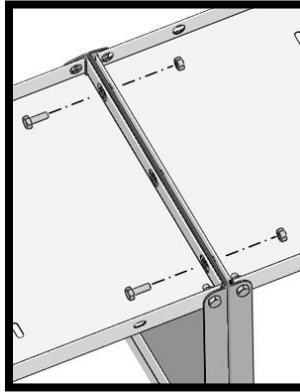
PER SHELF

NOTE: FOR MODULES WITH HEAVY DUTY SHELVES,

(4) 1/4-20 x 3/4 Hex Head Screws
(4) 1/4-20 E-Stop Nuts

PER SHELF

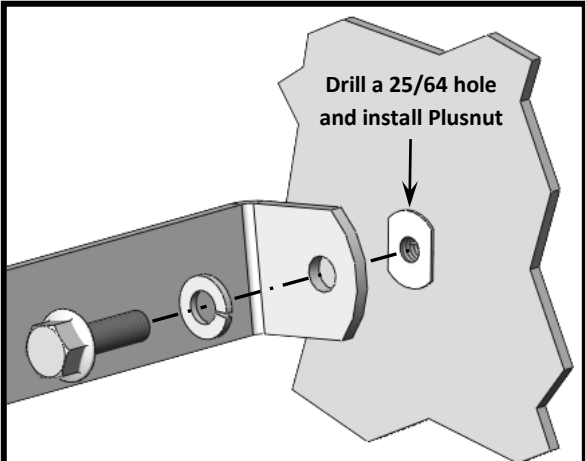
TORQUE SETTING:
Size - 1/4 = 7 - 9.5 Ft.-Lbs.



STANDARD INSTALLATION

BEFORE DRILLING

STOP CHECK ALL MOUNTING LOCATIONS TO PREVENT PENETRATING GAS LINES, GAS TANKS, BRAKE LINES, WIRING OR ANY OTHER STRUCTURE OF VEHICLE **STOP**



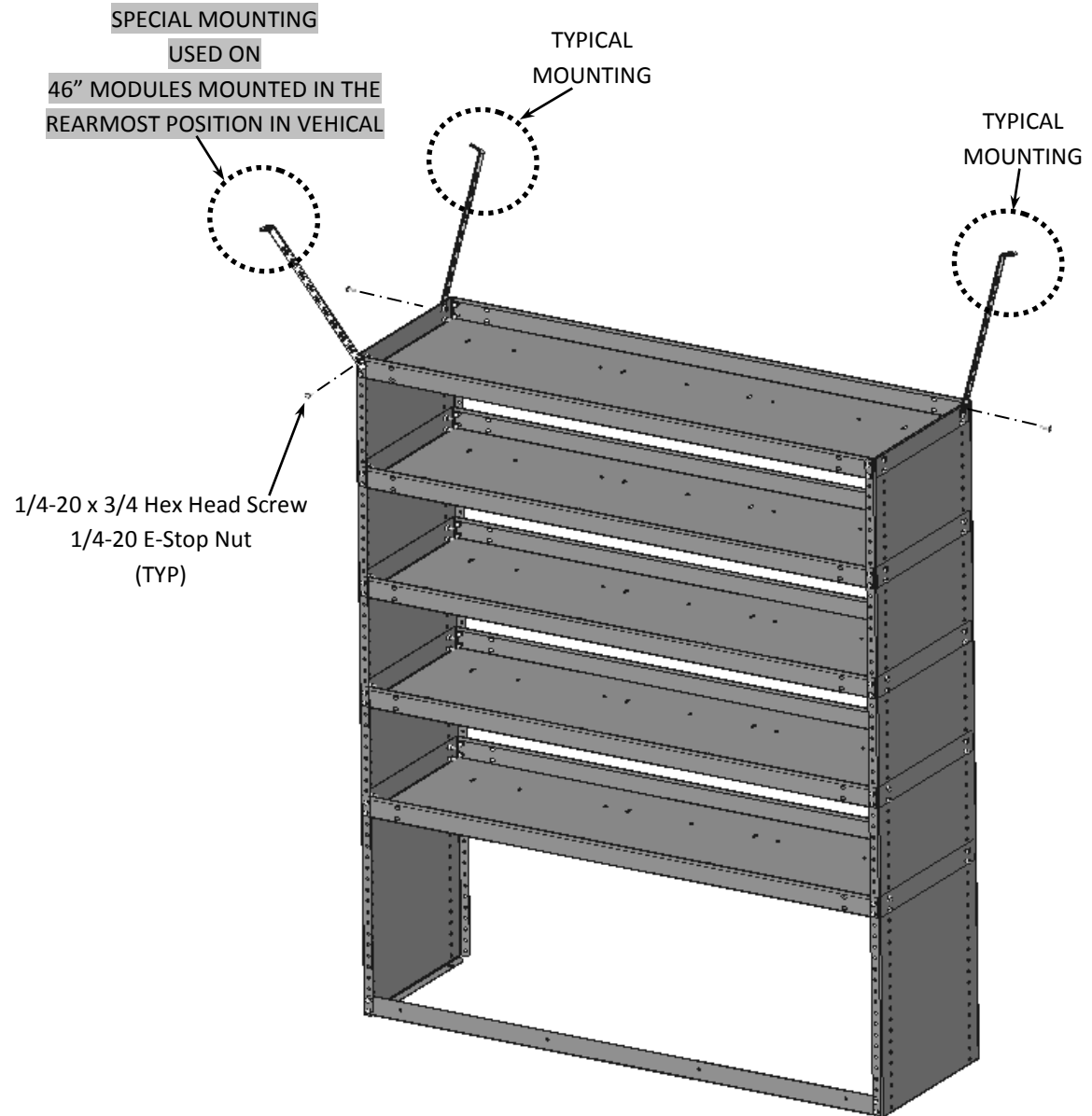
Drill a 25/64 hole and install Plusnut

With module properly positioned in desired location in vehicle, attach brackets loosely at the locations shown. Mark and drill 25/64 holes to install Plusnuts and secure as shown using:

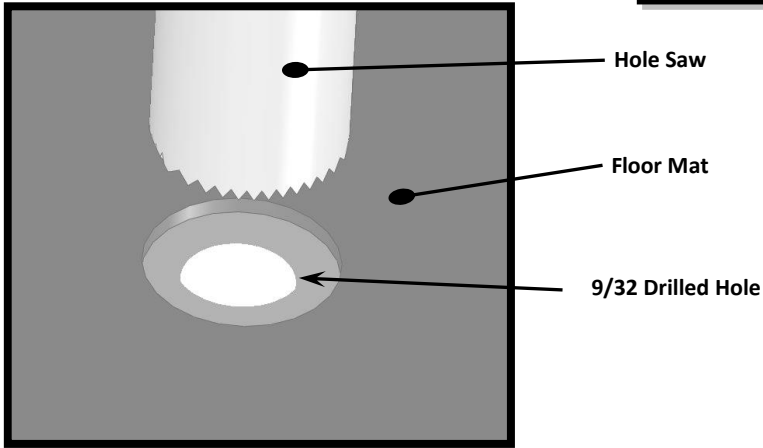
- (1) 1/4-20 x 1 1/4 Hex Head Screws
- (1) 1/4-20 Lock Washer

AT EACH MOUNTING LOCATON

TORQUE SETTING:
Size - 1/4 = 7 - 9.5 Ft.-Lbs.



STANDARD INSTALLATION

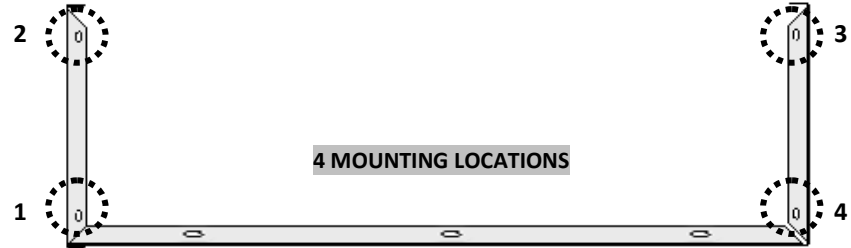


NOTE:

Using a 1-1/8" Hole Saw specially made for mat cutting, hole saw out all holes in the mat making sure to align hole saw with pre drilled holes. **Make sure not to drill through the metal floor of the van.** Once drilled clear out each area of excess debris

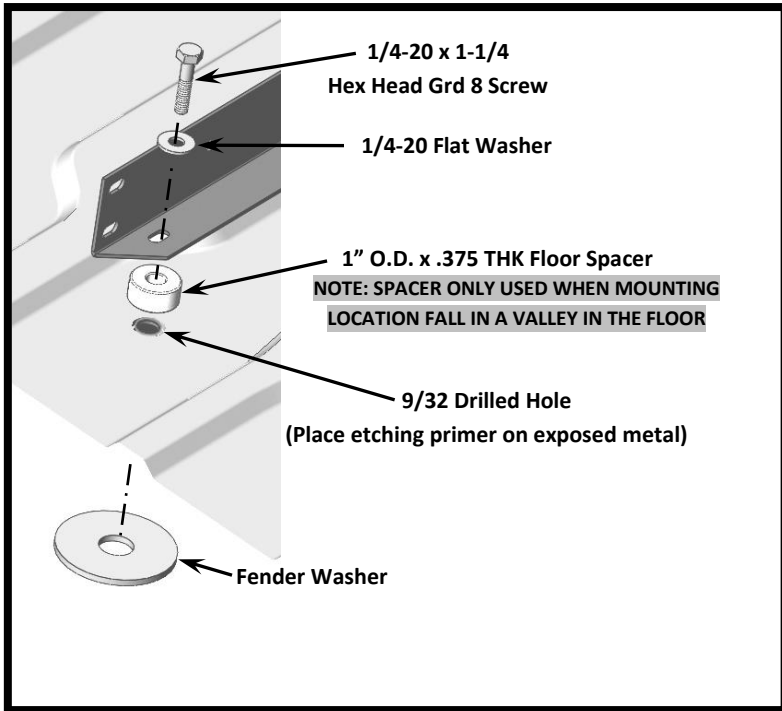
BEFORE DRILLING

STOP CHECK ALL MOUNTING LOCATIONS TO PREVENT PENETRATING GAS LINES, GAS TANKS, BRAKE LINES, WIRING OR ANY OTHER STRUCTURE OF VEHICLE **STOP**

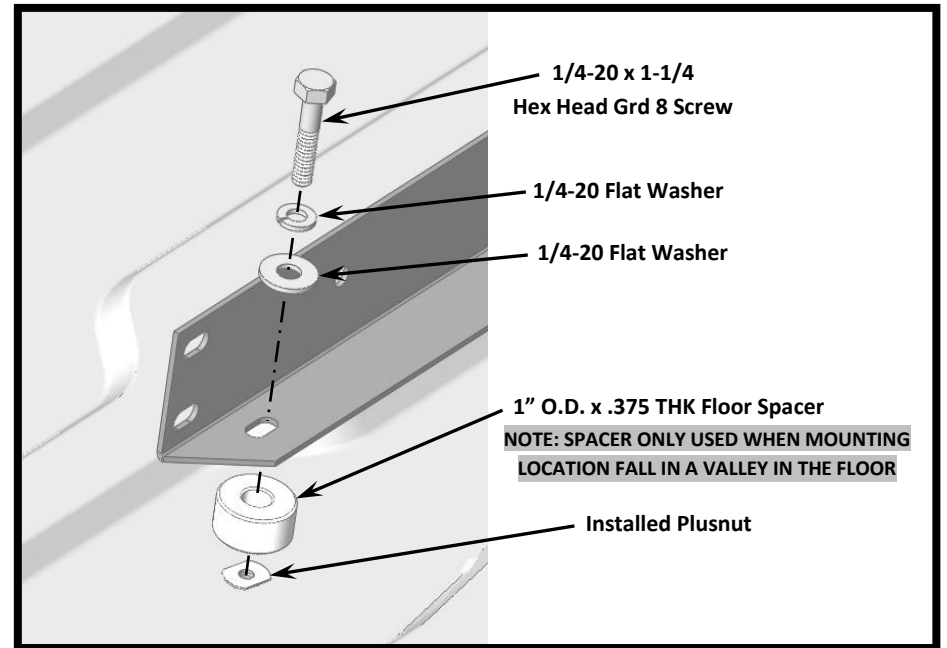


With module properly positioned attach module to floor of vehicle
Using either method described below.

NOTE: SPACER ONLY USED WHEN MOUNTING LOCATION FALL IN A VALLEY IN THE FLOOR



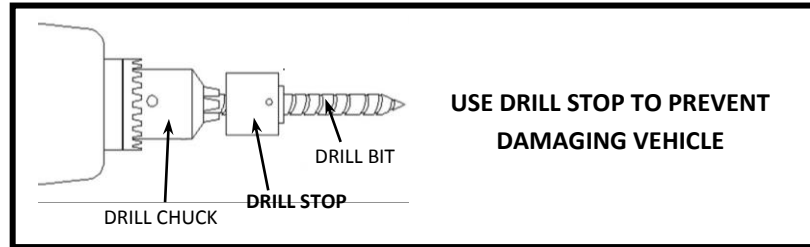
MOUNTING THROUGH FLOOR
(WHERE SPACE PERMITS UNDER VEHICLE)



MOUNTING WITH PLUSNUT
(LIMITED SPACE UNDER VEHICLE)
(SEE PAGE 11 FOR PLUSNUT INSTALLATION)

BEFORE DRILLING

STOP **CHECK ALL MOUNTING LOCATIONS TO PREVENT PENETRATING GAS LINES, GAS TANKS, BRAKE LINES, WIRING OR ANY OTHER STRUCTURE OF VEHICLE** **STOP**



The Plusnut® is pre-bulbed for easy installation

1

The Plusnut® is pre-assembled with hex cap and hex bolt. Then it is inserted into a pre-drilled hole

2

As the bolt is tightened, the Plusnut® upsets and provides outstanding blind fastening holding power

3

C-500 tool tightens bolt thru hex head cap into Plusnut® A ratchet, open-end or closed –end wrench can be used.

4

Fully upset Plusnut® provides a reliable nut plate for fastening.

5

CHECK EACH BOLT LOCATION
to ensure they are tightened to the specified torque setting.

TORQUE SETTING:
Size – 1/4 GRD 5 = 7- 9.6 Ft.-Lbs.
Size – 1/4 GRD 8 = 10- 13.5 Ft.-Lbs.

Masterack® Limited Warranty



Masterack® commercial van and pick up equipment is warranted to be free from defects in material and workmanship, under normal use and service for a period of one (1) year from date of purchase. Factory installations, and products installed in new vehicles by an authorized Masterack® installer are warranted for three (3) years or 36,000 miles (60,000KM), whichever comes first. **This warranty covers only repairs, or at Masterack's discretion, replacement to correct any defects related to materials and workmanship.**

This warranty does not apply to:

- Additions, alterations, or installations made by persons including dealers, other than Masterack® and it's authorized distributors, made in accordance with Masterack® specifications and / or instructions, nor to defects arising out of attribute to such additions, alterations or installations.
- Defects attributable to abuse or misuse of the product, misapplication, negligent accident, modification or tampering.
- Damage resulting from failure to promptly notify and comply with the instructions of the dealer or manufacturer about defects when noted.
- Any incidental or consequential damages connected with a defect, either while under warranty or afterward, including the cost of a rental truck and/or loss or revenue.

THIS WARRANTY IS THE ONLY WARRANTY APPLICABLE TO A MASTERACK PRODUCT PURCHASE. ALL OTHER WARRANTIES, EXPRESSED OR IMPLIED, INCLUDING BUT NOT LIMITED TO, THE IMPLIED WARRANTIES OR MERCHANTABILITY AND FITNESS FOR A PARTICULAR PURPOSE ARE DISCLAIMED. MASTERACK® AND ITS SUBSIDIARIES, SHALL NOT BE LIABLE FOR ANY INCIDENTAL OR CONSEQUENTIAL DAMAGES ARISING OUR OF ANY BREACH OF THIS WARRANTY, NOR SHALL THE DAMAGES EXCEED THE RETURN AMOUNT OF THE PURCHASE PRICE PAID BY THE ORIGINAL PURCHASER.

Warranty claims must be submitted to the either your sales representative or a customer service representative at 816-455-0218. The vehicle must be delivered to the original Masterack® authorized installer of the product or, if not practical, to a Masterack® authorized dealer for inspection and any warranty service. Any warranty service to be performed by a source other than a Masterack® location or an approved Masterack® distributor must be authorized in advance of the repairs by the Masterack® Warranty Administrator and a purchase order issued by Masterack® in advance or repairs for the authorized repairs.