

Utility Carrier

Reference: 02J056 (low roof RWB / LWB full size Ford Transit)
and 02J113 SINGLE FLAT CROSSBOW KIT LRFST

Important: Please read before proceeding.

Failure to assemble and install the components per the instructions and/or the mounting of ladders in excess of the recommended lengths and/or operating system other than in the recommend manner will void all expressed or implied warranties.

Maximum Ladder lengths on Ladder Racks

Approximate Roof bow spacing, front to rear is fixed due to OEM mounting locations.
 Ladder Length: 32' Extension Ladder

Recommended Tools: (will vary by rack model)

Wrench: 9/16"	Ratchet for socket(s)
Socket(s): 9/16"	
3/8" x 6' Extension	Stepladder
8 Foot Measuring Tape	Protective Cloth or Cardboard
Torque Wrench	13mm Socket

Item Description Qty Contents of 02J313 / 02J112

1	Side Stop, Utility Carrier	4
2	Bolt Thru Ladder Rack Foot	4
3	Crossbow 63" flat	2
4	3/8"-16 Lock Nut	20
5	3/8-16 x 1.00 Carriage Bolt	16
6	Washer Flat 3/8"	20
7	Anti-Seize Paste	1
8	Pad Rubber Tran Util Carrier	4

1	Washer Flat 5/16"	4 / 2
2	Bolt Hex Washer Head 8mm x 30mm	4 / 2

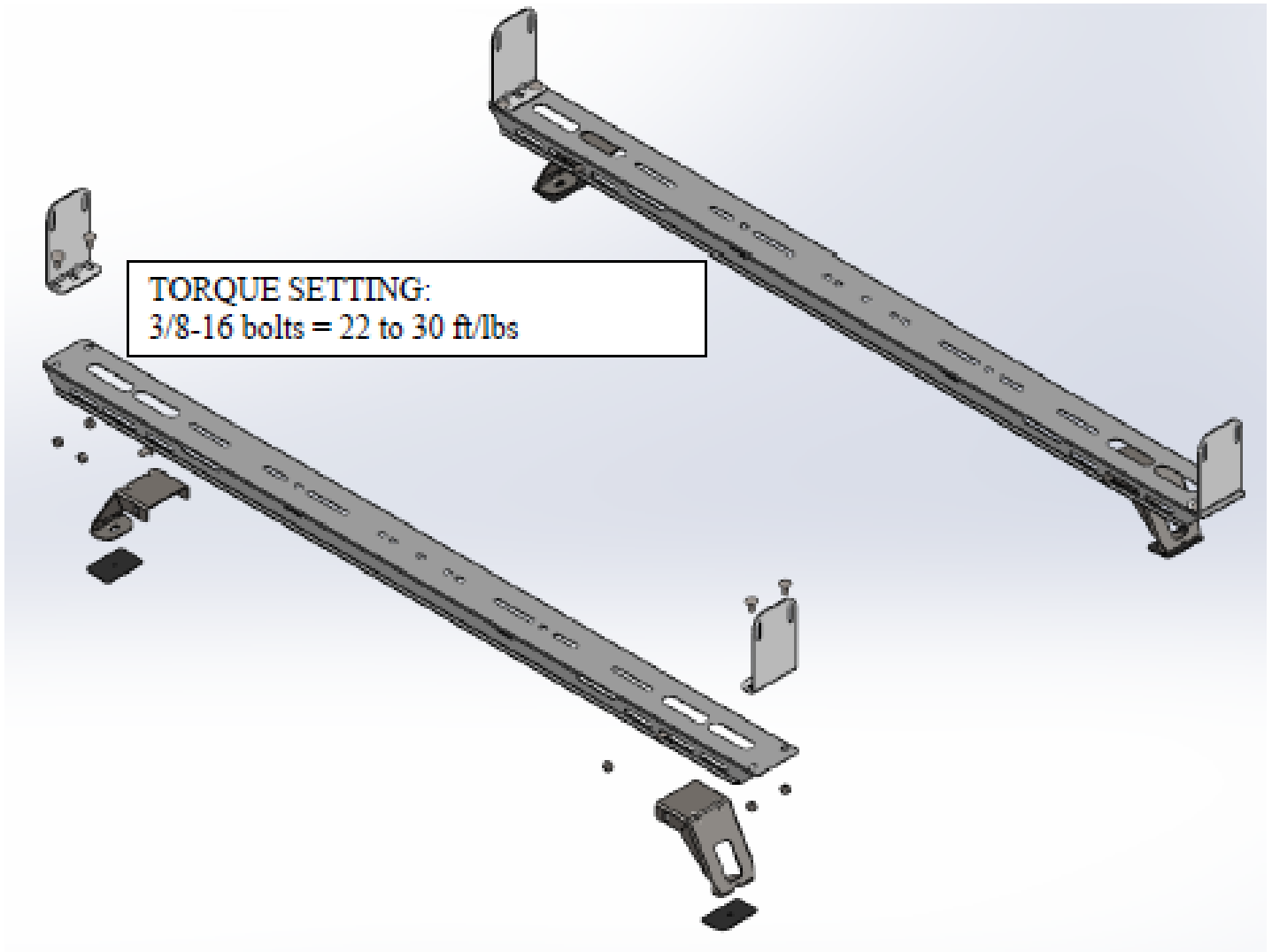
Quantities above will be reduced by half for single crossbow

Review this document to ensure that all parts and hardware are included in the package, before installation.
In the event that parts are missing please contact Masterack @ 1-800-222-8785, to re-order missing parts.

INSTALLATION PROCEDURE

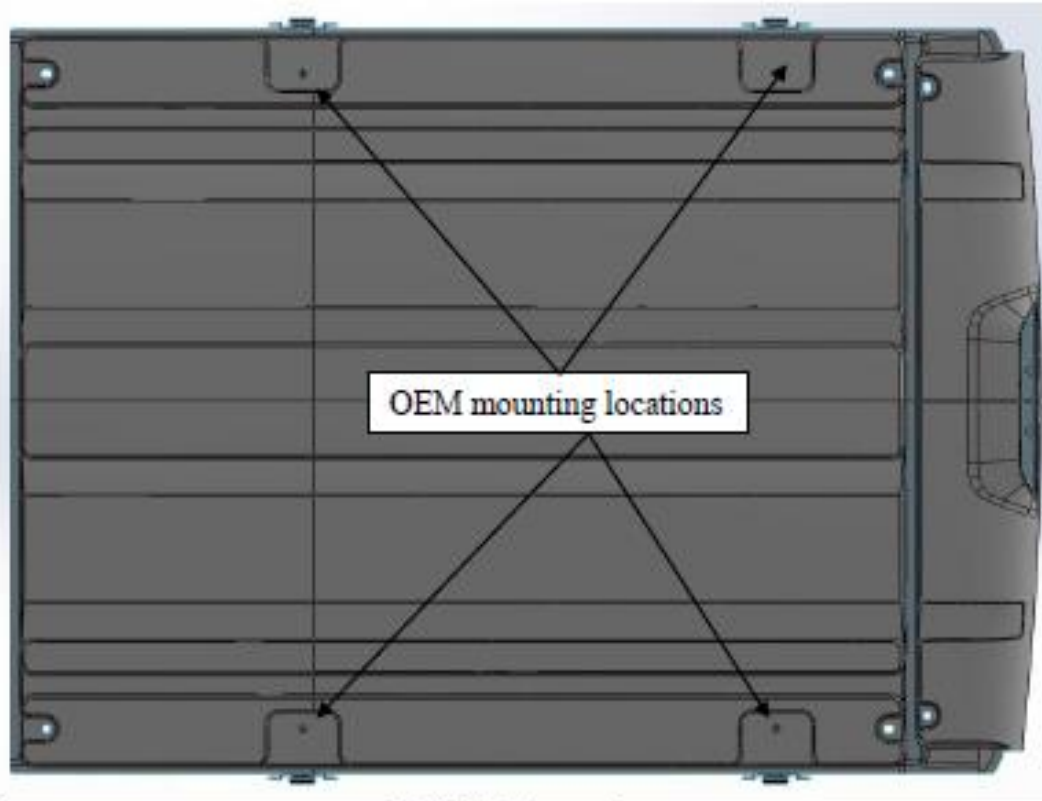


OEM Body mounting locations will determine distance between feet.

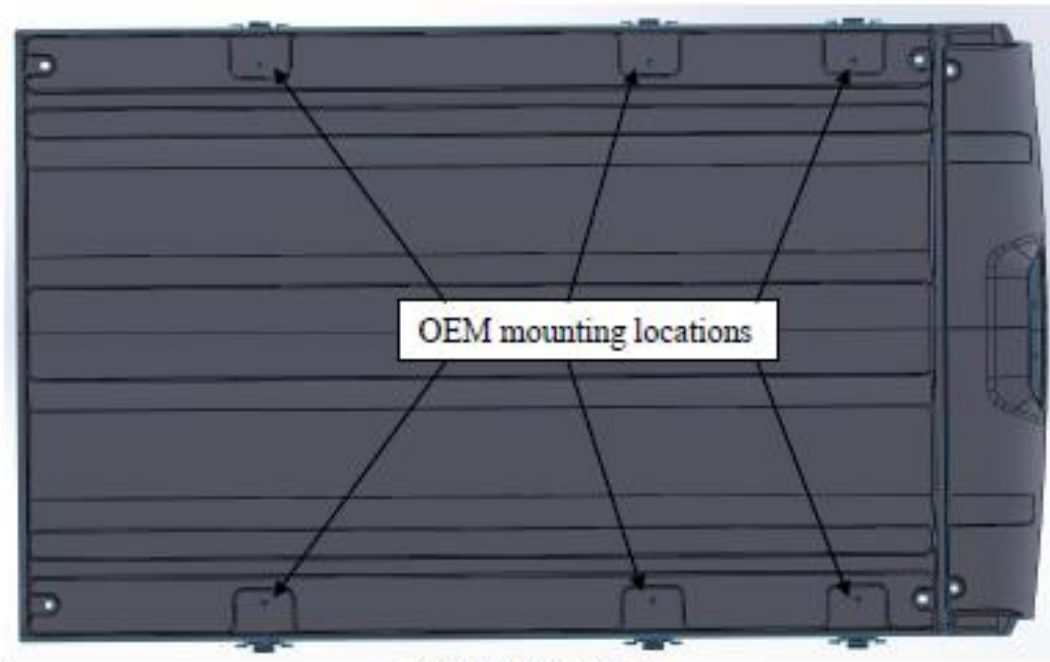


TORQUE SETTING:
3/8-16 bolts = 22 to 30 ft/lbs

Torque Specification: for M8 bolts = 20 Nm (15 lb. ft.)



130" WB Shown above



148" WB Shown Above

3. Use the metric (M8x30mm) hex head bolts and 5/16" washers to bolt the feet to the OEM body fasteners.
Notes: The use of Loctite Threadlocker #242, (or equivalent), is ***REQUIRED*** for the 8mm fasteners.
Use of silicone sealant highly recommended around OEM body holes to prevent water intrusion.

3 Year / 36,000 Mile Limited Warranty

MASTERACK® commercial van and pickup equipment is warranted to be free from defects in material and workmanship, under normal use and service for a period of one (1) year from date of purchase. Factory installations, and products installed in new vehicles by an authorized MASTERACK® installer are warranted for **(3) years or 36,000 miles (60,000 KM)**, whichever comes first. **This warranty covers only repairs, or at MASTERACKS' discretion, replacement to correct any defects related to materials and workmanship.**

This warranty does not apply to:

- Additions, alterations, or installations made by persons including dealers, other than MASTERACK® and its authorized distributors, made in accordance with MASTERACK® specifications and / or instructions, nor to defects arising out of attribute to such additions, alterations or installations.
- Defects attributable to abuse or misuse of the product, misapplication, negligent accident, modification or tampering.
- Damage resulting from failure to promptly notify and comply with the instructions of the dealer or manufacturer about defects when noted.
- Any incidental or consequential damages connected with a defect, either while under warranty or afterward, including the cost of a rental truck and / or loss of revenue.

THE WARRANTY IS THE ONLY WARRANTY APPLICABLE TO A MASTERACK PRODUCT PURCHASE. ALL OTHER WARRANTIES, EXPRESSED OR IMPLIED, INCLUDING BUT NOT LIMITED TO, THE IMPLIED WARRANTIES OF MERCHANTABILITY AND FITNESS FOR A PARTICULAR PURPOSE ARE DISCLAIMED. MASTERACK® AND ITS SUBSIDIARIES, SHALL NOT BE LIABLE FOR ANY INCIDENTAL OR CONSEQUENTIAL DAMAGES ARISING OUT OF ANY BREACH OF THIS WARRANTY, NOR SHALL THE DAMAGES EXCEED THE RETURN AMOUNT OF THE PURCHASE PRICE PAID BY THE ORIGINAL PURCHASER.

Warranty claims must be submitted to either your sales representative or a customer service representative at **1-800-222-8785**. The vehicle must be delivered to the original MASTERACK® authorized dealer for inspection and any warranty service. Any warranty service to be performed by a source other than MASTERACK® location or an approved MASTERACK® distributor must be authorized in advance of the repairs by the MASTERACK® Warranty Administrator and a purchase order issued by MASTERACK® in advance of repairs for the authorized repairs.