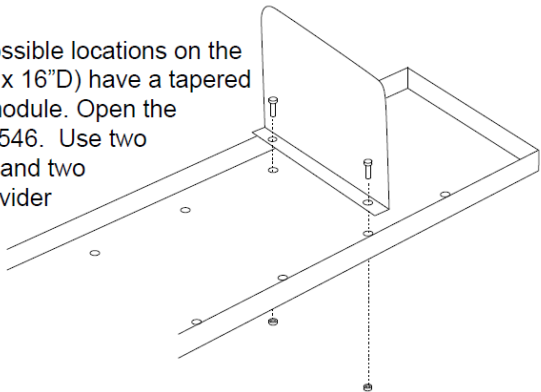


## SHELF DIVIDER INSTALLATION INSTRUCTIONS

**MR-8546/MR-8547/MR-8657**

Place shelf divider in one of the 5 possible locations on the shelf. Note: **MR-8657** Dividers (7"H x 16"D) have a tapered portion which faces the rear of the module. Open the hardware bag with the tag marked 8546. Use two 1/4-20 x 1/2" hex washer head screws and two 1/4" elastic stop nuts to attach the divider to the shelf as shown.



2400 Mellon Court, Decatur, GA 30035

Phone: 1-800-222-8785

[www.masterack.com](http://www.masterack.com)

REV. B  
RM470150