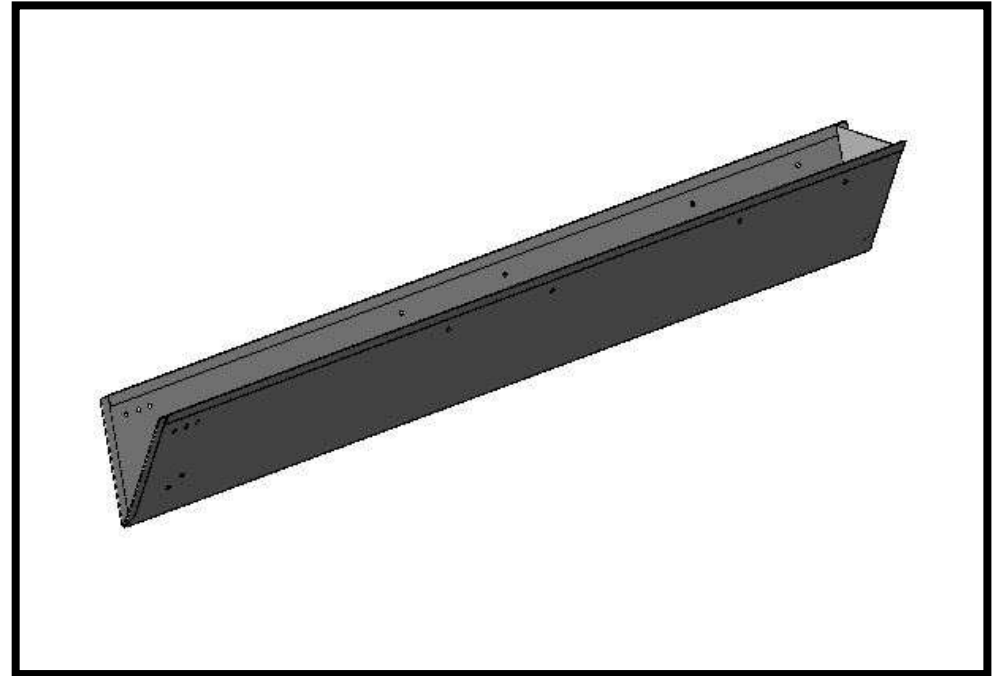


INSTALLATION INSTRUCTIONS

Bill of Materials

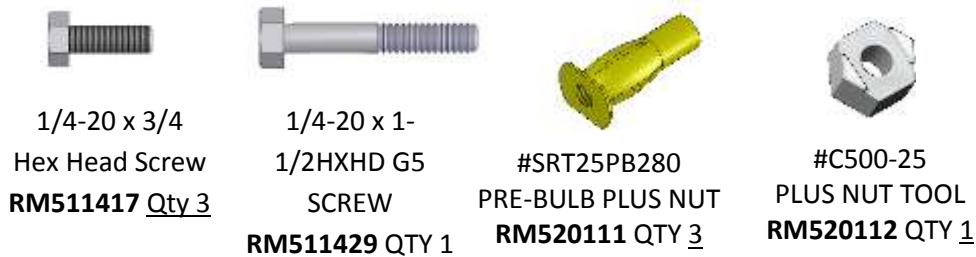
QTY	DESCRIPTION / PART NUMBER
1	LAY UP STICK TROUGH/ 020177



Recommended Tools



Hardware



LAY UP STICK TROUGH

PART NUMBER 020177

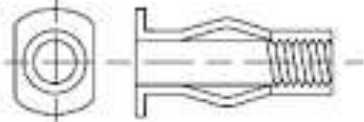
Review this document to ensure that all parts and hardware are included in the package, before installation.
 In the event that parts are missing please contact Masterack @ 1-800-222-8785, to re-order missing parts.


BEFORE DRILLING

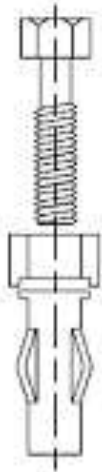

**CHECK ALL MOUNTING LOCATIONS TO PREVENT PENETRATING
 GAS LINES, GAS TANKS, BRAKE LINES, WIRING OR ANY OTHER STRUCTURE OF VEHICLE**

Plusnut Installation

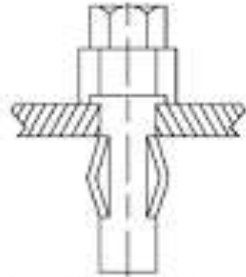
1. The Plusnut is pre-bulbed for easy installation.



2. The Plusnut is preassembled with a hex cap and hex bolt. Then it is inserted into a predrilled hole.



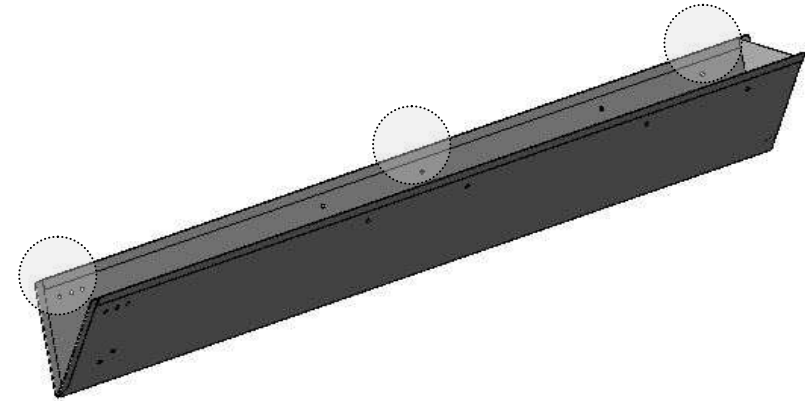
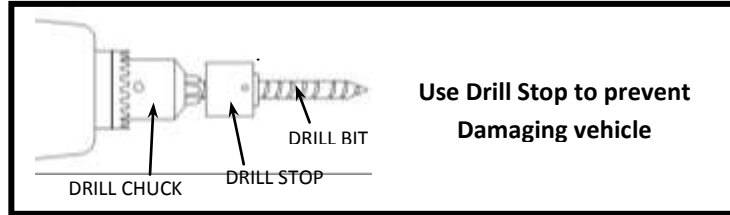
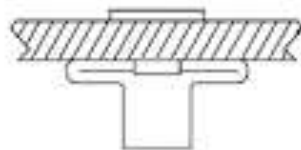
3. As the bolt is tightened, the Plusnut upsets and provides outstanding fastening holding power.



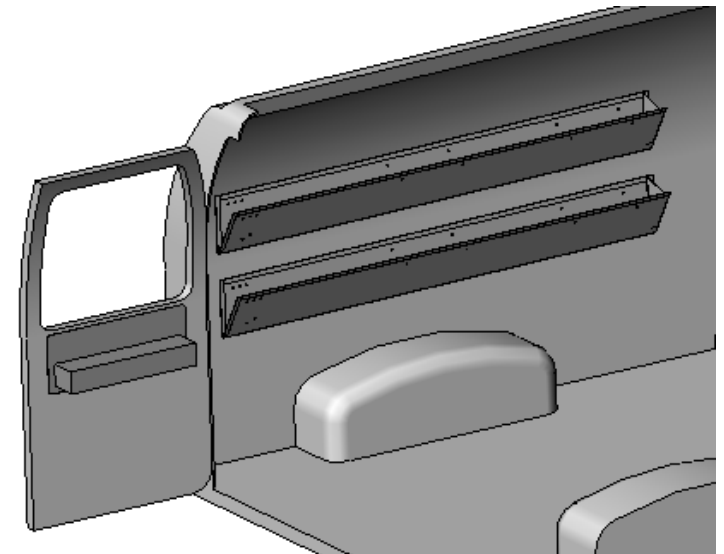
4. The C-500 Plusnut tool tightens bolt through hex head cap into Plusnut. A ratchet, open-end or closed-end wrench can be used.



5. A fully upset Plusnut provides a reliable nut for fastening.



Place Troughs in vehicle to mark (3) mounting locations along the street side if the van as shown preferably at Pillars. Mark locations and install 1/4 Plusnuts (See Fig 4)



Masterack® Limited Warranty



Masterack® commercial van and pick up equipment is warranted to be free from defects in material and workmanship, under normal use and service for a period of one (1) year from date of purchase. Factory installations, and products installed in new vehicles by an authorized Masterack® installer are warranted for three (3) years or 36,000 miles (60,000KM), whichever comes first. **This warranty covers only repairs, or at Masterack's discretion, replacement to correct any defects related to materials and workmanship.**

This warranty does not apply to:

- Additions, alterations, or installations made by persons including dealers, other than Masterack® and its authorized distributors, made in accordance with Masterack® specifications and / or instructions, nor to defects arising out of attribute to such additions, alterations or installations.
- Defects attributable to abuse or misuse of the product, misapplication, negligent accident, modification or tampering.
- Damage resulting from failure to promptly notify and comply with the instructions of the dealer or manufacturer about defects when noted.
- Any incidental or consequential damages connected with a defect, either while under warranty or afterward, including the cost of a rental truck and/or loss or revenue.

THIS WARRANTY IS THE ONLY WARRANTY APPLICABLE TO A MASTERACK PRODUCT PURCHASE. ALL OTHER WARRANTIES, EXPRESSED OR IMPLIED, INCLUDING BUT NOT LIMITED TO, THE IMPLIED WARRANTIES OR MERCHANTABILITY AND FITNESS FOR A PARTICULAR PURPOSE ARE DISCLAIMED. MASTERACK® AND ITS SUBSIDIARIES, SHALL NOT BE LIABLE FOR ANY INCIDENTAL OR CONSEQUENTIAL DAMAGES ARISING OUT OF ANY BREACH OF THIS WARRANTY, NOR SHALL THE DAMAGES EXCEED THE RETURN AMOUNT OF THE PURCHASE PRICE PAID BY THE ORIGINAL PURCHASER.

Warranty claims must be submitted to the either your sales representative or a customer service representative at 816-455-0218. The vehicle must be delivered to the original Masterack® authorized installer of the product or, if not practical, to a Masterack® authorized dealer for inspection and any warranty service. Any warranty service to be performed by a source other than a Masterack® location or an approved Masterack® distributor must be authorized in advance of the repairs by the Masterack® Warranty Administrator and a purchase order issued by Masterack® in advance or repairs for the authorized repairs.