

ASSEMBLY / INSTALLATION INSTRUCTIONS

Recommended Tools



AIR / HAND RATCHET



7/16" SOCKET
M8 SOCKET



7/16" COMBO WRENCH
M8 COMBO WRENCH



TORQUE WRENCH

Hardware



1/4-20x.5
HX WASH HD



SCREW M6-1.00X25
HX WASH HD



SCREW M8-1.25X35
HX WASH HD



1/4
FLAT WASHER



M8 ZINC
FLAT WASHER



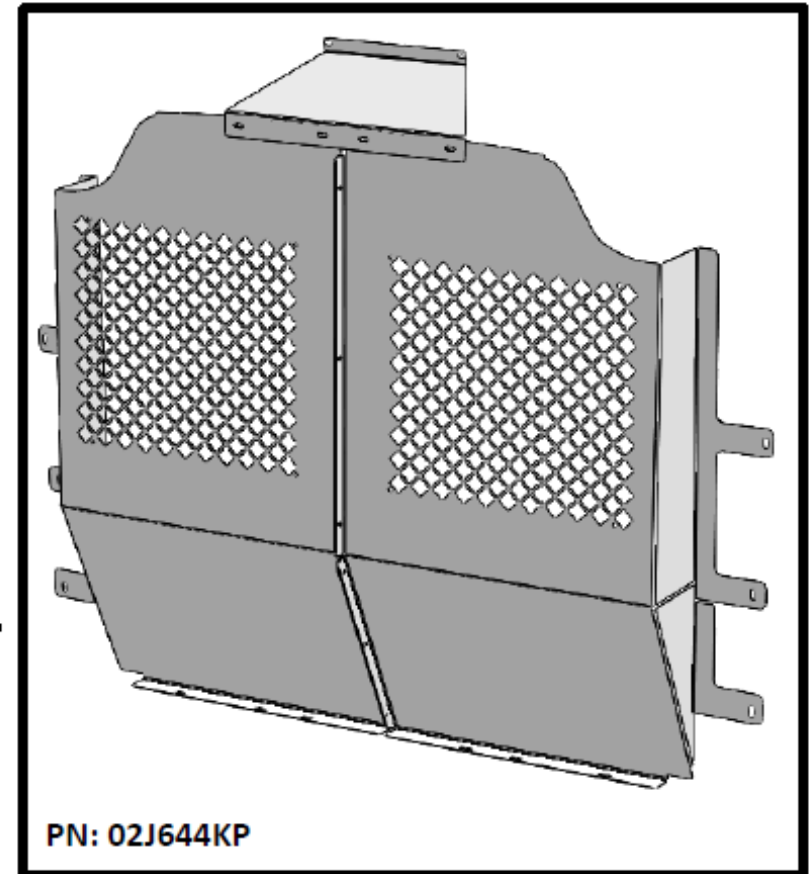
1/4-20
E-STOP NUT



1/4
LOCK
WASHER



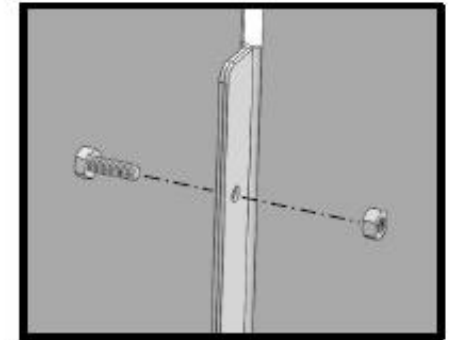
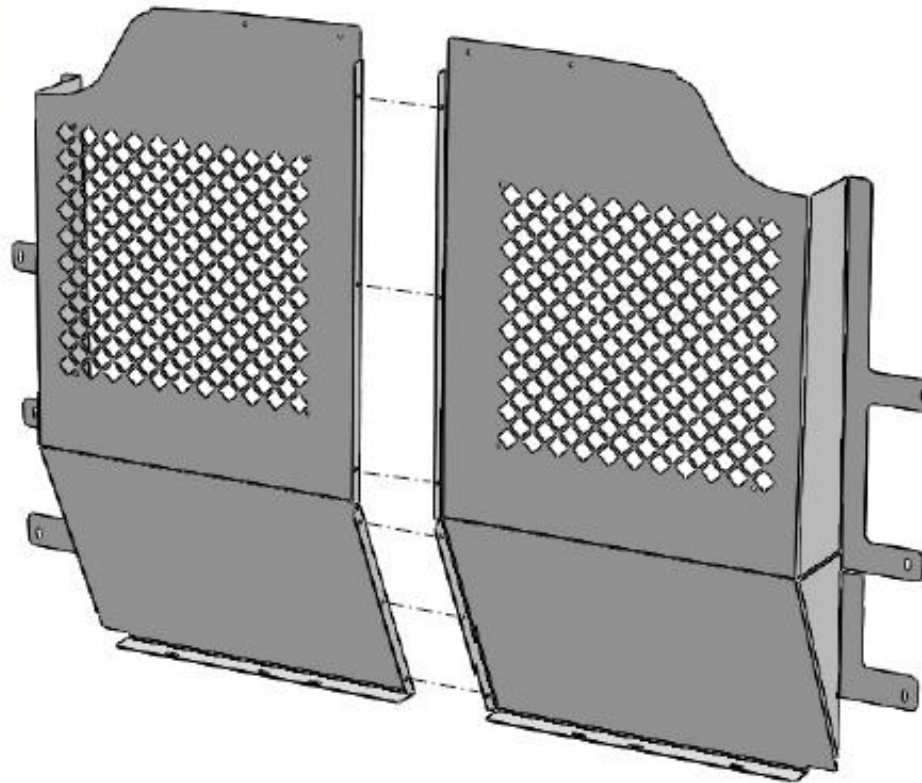
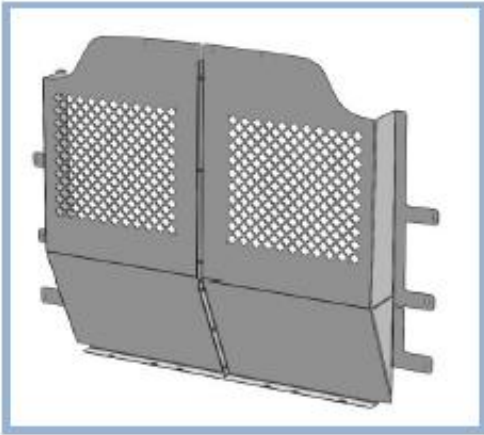
5/16
LOCK
WASHER



PROMASTER CITY STEEL PARTITION

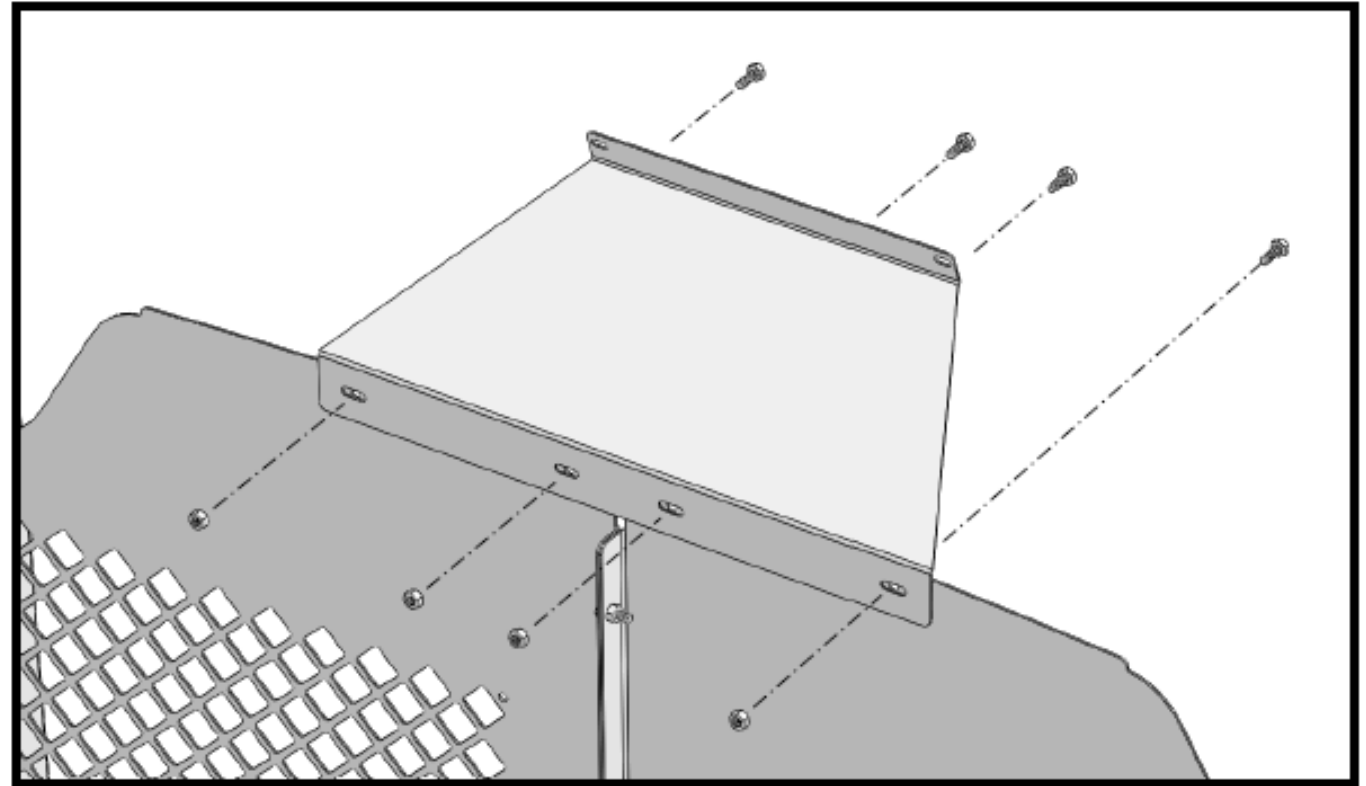
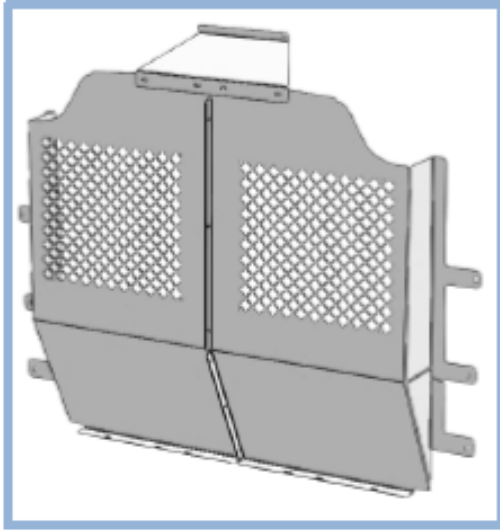
Review this document to ensure that all parts and hardware are included in the package, before installation.
In the event that parts are missing please contact Masterack @ 1-800-222-8785, to re-order missing parts.

ASSEMBLING THE PARTITION



SECURE AS SHOWN USING:

- (6) 1/4-20 x .5 HWH Screws
- (6) 1/4-20 E-Stop Nuts



SECURE AS SHOWN USING:

- (4) 1/4-20 x .5 HWH Screws
- (4) 1/4-20 E-Stop Nuts

INSTALLING THE PARTITION

1. POSITION ASSEMBLED PARTITION IN VEHICLE.
2. MARK THE LOCATION AND OUTLINE OF THE SIDE TABS ON THE B-PILLAR TRIM WITH A PENCIL.
3. CUT JUST THE TRIM WHERE THE TABS WILL BE ON THE B-PILLAR TRIM.
4. SECURE PARTITION AS SHOWN BELOW

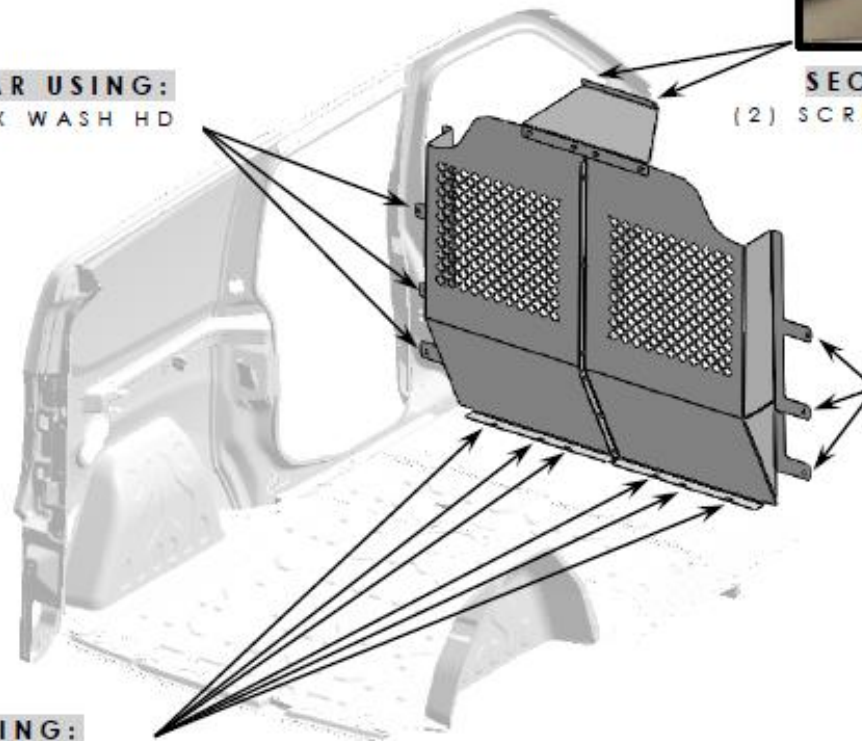


SECURE @ LEFT B-PILLAR USING:

(3) SCREW M6-1.25X25 HX WASH HD

SECURE TOP PANEL USING:

(2) SCREW M6-1.25X25 HX WASH HD



SECURE @ RIGHT B-PILLAR USING:

(3) SCREW M6-1.25X25 HX WASH HD

SECURE @ FLOOR USING:

(6) SCREW M8-1.25X35 HX WASH HD

Masterack® Limited Warranty



Masterack® commercial van and pick up equipment is warranted to be free from defects in material and workmanship, under normal use and service for a period of one (1) year from date of purchase. Factory installations, and products installed in new vehicles by an authorized Masterack® installer are warranted for three (3) years or 36,000 miles (60,000KM), whichever comes first. **This warranty covers only repairs, or at Masterack's discretion, replacement to correct any defects related to materials and workmanship.**

This warranty does not apply to:

- Additions, alterations, or installations made by persons including dealers, other than Masterack® and its authorized distributors, made in accordance with Masterack® specifications and / or instructions, nor to defects arising out of attribute to such additions, alterations or installations.
- Defects attributable to abuse or misuse of the product, misapplication, negligent accident, modification or tampering.
- Damage resulting from failure to promptly notify and comply with the instructions of the dealer or manufacturer about defects when noted.
- Any incidental or consequential damages connected with a defect, either while under warranty or afterward, including the cost of a rental truck and/or loss of revenue.

THIS WARRANTY IS THE ONLY WARRANTY APPLICABLE TO A MASTERACK PRODUCT PURCHASE. ALL OTHER WARRANTIES, EXPRESSED OR IMPLIED, INCLUDING BUT NOT LIMITED TO, THE IMPLIED WARRANTIES OF MERCHANTABILITY AND FITNESS FOR A PARTICULAR PURPOSE ARE DISCLAIMED. MASTERACK® AND ITS SUBSIDIARIES, SHALL NOT BE LIABLE FOR ANY INCIDENTAL OR CONSEQUENTIAL DAMAGES ARISING OUT OF ANY BREACH OF THIS WARRANTY, NOR SHALL THE DAMAGES EXCEED THE RETURN AMOUNT OF THE PURCHASE PRICE PAID BY THE ORIGINAL PURCHASER.

Warranty claims must be submitted to either your sales representative or a customer service representative at 816-455-0218. The vehicle must be delivered to the original Masterack® authorized installer of the product or, if not practical, to a Masterack® authorized dealer for inspection and any warranty service. Any warranty service to be performed by a source other than a Masterack® location or an approved Masterack® distributor must be authorized in advance of the repairs by the Masterack® Warranty Administrator and a purchase order issued by Masterack® in advance of repairs for the authorized repairs.