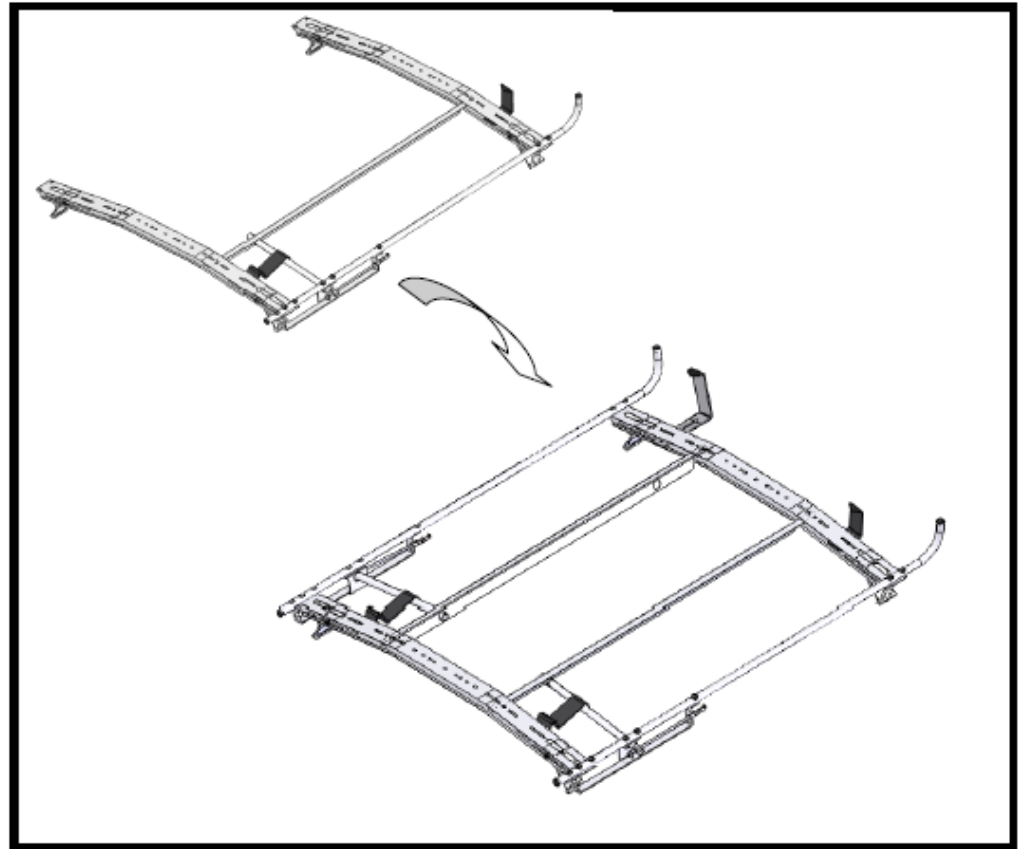
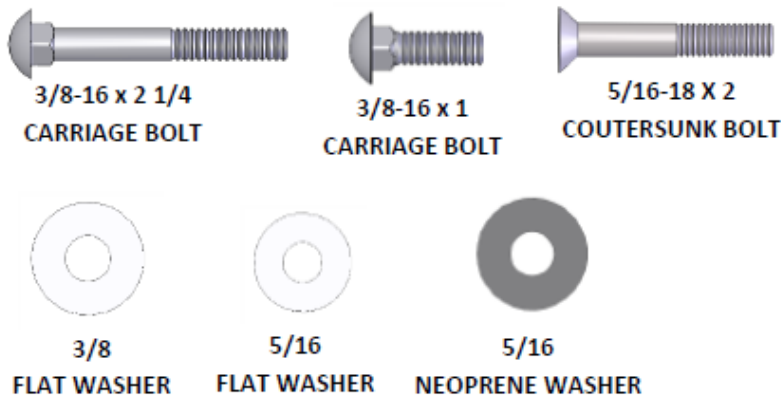


ASSEMBLY / INSTALLATION INSTRUCTIONS

Recommended Tools



Hardware

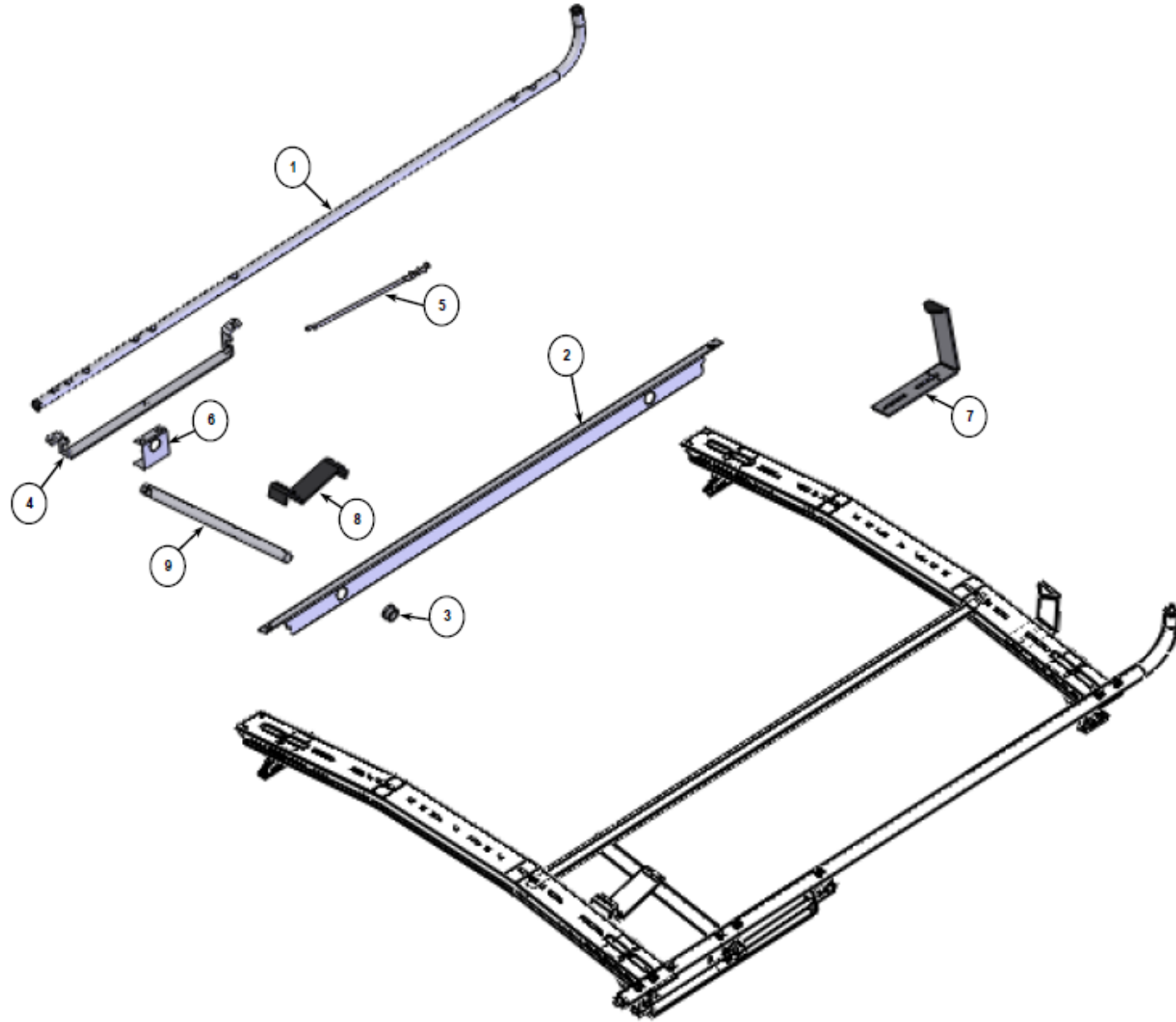


STREETSIDE LOCKDOWN

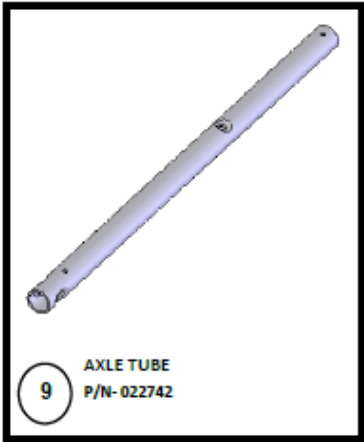
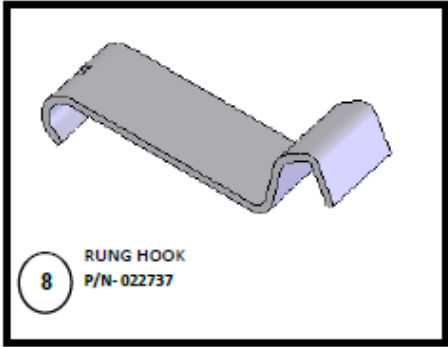
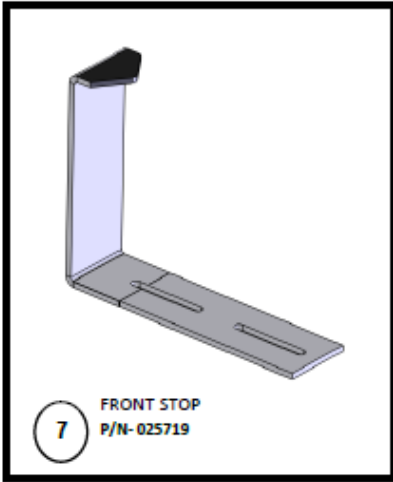
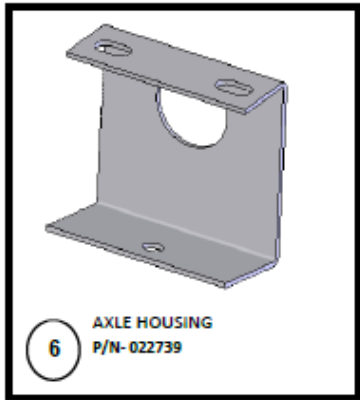
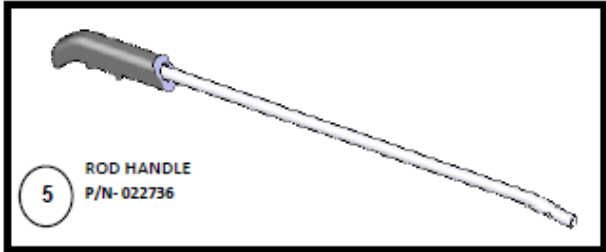
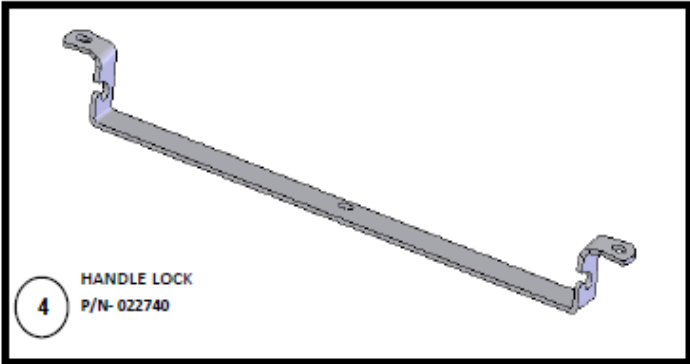
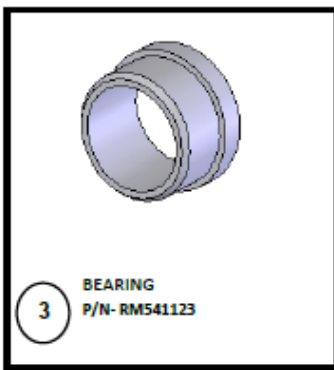
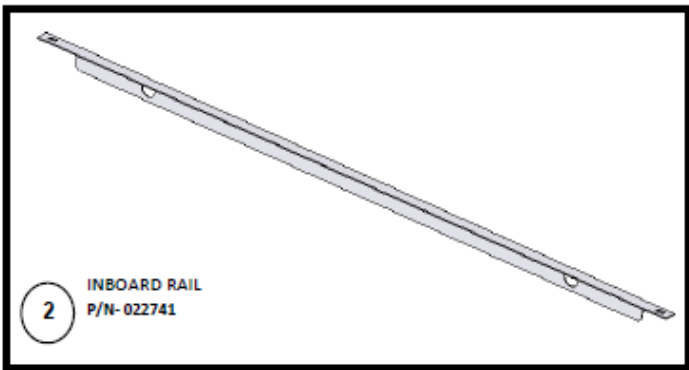
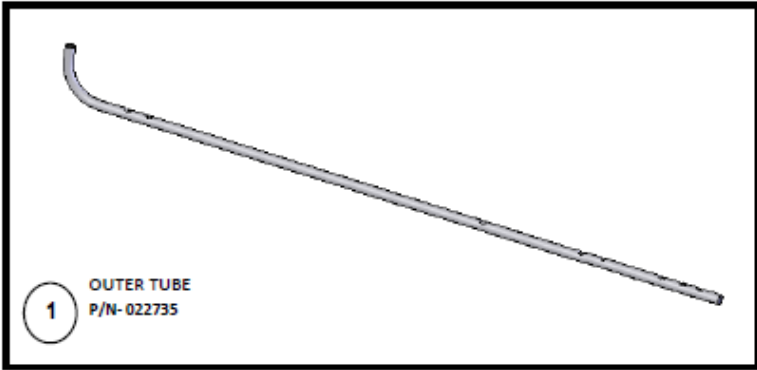
021226KP

Review this document to ensure that all parts and hardware are included in the package, before installation.
In the event that parts are missing please contact Masterack @ 1-800-222-8785, to re-order missing parts.

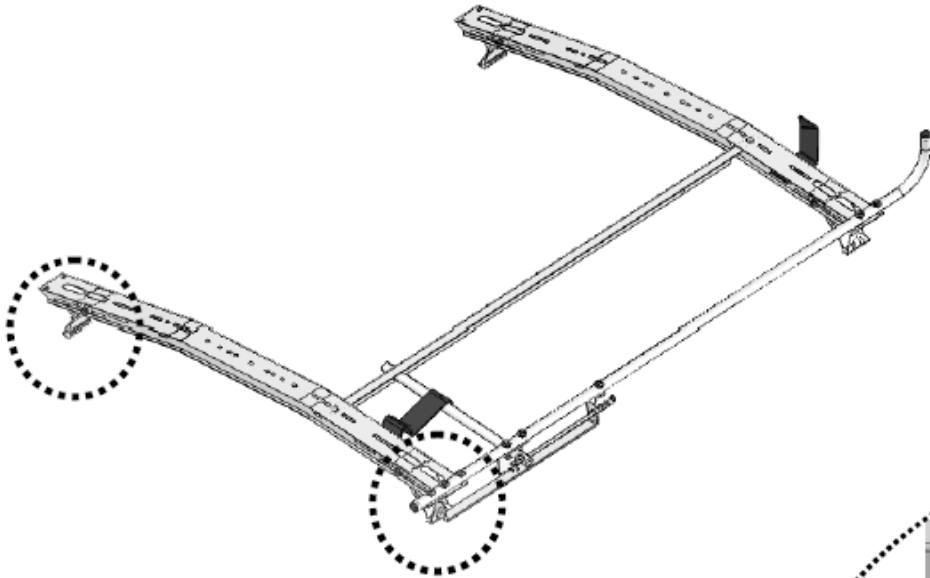
EXPLODED VIEW



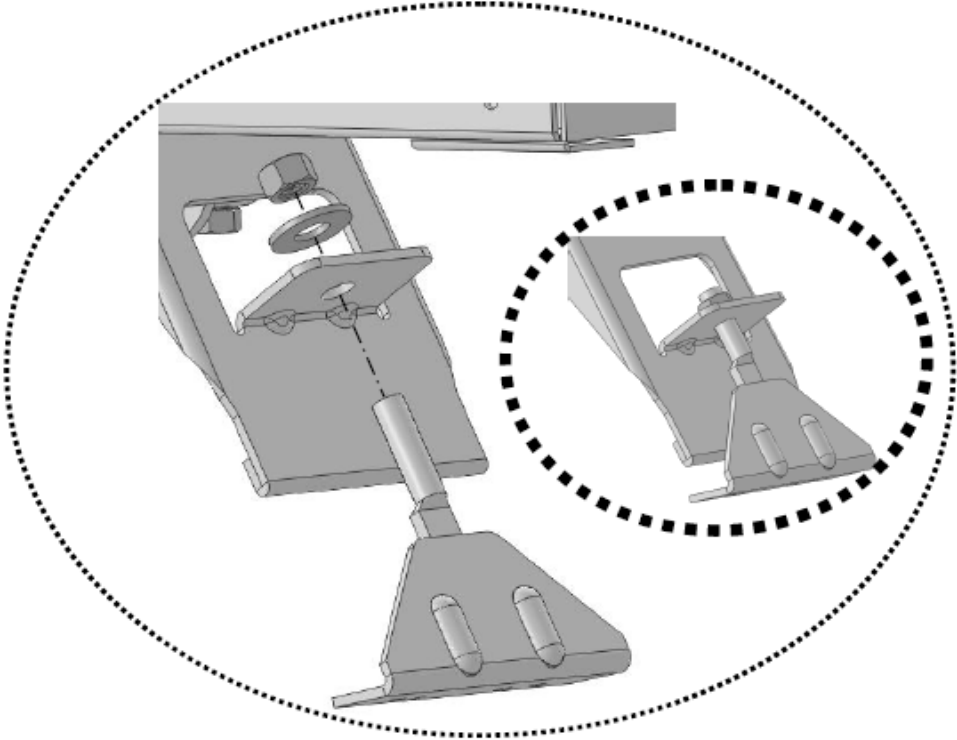
COMPONENTS



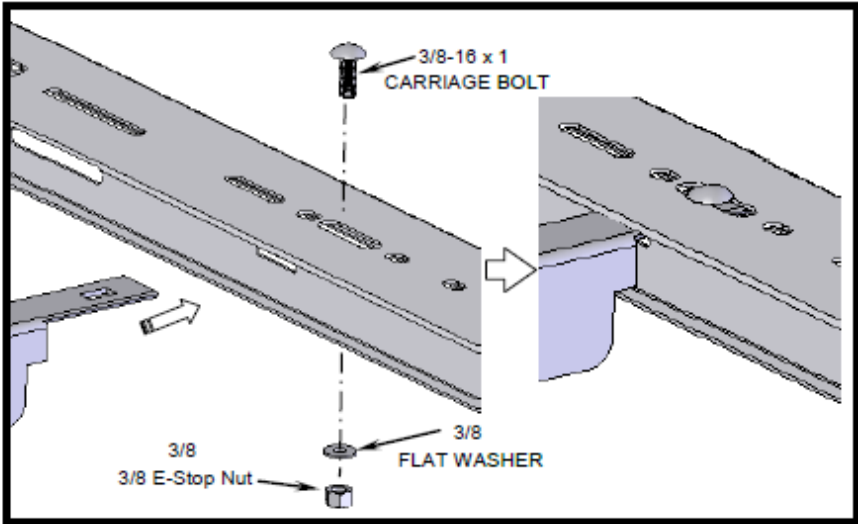
LOOSENING REAR OUTER CLAMPS



If Ladder Rack is mounted on vehicle,
Loosen Rear OUTER CLAMPS to allow enough movement of Crossbar
to insert Inboard Rail.

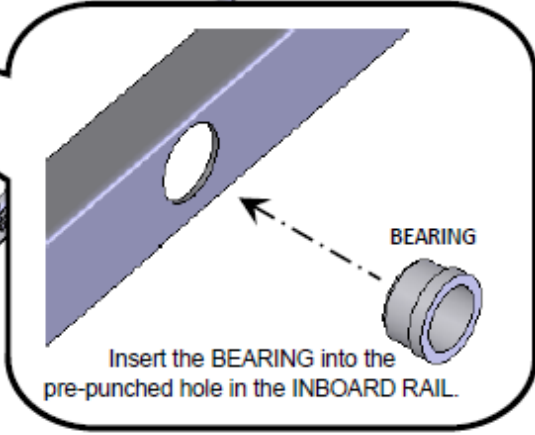
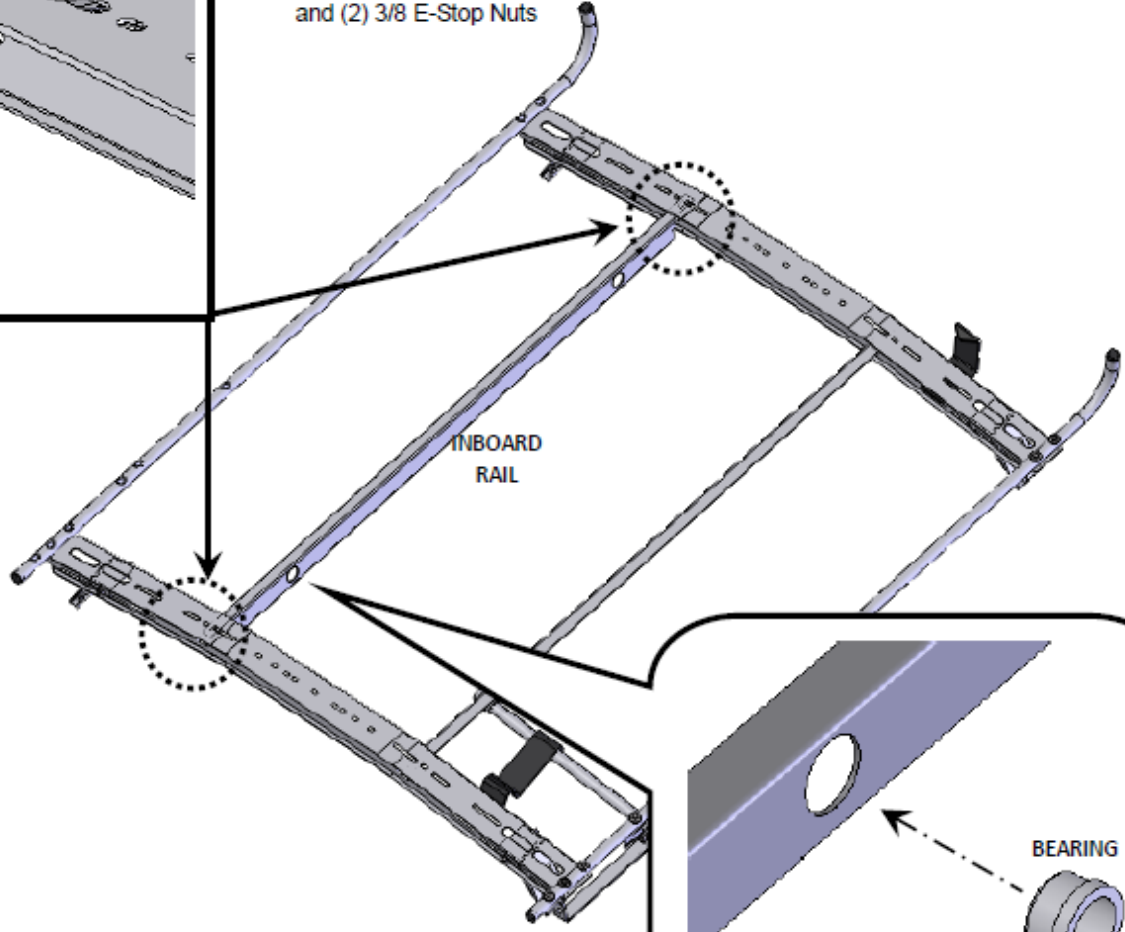


ATTACHING INBOARD RAIL

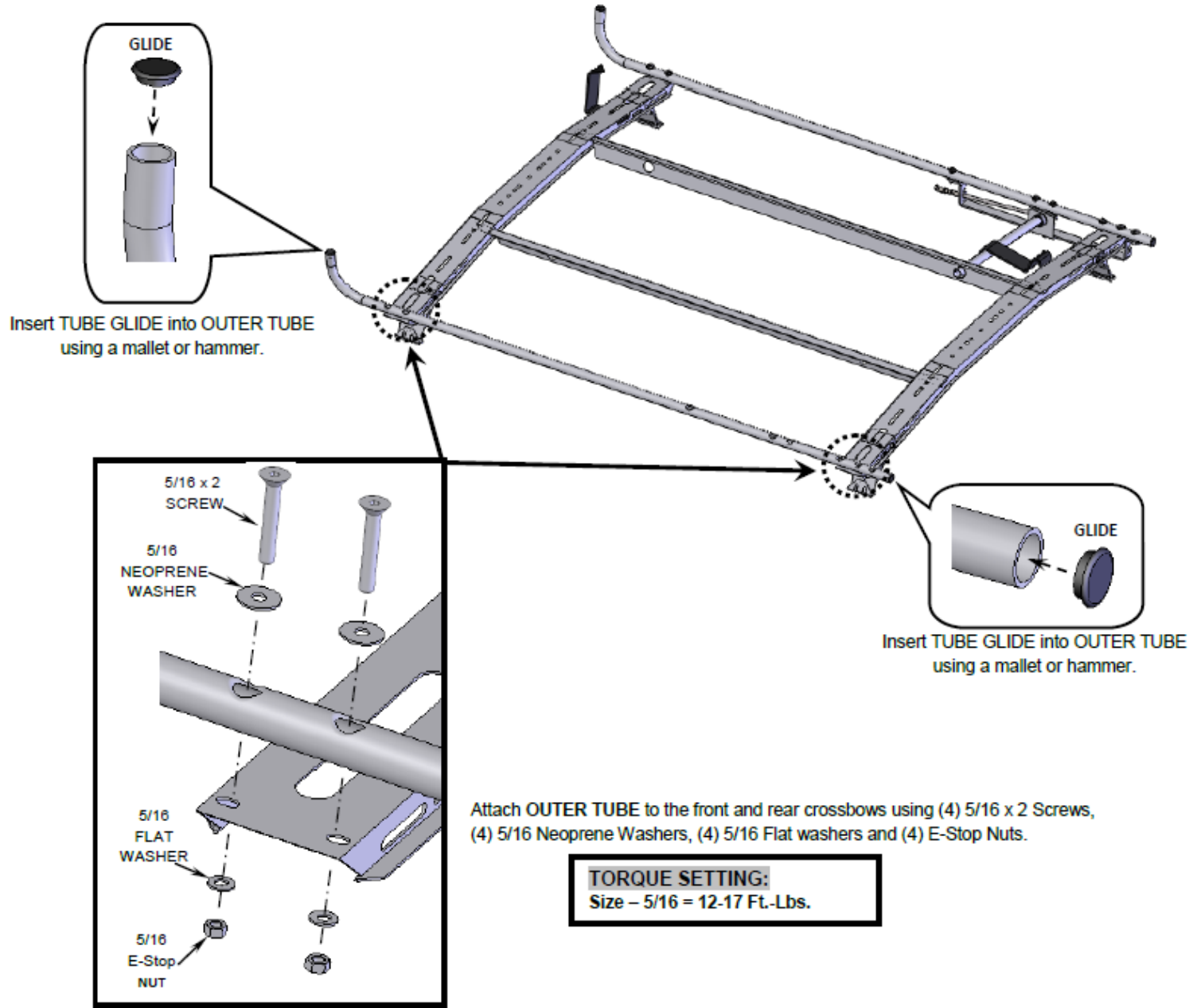


Locate (1) INBOARD RAIL and (1) BEARING.
Insert the BEARING into the pre-punched hole in the INBOARD RAIL.
Insert each end of the Inboard Rail, into the slots in the Front and Rear Crossbows and secure with (2) 3/8 x 1 Carriage Bolts, (2) 3/8 Flat washers and (2) 3/8 E-Stop Nuts

TORQUE SETTING:
Size - 3/8 = 22-30 Ft.-Lbs.



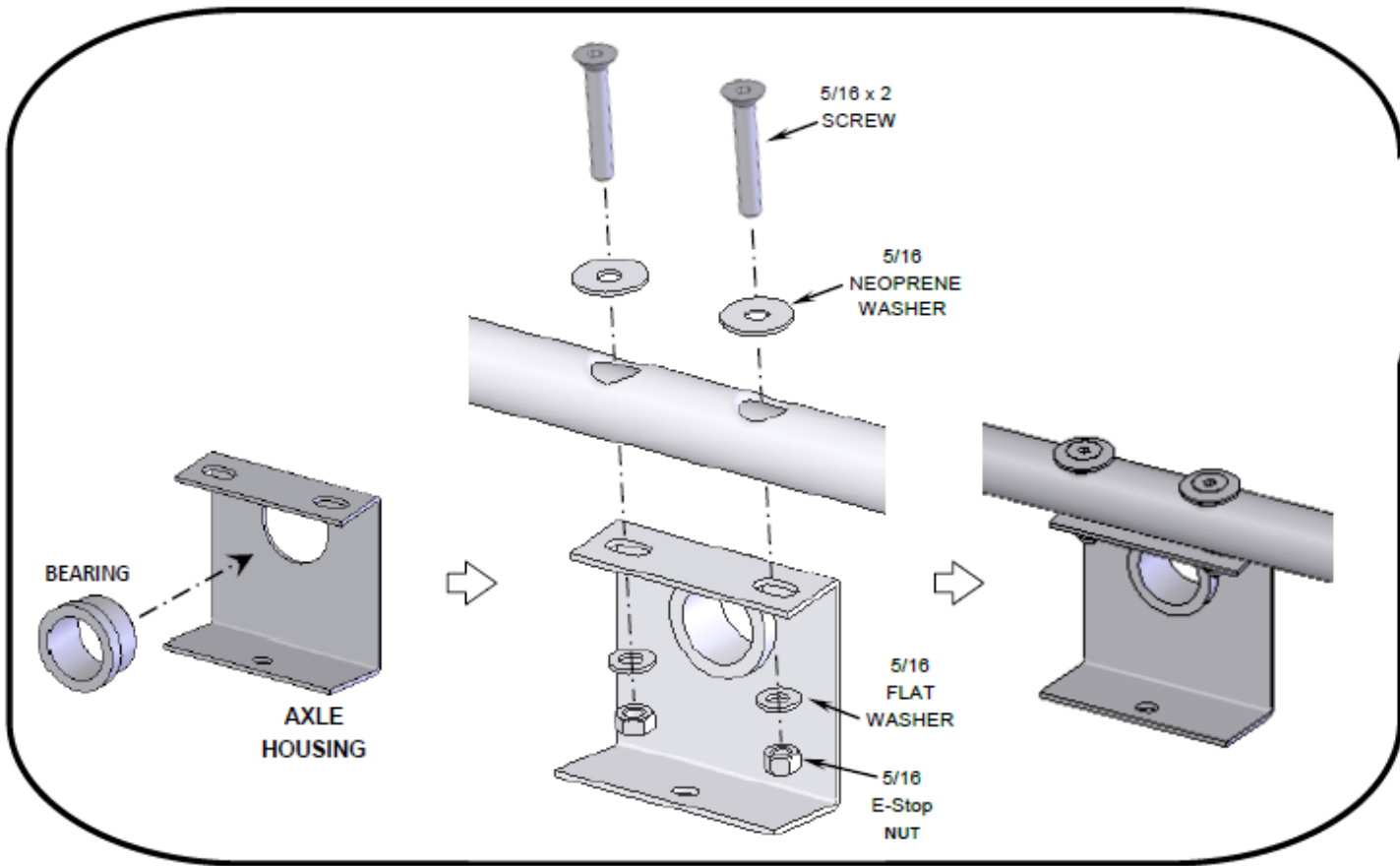
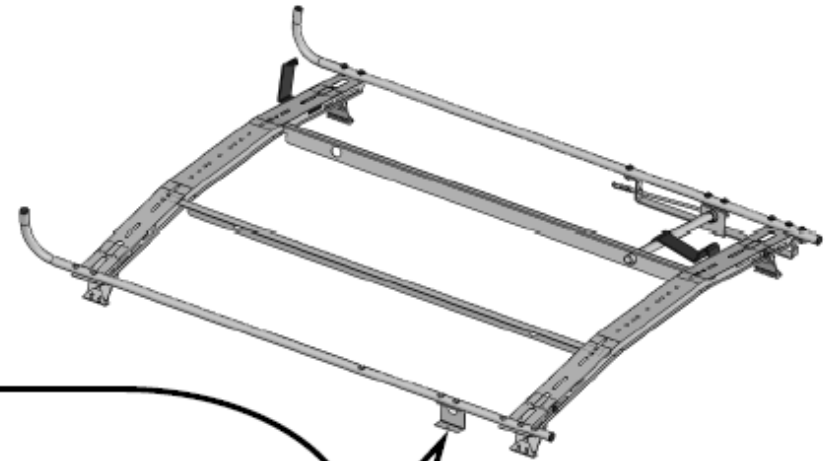
ATTACHING OUTER TUBE



ATTACHING AXLE HOUSING

Insert BEARING into the AXLE HOUSING as shown, next attach the AXLE HOUSING to the OUTER TUBE using (2) 5/16 x 2 Cap screws, (2) 5/16 Neoprene Washers, (2) 5/16 Flat Washers and (2) E-Stop Nuts.

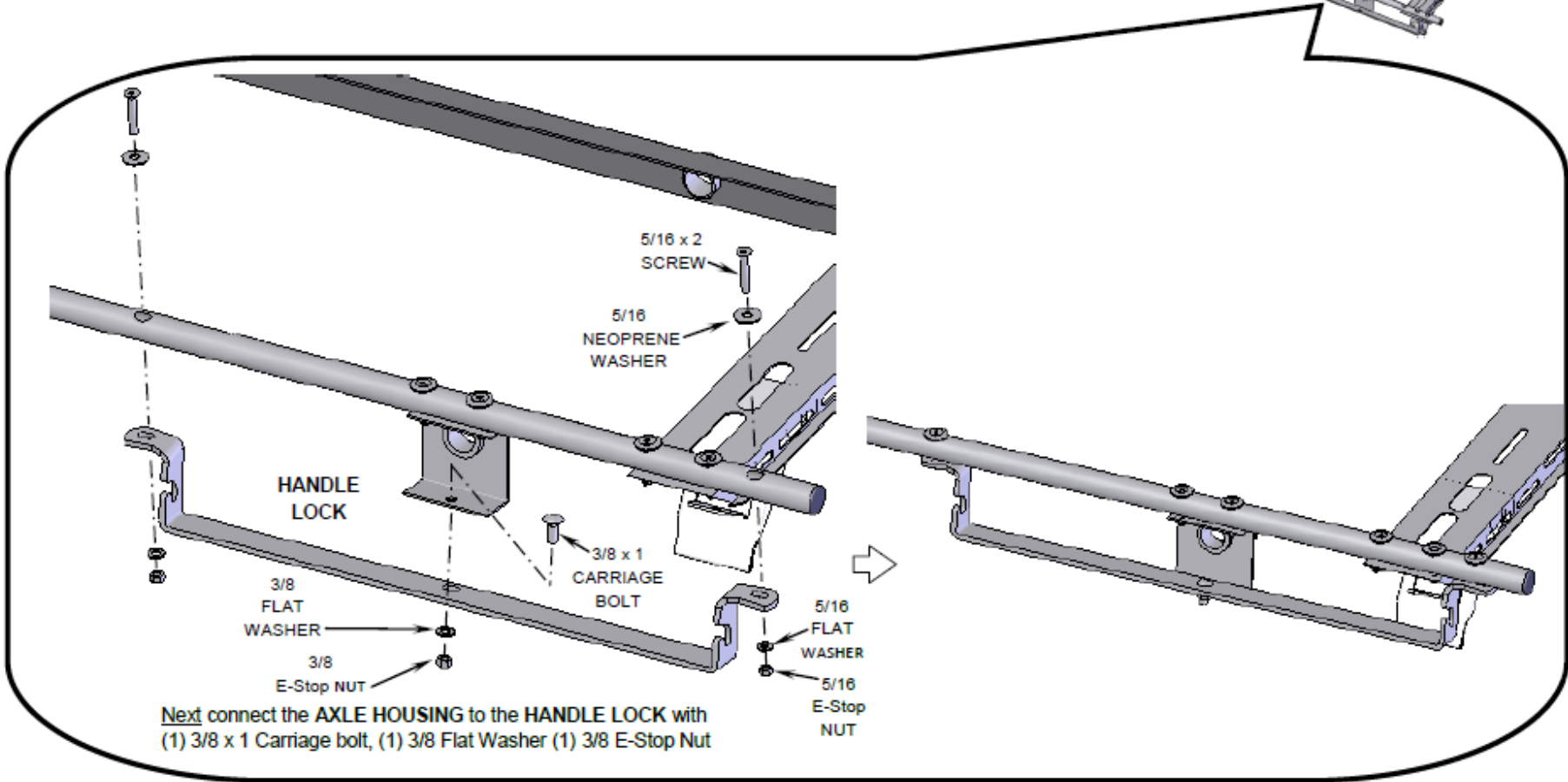
TORQUE SETTING:
Size - 5/16 = 12-17 Ft.-Lbs.



ATTACHING HANDLE LOCK

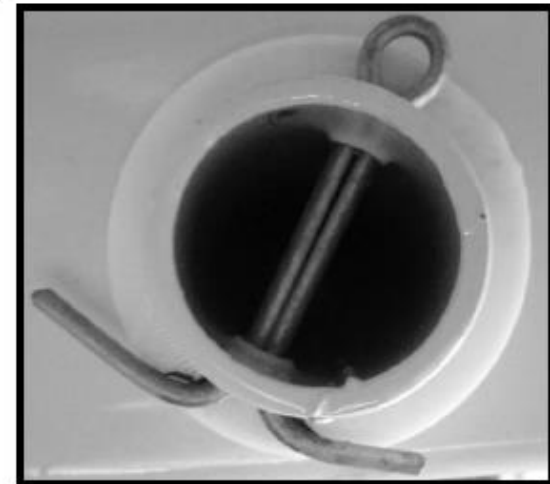
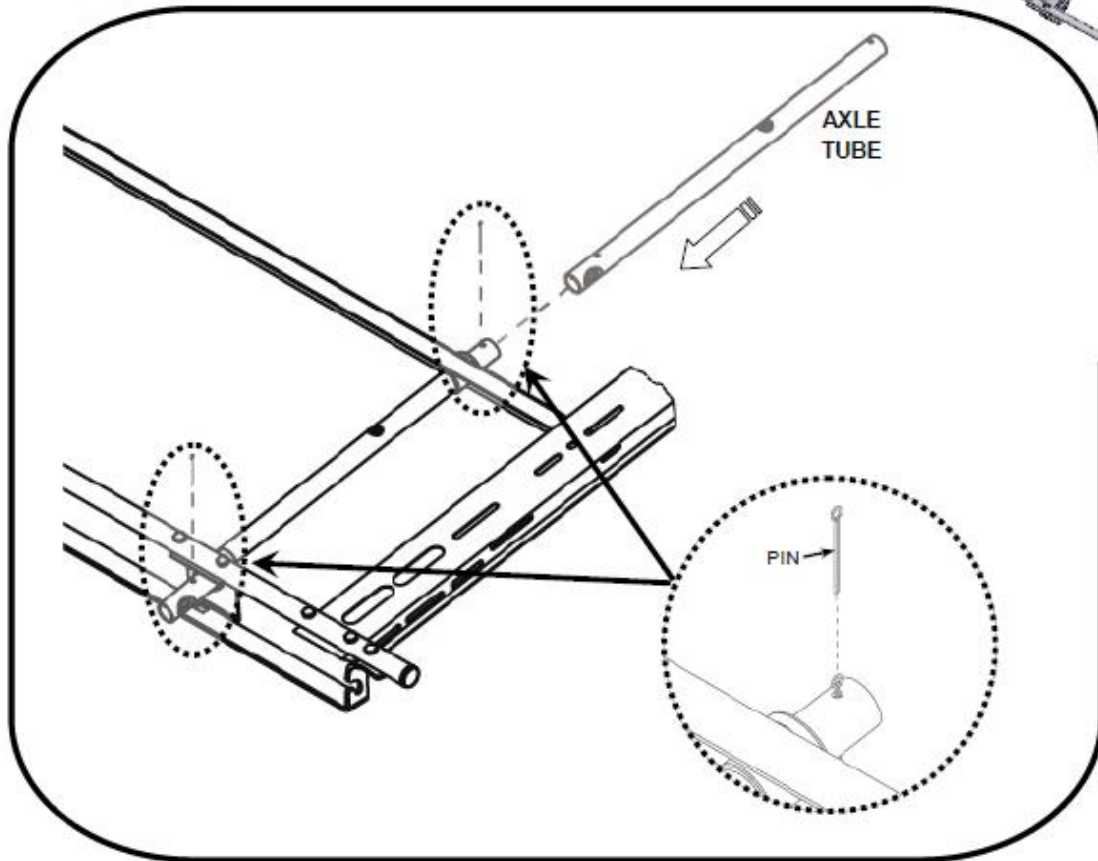
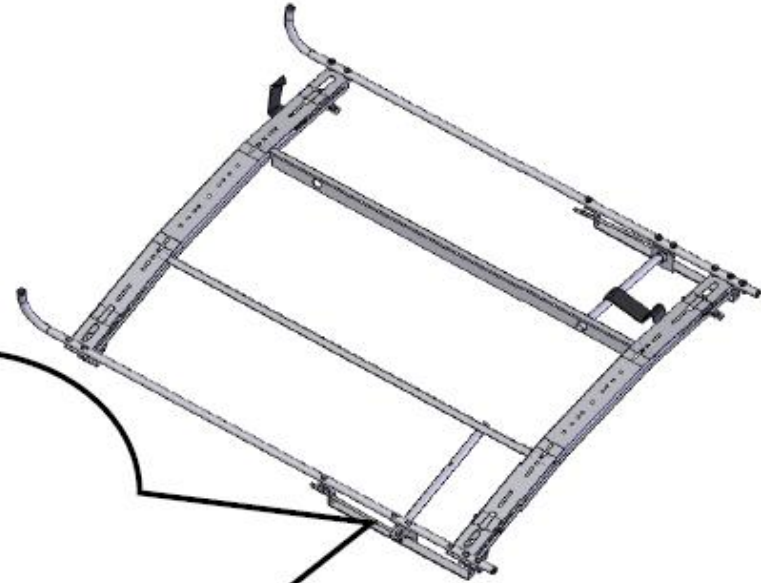
Position **HANDLE LOCK** as shown here and attach to **OUTER TUBE** using (2) 5/16 x 2 Cap Screws, (2) Neoprene Washers, (2) 5/16 Flat Washers and (2) E-Stop Nuts.

TORQUE SETTING:
Size - 5/16 = 12-17 Ft.-Lbs.
Size - 3/8 = 22-30 Ft.-Lbs.



INSERTING AXLE TUBE

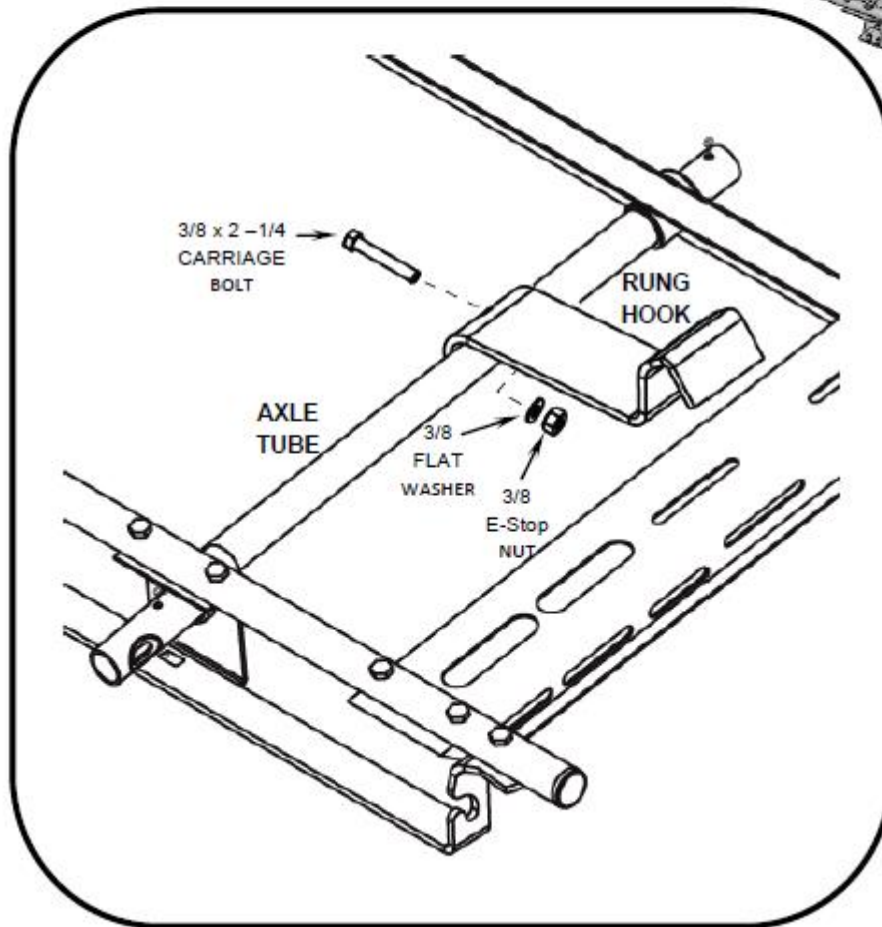
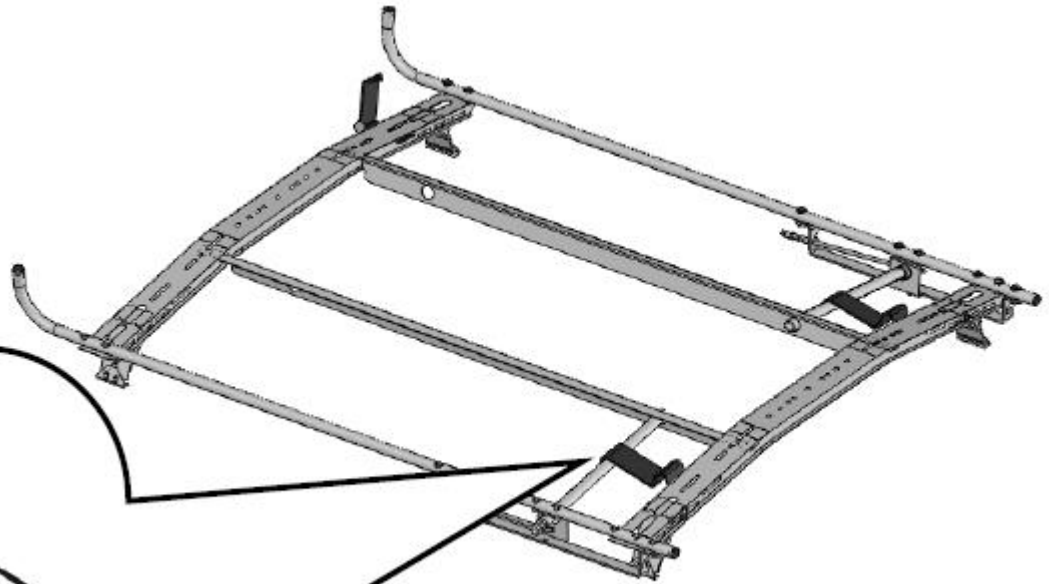
Slip **AXLE TUBE** through the Bearings in the Axle Housing and the Inboard Rail and secure with (2) 3/16 x 2 Pins.



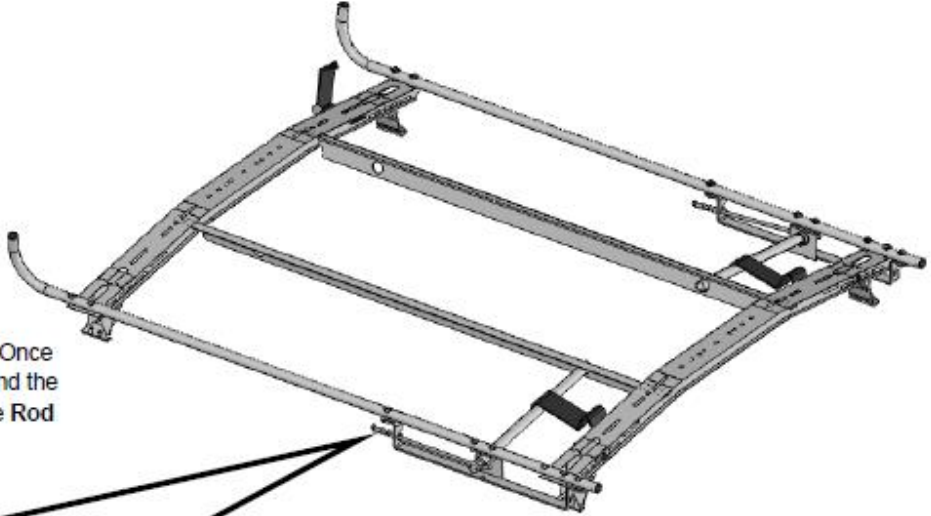
ATTACHING RUNG HOOK

Place **RUNG HOOK** on the **AXLE TUBE** and attach with
(1) 3/8 x 2-1/4 Carriage Bolt, (1) 3/8 Flat washer and (1) E-Stop Nut

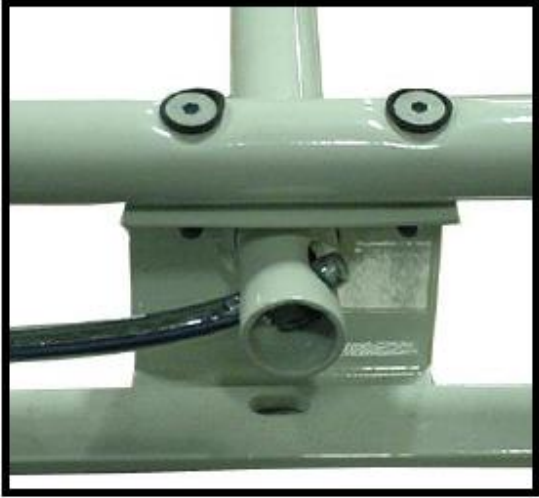
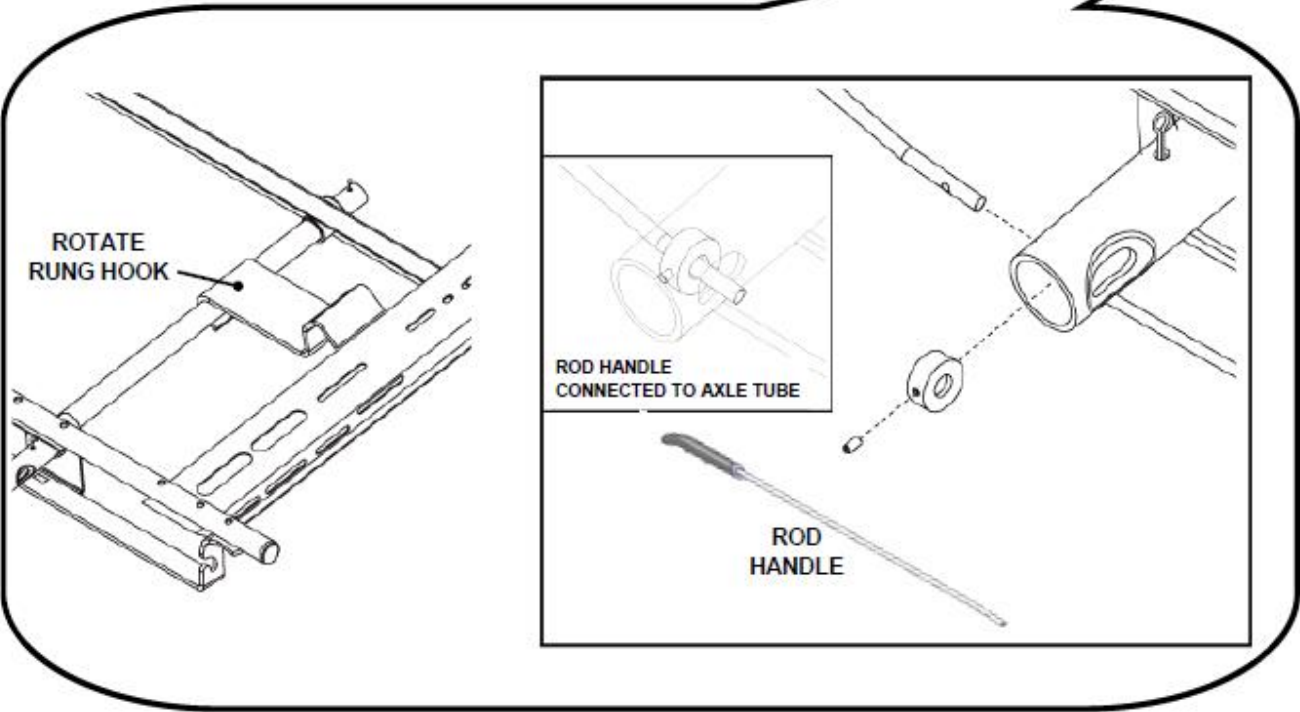
TORQUE SETTING:
Size – 3/8 = 22-30 Ft.-Lbs.

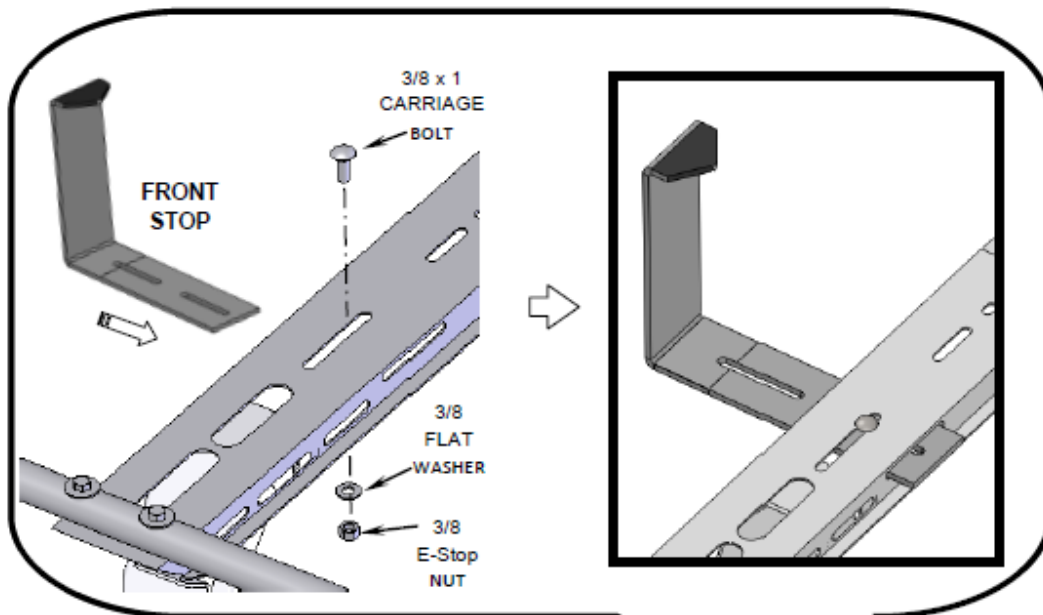


ATTACHING ROD HANDLE



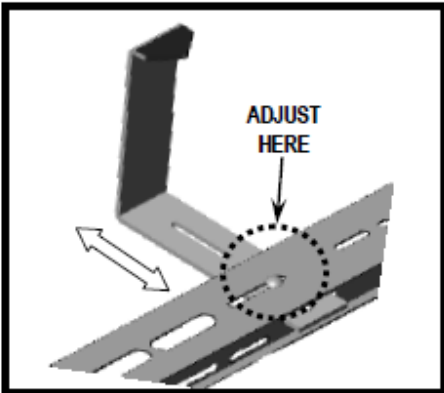
Rotate the RUNG HOOK until it rests on the rear crossbow as shown. Insert (1) 3/8 SPACER into Axle Tube and orient so that the hole in the Spacer is facing outward. Once the RUNG HOOK is positioned properly, insert the ROD HANDLE through the Axle Tube and the Spacer so that it seats in the predrilled area in the Rod Handle and tighten Set Screw. The Rod Handle should now lock into the forward lock position on the Handle Lock.



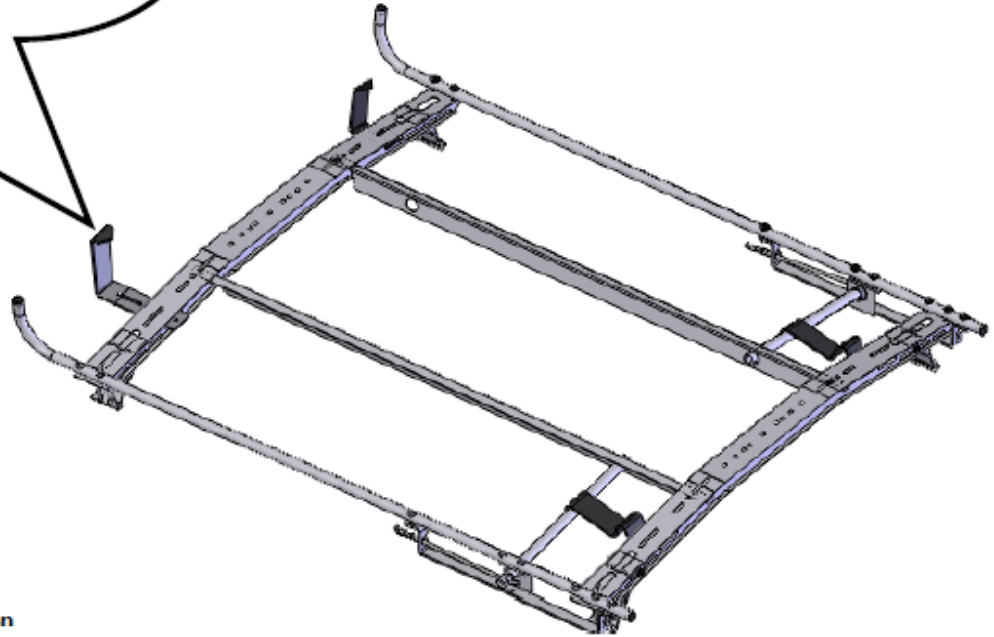


Insert the **FRONT STOP** though the slot in the Front Crossbow, and align so that the vertical section of the Front Stop touches the Crossbow. Secure with (1) 3/8 x 1 Carriage bolt, (1) 3/8 Flat Washer and (1) 3/8 E-Stop Nut. **NOTE: MAY REQUIRE FUTHER ADJUSTMENT FOR PROPER OPERATION.**

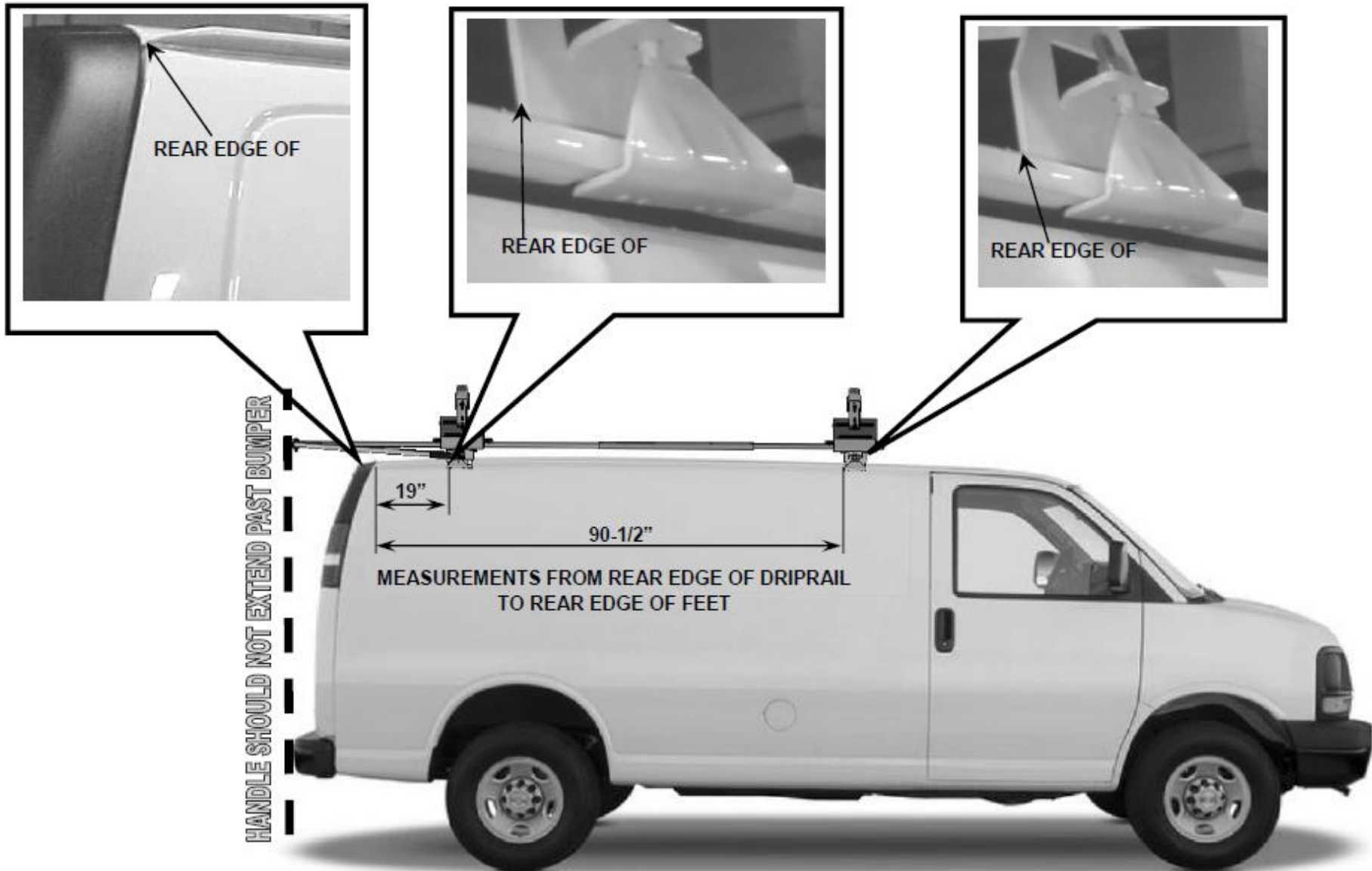
TORQUE SETTING:
Size - 3/8 = 22-30 Ft.-Lbs.



It will be necessary to adjust the front stops to accommodate your ladder. Adjust front stop in for more tension and out to lessen tension



PLACEMENT OF THE **ASSEMBLED** LADDER RACK ON VEHICLE

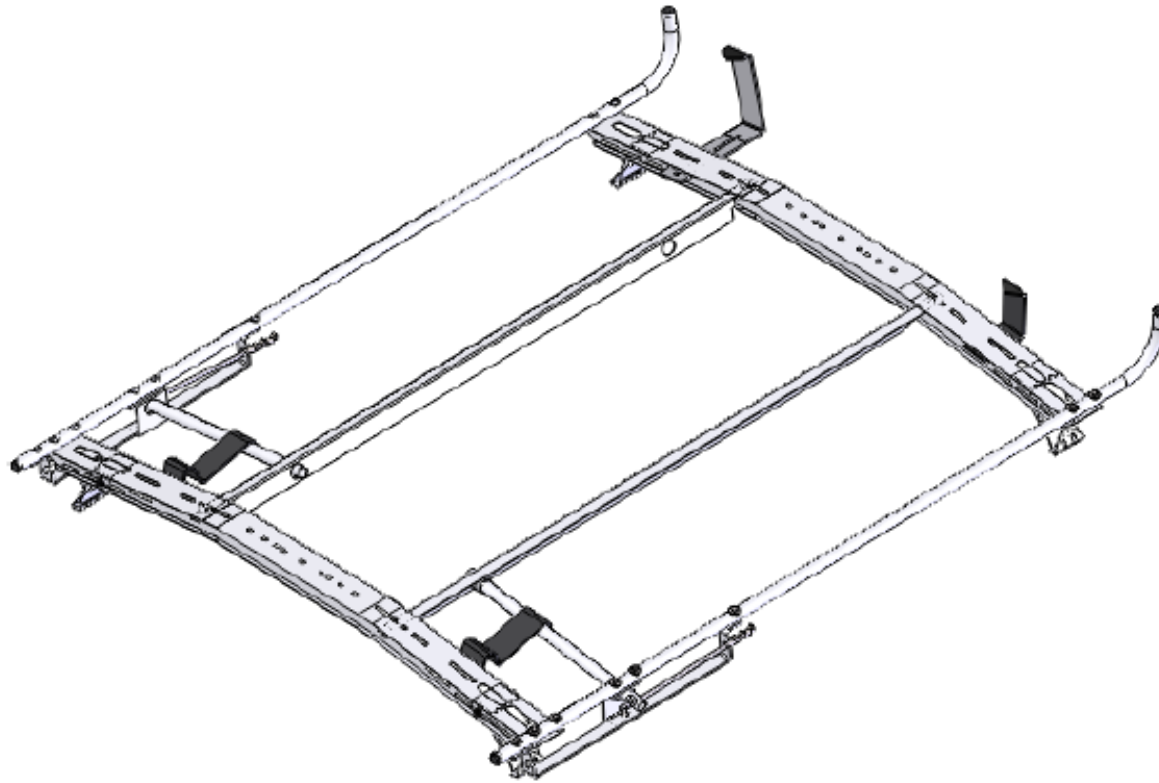


With **LADDER RACK** positioned properly on vehicle, tighten **OUTER CLAMPS** to secure.

Slide Down Ladder Rack Trouble Shooting Checklist

Ladder is getting stuck and not sitting Flat on the Top:

- ✓ Check all the stops Adjustments.
- ✓ Inspect to ensure that the ladder is properly positioned on the Front bow and free to slide forward during operation.
- ✓ Check the ladder Rope is not entangled on any stop.



3 Year / 36,000 Mile Limited Warranty

MASTERACK® commercial van and pickup equipment is warranted to be from defects in material and workmanship, under normal use and service for a period of one (1) year from date of purchase. Factory installations, and products installed in new vehicles by an authorized MASTERACK® installer are warranted for **(3) years or 36,000 miles (60,000 KM)**, whichever comes first. **This warranty covers only repairs, or at MASTERACKS' discretion, replacement to correct any defects related to materials and workmanship.**

This warranty does not apply to:

- Additions, alterations, or installations made by persons including dealers, other than MASTERACK® and its authorized distributors, made in accordance with MASTERACK® specifications and / or instructions, nor to defects arising out of attribute to such additions, alterations or installations.
- Defects attributable to abuse or misuse of the product, misapplication, negligent accident, modification or tampering.
- Damage resulting from failure to promptly notify and comply with the instructions of the dealer or manufacturer about defects when noted.
- Any incidental or consequential damages connected with a defect, either while under warranty or afterward, including the cost of a rental truck and / or loss or revenue.

THE WARRANTY IS THE ONLY WARRANTY APPLICABLE TO A MASTERACK PRODUCT PURCHASE. ALL OTHER WARRANTIES, EXPRESSED OR IMPLIED, INCLUDING BUT NOT LIMITED TO, THE IMPLIED WARRANTIES OR MERCHANTABILITY AND FITNESS FOR A PARTICULAR PURPOSE ARE DISCLAIMED. MASTERACK® AND ITS SUBSIDIARIES, SHALL NOT BE LIABLE FOR ANY INCIDENTAL OR CONSEQUENTIAL DAMAGES ARISING OUT OF ANY BREACH OF THIS WARRANTY, NOR SHALL THE DAMAGES EXCEED THE RETURN AMOUNT OF THE PURCHASE PRICE PAID BY THE ORIGINAL PURCHASER.

Warranty claims must be submitted to either your sales representative or a customer service representative at **1-800-222-8785**. The vehicle must be delivered to the original MASTERACK® authorized dealer for inspection and any warranty service. Any warranty service to be performed by a source other than MASTERACK® location or an approved MASTERACK® distributor must be authorized in advance of the repairs by the MASTERACK® Warranty Administrator and a purchase order issued by MASTERACK® in advance or repairs for the authorized repairs.