

INSTALLATION INSTRUCTIONS

Recommended Tools



AIR / HAND RATCHET



AWL



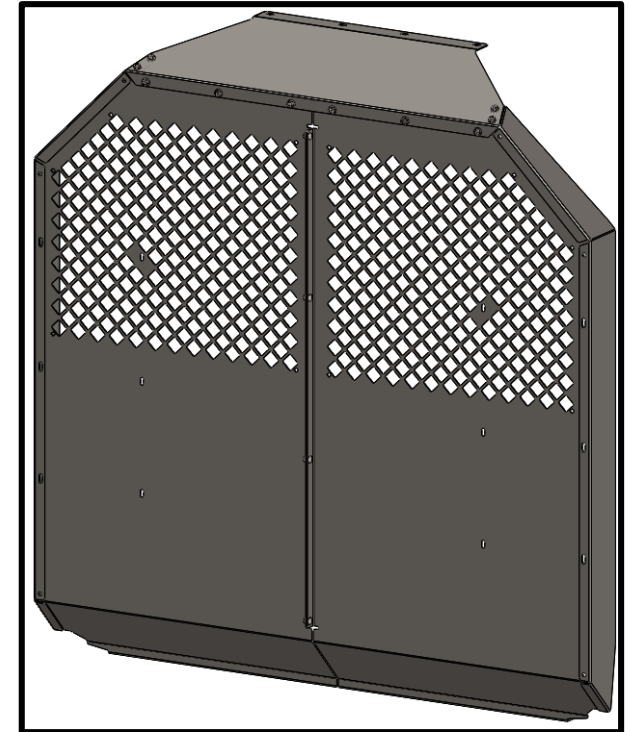
7/16" SOCKET
M8 SOCKET



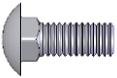
7/16" COMBO WRENCH
M8 COMBO WRENCH



TORQUE WRENCH



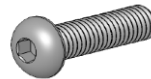
Hardware



1/4-20 x 1/2
CARRIAGE BOLT



M8x1.25x40
HHC Bk Ox 10.9



M8x1.25x30 Button Socket
Bk Ox 10.9 Screw



M8 CLR ZINC
Lock Washer



1/4
Flat Washer



M8 24mm OD Zinc
Flat Washer



1-20
E-Stop Nut



M8 24mm OD Zinc
Flat Washer

NV200 WIRE PARTITION

02F589KP

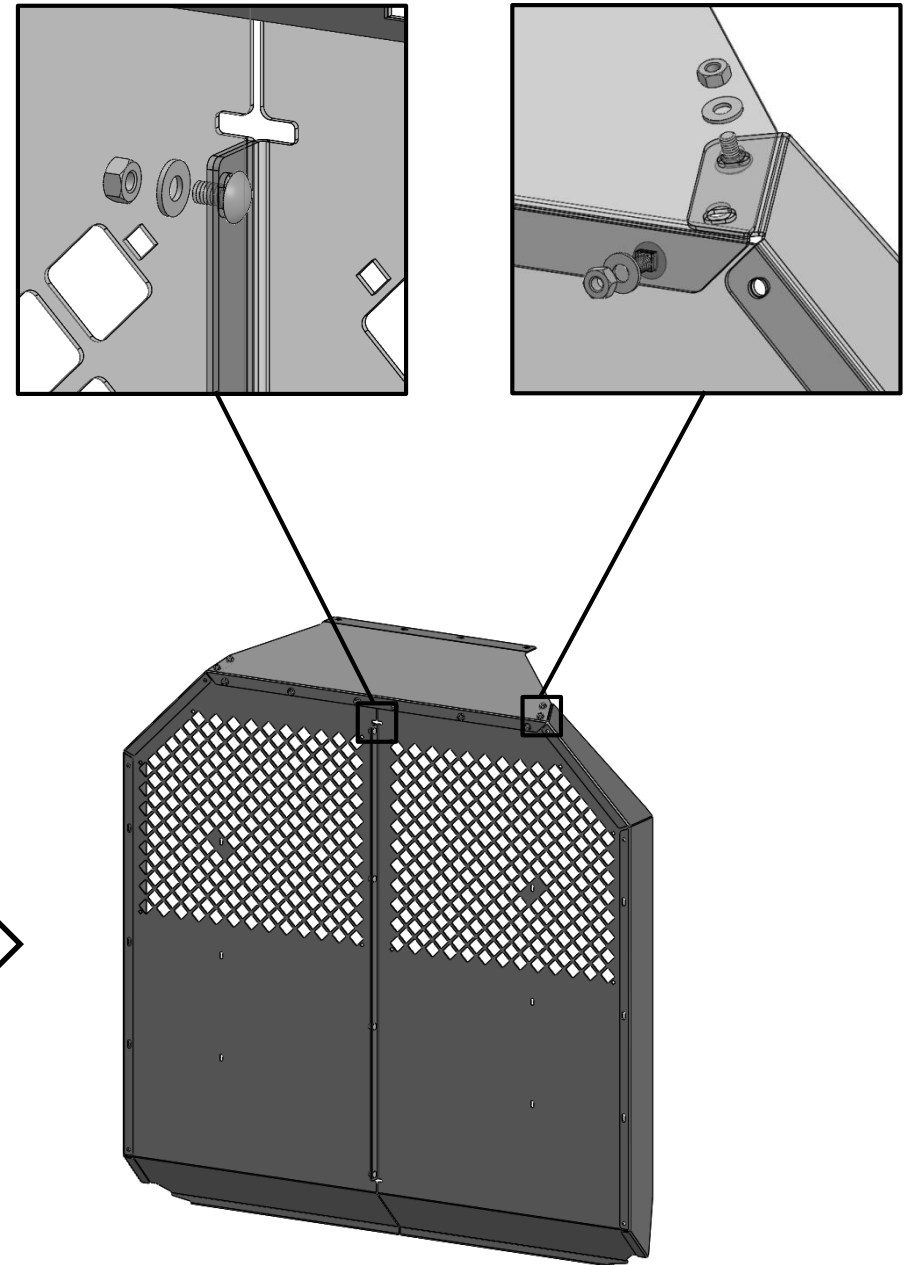
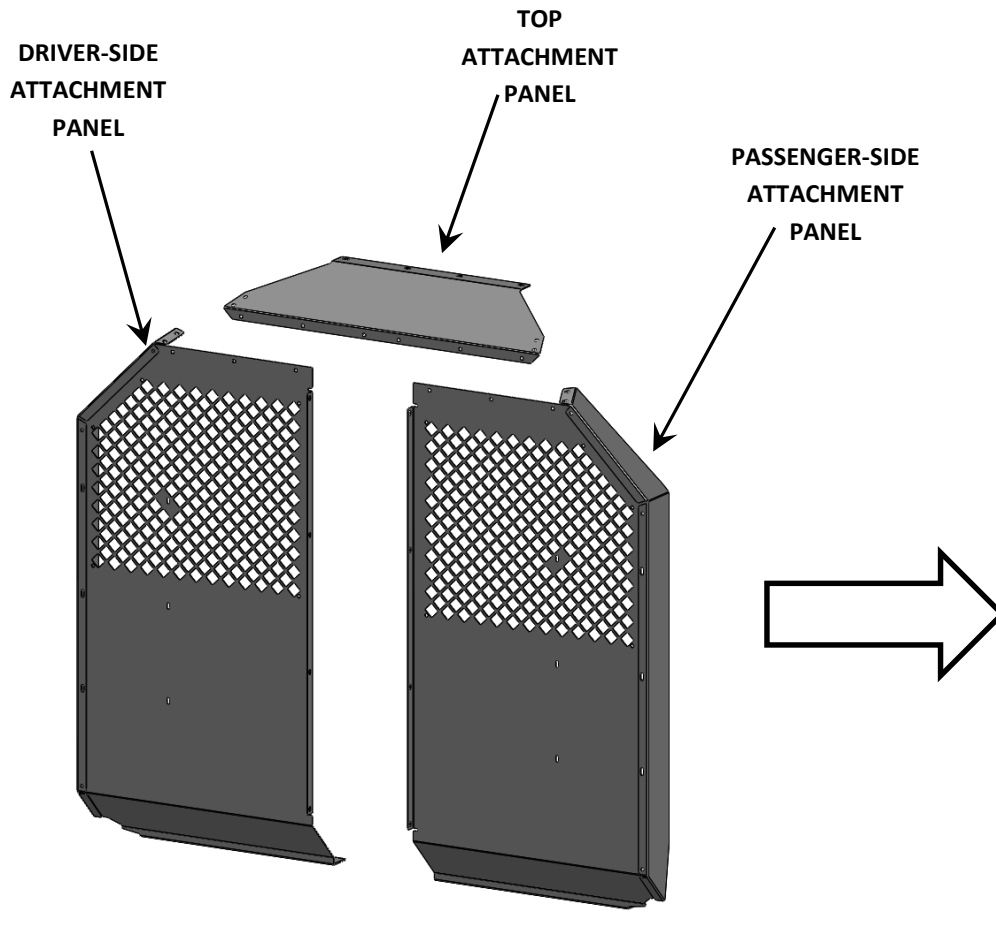
Review this document to ensure that all parts and hardware are included in the package, before installation.

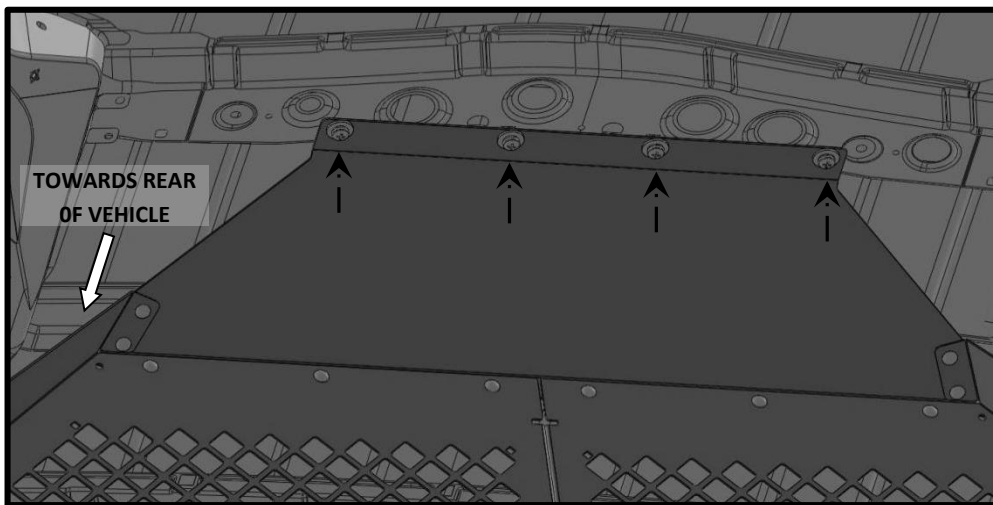
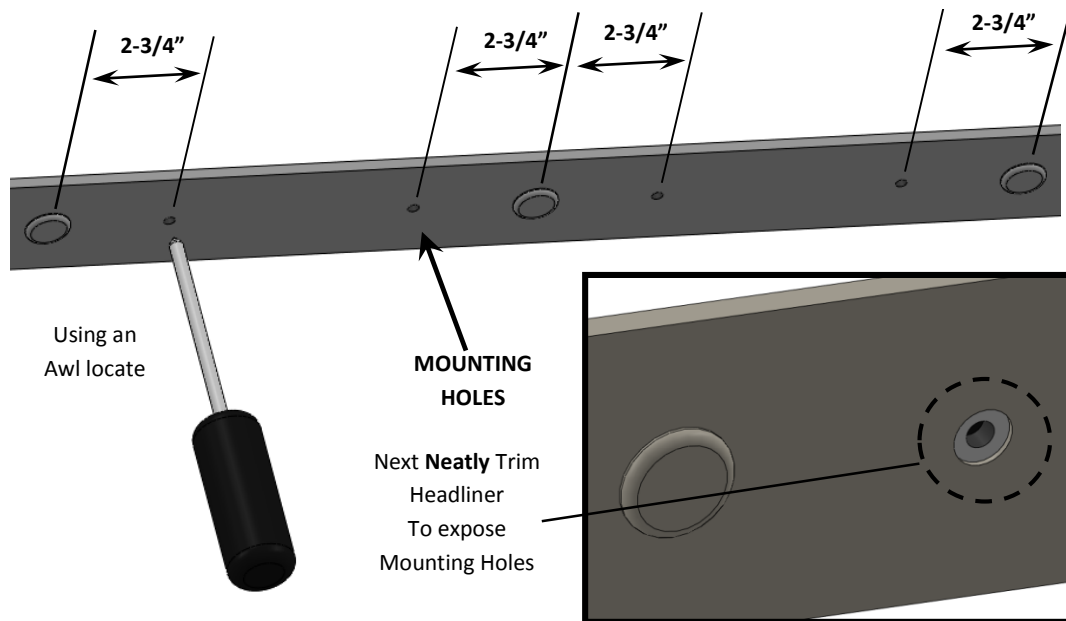
In the event that parts are missing please contact

Masterack @ 1-800-222-8785, to re-order missing parts.

SECURE AS SHOWN USING:
(14) 1/4-20 x 1/2 CARRIAGE BOLT
(14) 1/4 Flat Washers
(14) 1/4-20 E-Stop Nuts

TORQUE SETTING:
Size - 1/4 = 7-9.6 Ft.-Lbs.





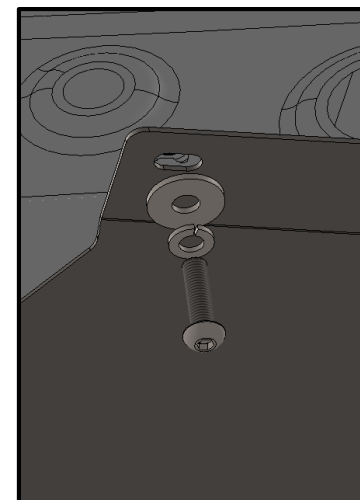
ALIGN THE (4) MOUNTING HOLES IN TOP PANEL WITH MOUNTING HOLE IN THE ROOF OF VEHICLE

SECURE AS SHOWN USING:

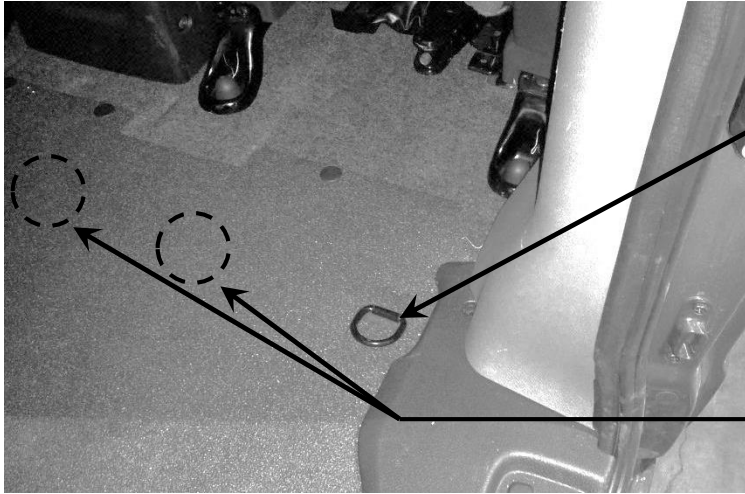
- (4) M8-1.25 x 30 Button Socket
- (4) M8 CLR Zinc Lock Washers
- (4) M8 Flat Washers

TORQUE SETTING:

Size – M8 = 20-27 N-M



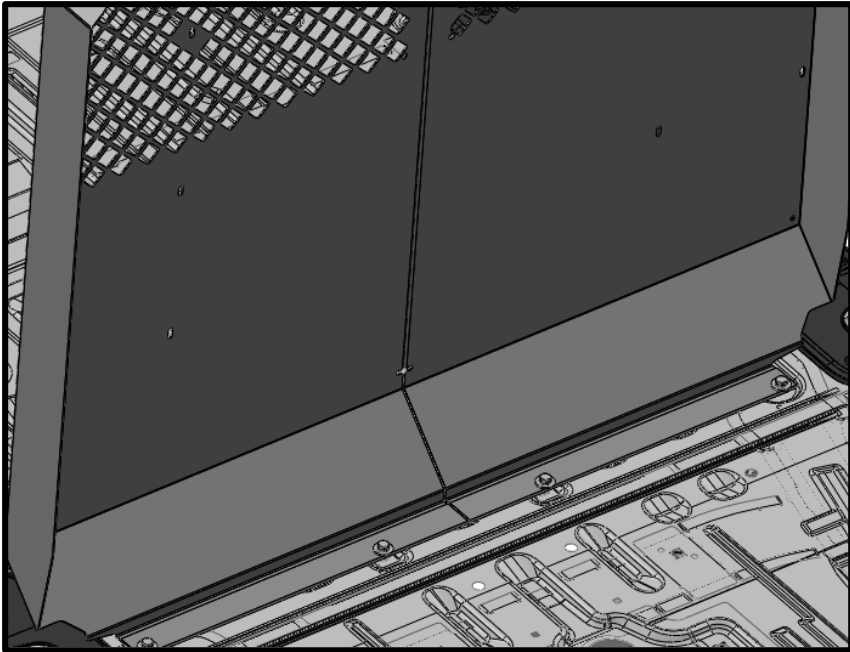
SECURING AT THE FLOOR



PRIOR TO INSTALLING PARTITION
REMOVE BOTH D-RINGS FROM FLOOR OF VEHICLE



LOCATE EXISTING HARDWARE UNDER MAT.
NEXT USING A RAZOR BLADE, CAREFULLY CUT MAT
TO REMOVE and DISCARD HARDWARE
(THESE HOLES WILL BE USED TO SECURE PARTITION)



TORQUE SETTING:
Size – M8 = 20-27 N-M

- SECURE WITH;
- (4) M8-1.25 x 40 Hex Head Screws
 - (4) 5/16 Lock Washers
 - (4) 20mm Flat Washers
 - (4) Spacers

BEFORE INSTALLING
REMOVE D-RINGS

3 Year / 36,000 Mile Limited Warranty

MASTERACK® commercial van and pickup equipment is warranted to be from defects in material and workmanship, under normal use and service for a period of one (1) year from date of purchase. Factory installations, and products installed in new vehicles by an authorized MASTERACK® installer are warranted for **(3) years or 36,000 miles (60,000 KM)**, whichever comes first. **This warranty covers only repairs, or at MASTERACKS' discretion, replacement to correct any defects related to materials and workmanship.**

This warranty does not apply to:

- Additions, alterations, or installations made by persons including dealers, other than MASTERACK® and its authorized distributors, made in accordance with MASTERACK® specifications and / or instructions, nor to defects arising out of attribute to such additions, alterations or installations.
- Defects attributable to abuse or misuse of the product, misapplication, negligent accident, modification or tampering.
- Damage resulting from failure to promptly notify and comply with the instructions of the dealer or manufacturer about defects when noted.
- Any incidental or consequential damages connected with a defect, either while under warranty or afterward, including the cost of a rental truck and / or loss or revenue.

THE WARRANTY IS THE ONLY WARRANTY APPLICABLE TO A MASTERACK PRODUCT PURCHASE. ALL OTHER WARRANTIES, EXPRESSED OR IMPLIED, INCLUDING BUT NOT LIMITED TO, THE IMPLIED WARRANTIES OR MERCHANTABILITY AND FITNESS FOR A PARTICULAR PURPOSE ARE DISCLAIMED. MASTERACK® AND ITS SUBSIDIARIES, SHALL NOT BE LIABLE FOR ANY INCIDENTAL OR CONSEQUENTIAL DAMAGES ARISING OUT OF ANY BREACH OF THIS WARRANTY, NOR SHALL THE DAMAGES EXCEED THE RETURN AMOUNT OF THE PURCHASE PRICE PAID BY THE ORIGINAL PURCHASER.

Warranty claims must be submitted to either your sales representative or a customer service representative at **1-800-222-8785**. The vehicle must be delivered to the original MASTERACK® authorized dealer for inspection and any warranty service. Any warranty service to be performed by a source other than MASTERACK® location or an approved MASTERACK® distributor must be authorized in advance of the repairs by the MASTERACK® Warranty Administrator and a purchase order issued by MASTERACK® in advance or repairs for the authorized repairs.