

Recommended Tools



AIR / HAND RATCHET



Drill



7/16" SOCKET
M13 SOCKET



7/16" COMBO WRENCH
M13 COMBO WRENCH



TORQUE WRENCH



3/8" DRILL BIT

Hardware



1/4-20 x 1.75
HH BOLT GR8



1/4-20 x .75
HWH BOLT GR5



1/4-20 x 1.25
HWH BOLT GR8



M8 x 1.25 x 35
HWH BIK. Zinc



1/4
Lock Washer



M8
Lock Washer



1/4
Flat Washer



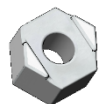
M8
Flat Washer



1/4-20
E-Stop Nut



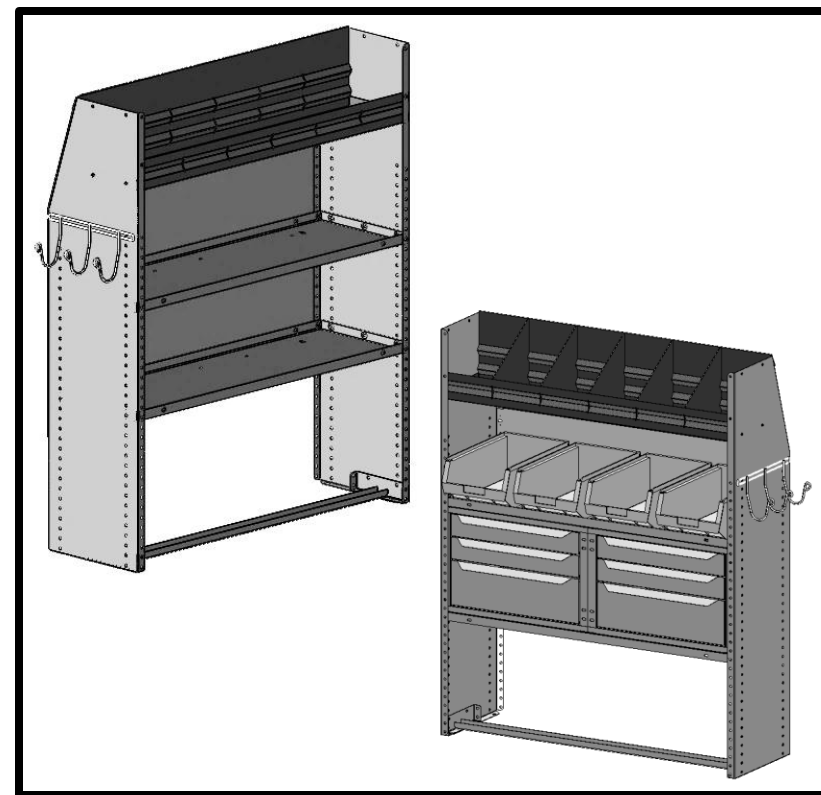
#SRT25PB280
PRE-BULB PLUSNUT



Plusnut
Tool



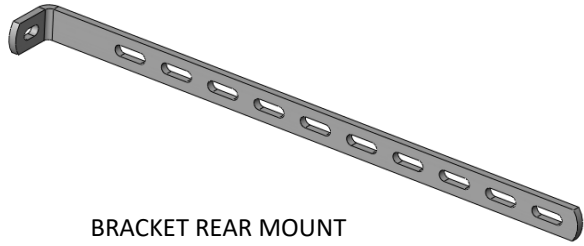
Floor Spacer



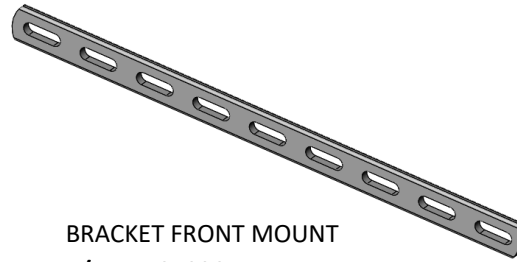
02J642KP RACKS & BINS PACKAGE

Review this document to ensure that all parts and hardware are included in the package, before installation.

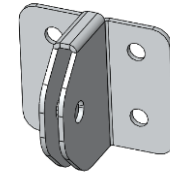
In the event that parts are missing please contact Masterack @ 1-800-222-8785, to re-order missing parts.



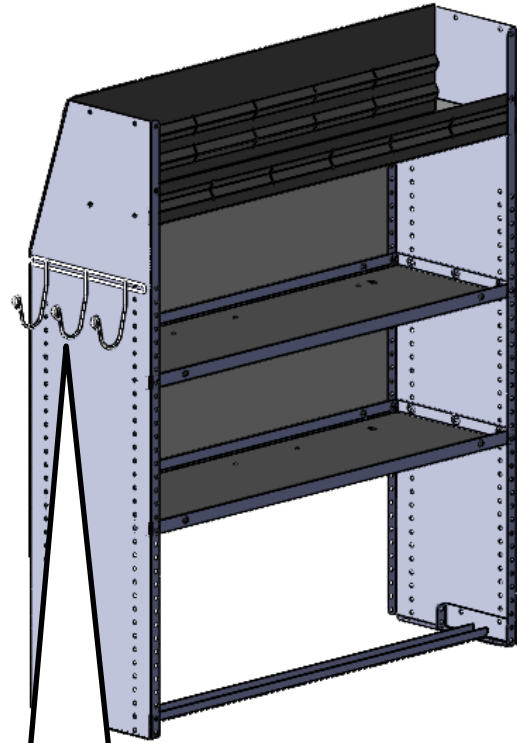
BRACKET REAR MOUNT
P/N – M831860ZN



BRACKET FRONT MOUNT
P/N – M940064

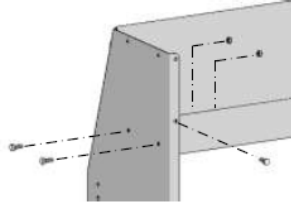


T-BRACKET FRONT MOUNT
P/N – 025483



ATTACHING TOOL DROP TRAY

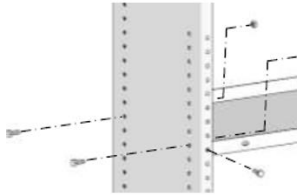
See page 10
(Attaching Side Mounting Bracket)



Attach Tool Drop Tray as shown, using:

- (6) 1/4-20 x 3/4 Hex Head Screws
- (6) 1/4-20 E-Stop Nuts

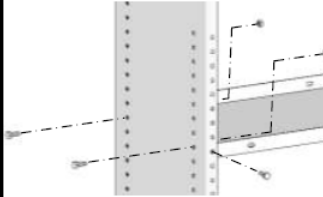
ATTACHING BOTTOM SHELF



Position Middle Shelf at 27th hole location from bottom as shown, and secure to Uprights using:

- (6) 1/4-20 x 3/4 Hex Head Screws
- (6) 1/4-20 E-Stop Nuts

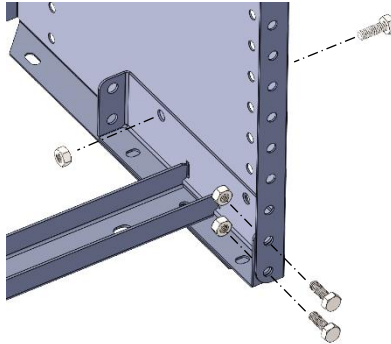

ATTACHING MIDDLE SHELF



Position Bottom Shelf at 16th hole location from bottom as shown, and secure to Uprights using:

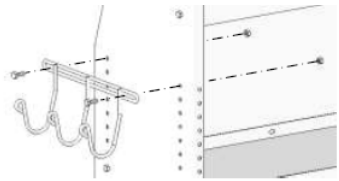
- (6) 1/4-20 x 3/4 Hex Head Screws
- (6) 1/4-20 E-Stop Nuts

ATTACHING FLOOR ATTACHMENT

Secure Floor Attachment as shown here using:

- (6) 1/4-20 x 3/4 Hex Head Screws
- (6) 1/4-20 E-Stop Nuts



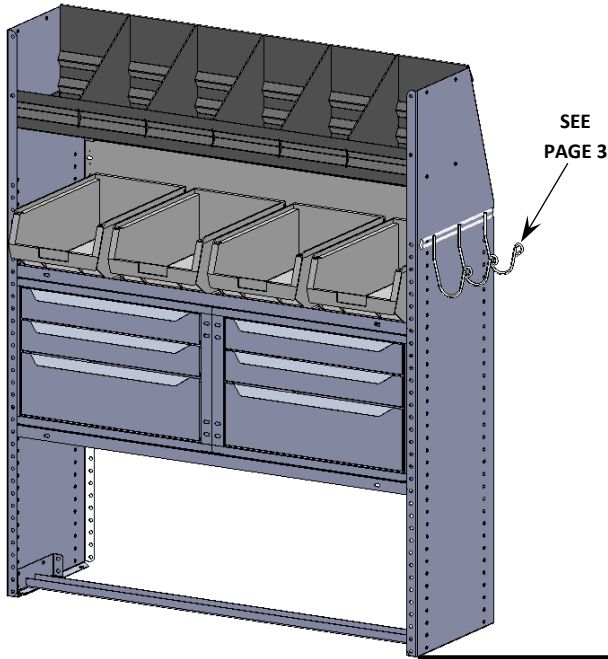
Position Triple Hook at the desired location, and secure to Upright using:

- (2) 1/4-20 x 3/4 Hex Head Screws
- (2) 1/4-20 E-Stop Nuts

ON MODULE 02B967KP CURB SIDE
TRIPLE HOOK
MOUNTS TO THE RIGHT UPRIGHT

TORQUE SETTING:
Size - 1/4 = 7-9.5 Ft.-Lbs.

ASSEMBLING MODULES



ATTACHING TOOL DROP TRAY
See page 10
(Attaching Side Mounting Bracket)

Attach Tool Drop Tray as shown, using:
(6) 1/4-20 x 3/4 Hex Head Screws
(6) 1/4-20 E-Stop Nuts

ATTACHING BOTTOM SHELF

Position Bottom Shelf inverted (With flanges facing down) at 13th hole location from bottom as shown, and secure to Uprights using:
(6) 1/4-20 x 3/4 Hex Head Screws
(6) 1/4-20 E-Stop Nuts

TORQUE SETTING:
Size - 1/4 = 7-9.5 Ft.-Lbs.

ATTACHING FLOOR ATTACHMENT

Secure Floor Attachment as shown here using:
(6) 1/4-20 x 3/4 Hex Head Screws
(6) 1/4-20 E-Stop Nuts

ATTACHING 3 DRAWER CABINETS

1 Place the (2) J-Clip Nuts over the top most and bottom most slots of both cabinets as shown.

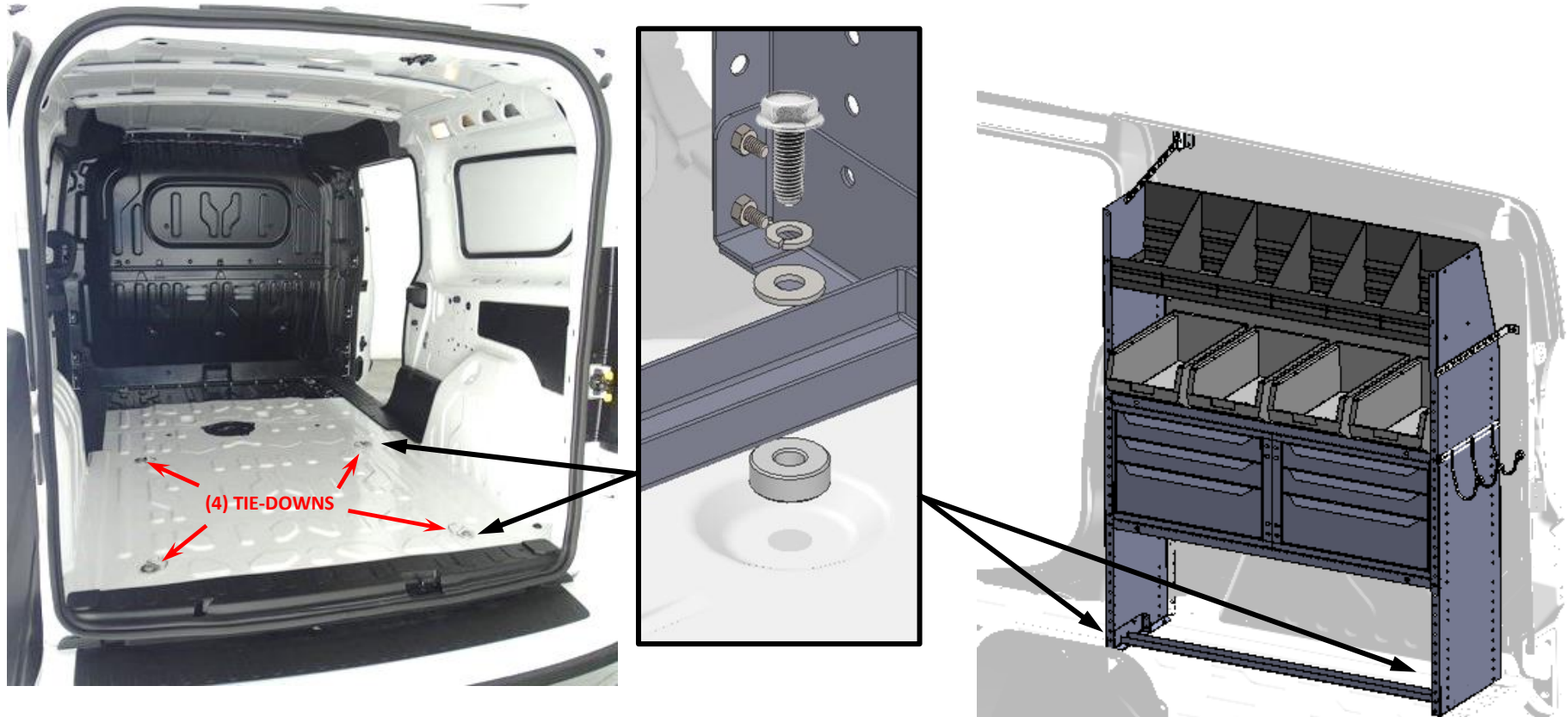
2 Place Cabinets on the shelf, and secure using:
(4) 1/4-20 x 3/4 Hex Head Screws
(4) 1/4-20 E-Stop Nuts

1

NOTE: BOTTOM DRAWERS REMOVED TO ACCESS MOUNTING HOLES

2

SECURING TO FLOOR



***** LOCATE AND REMOVE 4 TIE-DOWNS FROM VAN FLOOR. (TWO PER SIDE)**

SECURE MODULE TO THE FLOOR OF THE VEHICLE INTO THOSE EXISTING THREADS IN THE FLOOR.

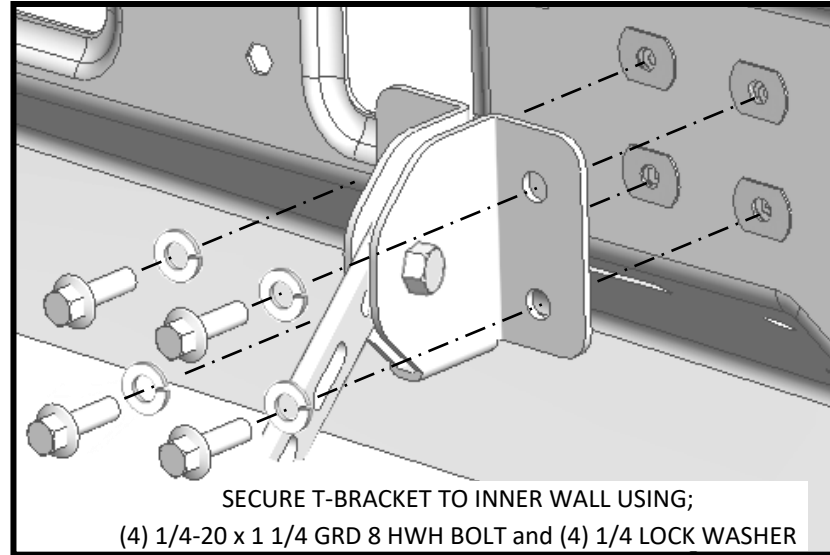
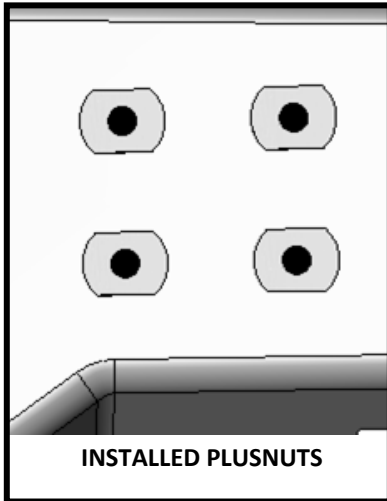
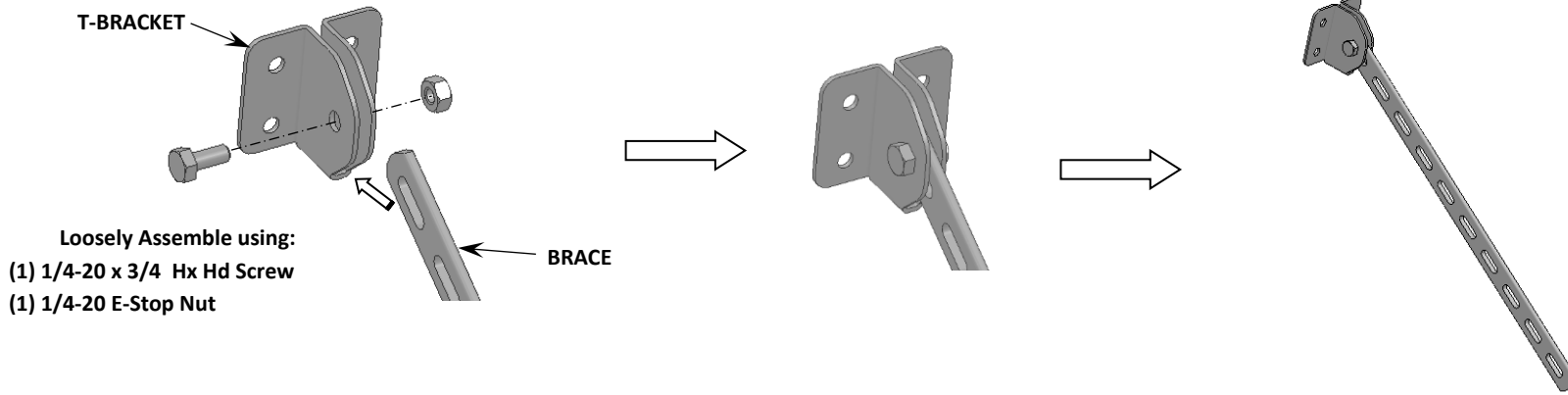
AS SHOWN HERE USING;

- (2) M8 x 35 HWH Screws
- (2) M8 Flat Washers
- (2) M8 Flat Washers
- (2) Floor Spacers

REPEAT MOUNTING FOR OTHER SIDE

TORQUE SETTING:
Size – M8 = 20-27 NM

SECURING T-BRACKET

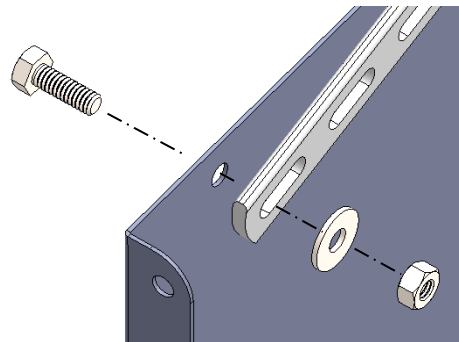


TORQUE SETTING:
Size - 1/4 = 7 - 9.5 Ft.-Lbs.

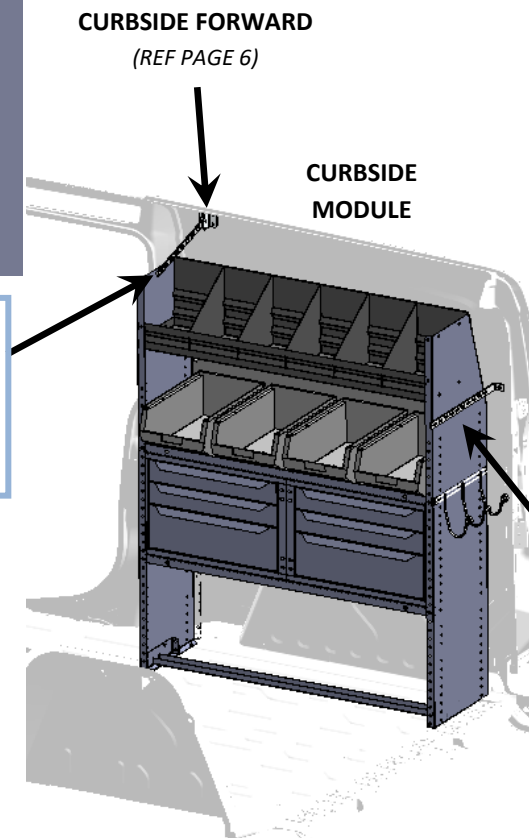
INSTALLATION EXAMPLES SECURING TO THE WALL



**STREETSIDE
REAR**

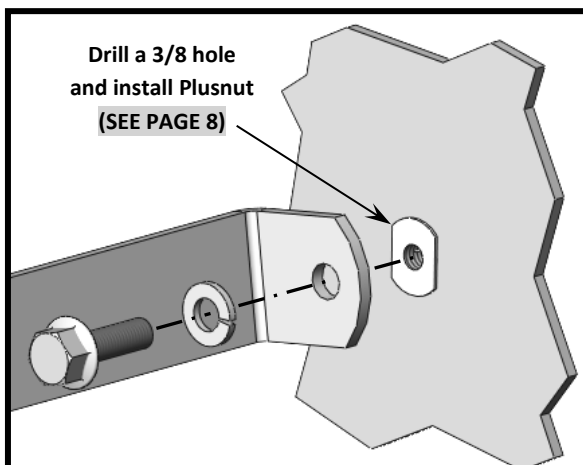


- SECURE TO MODULE USING:**
- (1) 1/4-20 x 3/4 Hex Hd. Screw
 - (1) 1/4 Flat Washer
 - (1) 1/4-20 E-Stop Nut



**CURBSIDE
REAR**

- SECURE TO MODULE USING:**
- (2) 1/4-20 x 3/4 Hex Hd. Screw
 - (2) 1/4 Flat Washer
 - (2) 1/4-20 E-Stop Nut



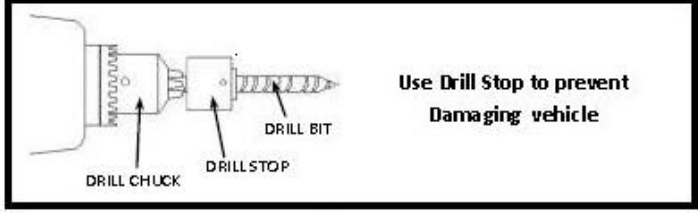
Drill a 3/8 hole
and install Plusnut
(SEE PAGE 8)

SECURING MODULE TO THE WALL OF THE VEHICLE

- (1) 1/4-20 Plus-nut @ Existing Hole
- (1) 1/4-20 x 1-1/4 Hex Hd. Screw
- (1) 1/4 Lock Washer

TORQUE SETTING:
Size - 1/4 = 7 - 9.5 Ft.-Lbs.

STOP **BEFORE DRILLING** **STOP**
CHECK ALL MOUNTING LOCATIONS TO PREVENT PENETRATING
GAS LINES, GAS TANKS, BRAKE LINES, WIRING OR ANY OTHER STRUCTURE OF VEHICLE



The Plusnut® is pre-bulbed for easy installation

1

The Plusnut® is pre-assembled with hex cap and hex bolt. Then it is inserted into a pre-drilled hole

2

As the bolt is tightened, the Plusnut® upsets and provides outstanding blind fastening holding power

3

C-500 tool tightens bolt thru hex head cap into Plusnut®. A ratchet, open-end or closed-end wrench can be used.

4

Fully upset Plusnut® provides a reliable nut plate for fastening.

5

3 Year / 36,000 Mile Limited Warranty

MASTERACK® commercial van and pickup equipment is warranted to be from defects in material and workmanship, under normal use and service for a period of one (1) year from date of purchase. Factory installations, and products installed in new vehicles by an authorized MASTERACK® installer are warranted for (3) years or 36,000 miles (60,000 KM), whichever comes first. **This warranty covers only repairs, or at MASTERACKS' discretion, replacement to correct any defects related to materials and workmanship.**

This warranty does not apply to:

- Additions, alterations, or installations made by persons including dealers, other than MASTERACK® and its authorized distributors, made in accordance with MASTERACK® specifications and / or instructions, nor to defects arising out of attribute to such additions, alterations or installations.
- Defects attributable to abuse or misuse of the product, misapplication, negligent accident, modification or tampering.
- Damage resulting from failure to promptly notify and comply with the instructions of the dealer or manufacturer about defects when noted.
- Any incidental or consequential damages connected with a defect, either while under warranty or afterward, including the cost of a rental truck and / or loss or revenue.

THE WARRANTY IS THE ONLY WARRANTY APPLICABLE TO A MASTERACK PRODUCT PURCHASE. ALL OTHER WARRANTIES, EXPRESSED OR IMPLIED, INCLUDING BUT NOT LIMITED TO, THE IMPLIED WARRANTIES OR MERCHANTABILITY AND FITNESS FOR A PARTICULAR PURPOSE ARE DISCLAIMED. MASTERACK® AND ITS SUBSIDIARIES, SHALL NOT BE LIABLE FOR ANY INCIDENTAL OR CONSEQUENTIAL DAMAGES ARISING OUT OF ANY BREACH OF THIS WARRANTY, NOR SHALL THE DAMAGES EXCEED THE RETURN AMOUNT OF THE PURCHASE PRICE PAID BY THE ORIGINAL PURCHASER.

Warranty claims must be submitted to either your sales representative or a customer service representative at **1-800-222-8785**. The vehicle must be delivered to the original MASTERACK® authorized dealer for inspection and any warranty service. Any warranty service to be performed by a source other than MASTERACK® location or an approved MASTERACK® distributor must be authorized in advance of the repairs by the MASTERACK® Warranty Administrator and a purchase order issued by MASTERACK® in advance or repairs for the authorized repairs.