



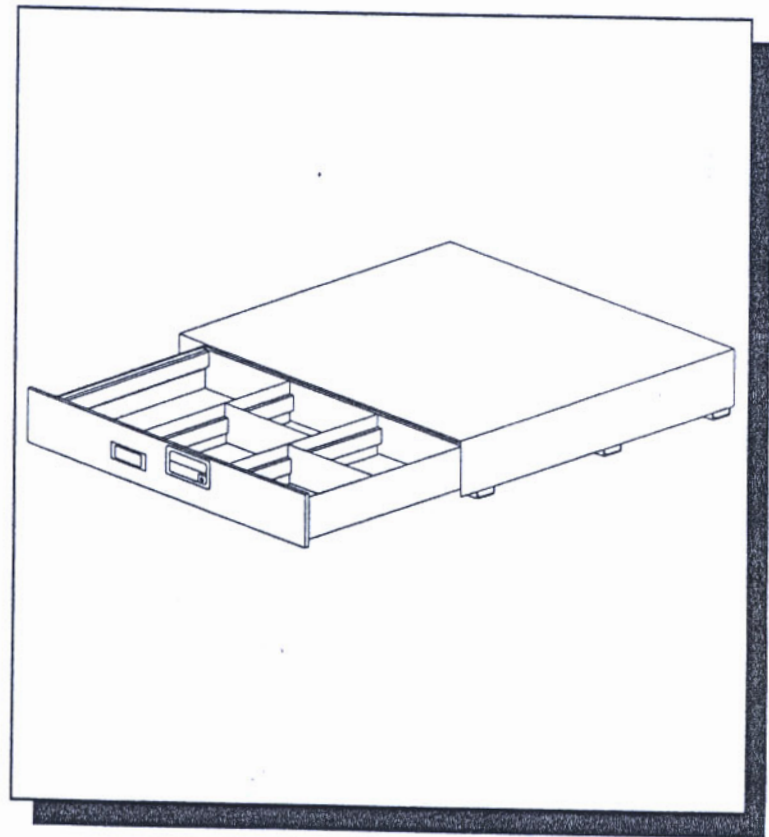
# MASTERACK®

1-800-222-8785

[www.masterack.com](http://www.masterack.com)



## MASTERACK®



Review all installation instructions before proceeding with the assembly.

## MODEL NUMBERS

CP1051                      CP2051                      CP3051                      CP4051

CP4051M

## IDENTIFY ACCESSORY

The accessory model number is noted on the box and the packing list. This model number shall identify the accessory. Place your accessory model number here:

\_\_\_\_\_

## RECOMMENDED TOOLS

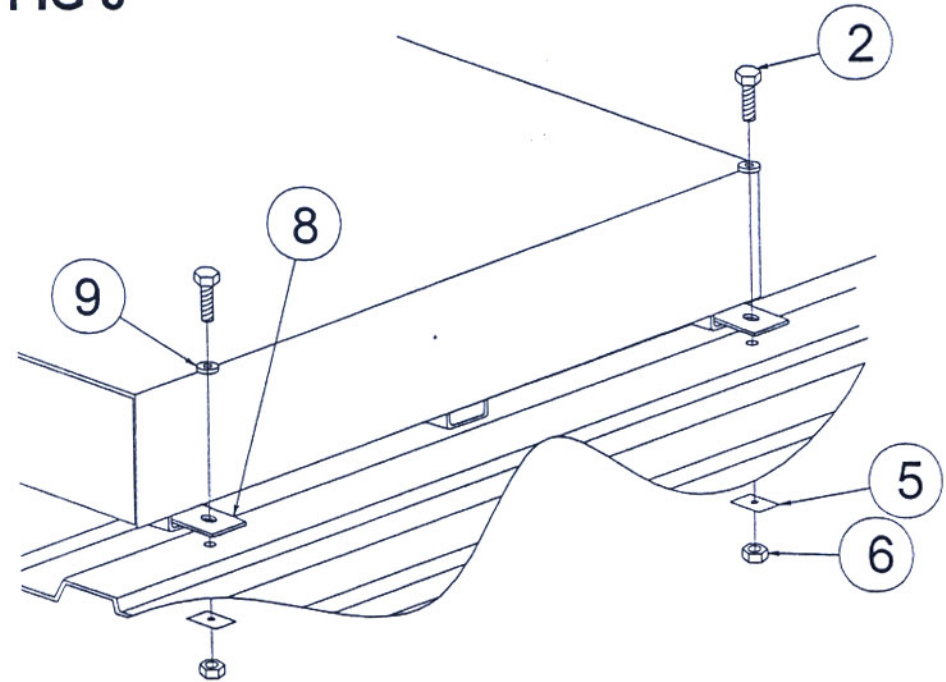
Drill  
Wrenches: 1/2", 5/8", 7/8"

Drill bits: 3/8", 11/32"

## PARTS LIST

ITEM	QTY	PART NO.	DESCRIPTION
1	1	CP_051_	DRAWER ASMB-CROWN PAK
2	6	RM516706	HEX HEAD SCREW 5/16-18x1.25
3	6	RM520127	PLUSNUT-PREBULB 5/16-18
4	6	RM560143-1	SPACER
5	6	111913	PLATE
6	6	RM520310C	LOCKNUT 5/16-18
7	1	132576	PLUSNUT TOOL
8	6	135109-1PS	MOUNTING PLATE
9	6	RM541081	FLAT WASHER 5/16
10	6	RM541085	EXTERNAL TOOTH WASHER
11	6	RM510454	SCREW 5/16-18X2

## FIG 6



### STEP 4

Carefully replace drawer into CROWN PAK body and reattach stop bracket and hardware.

Should the drawer not latch securely, loosen the striker pin with a 5/8" wrench. Slide striker pin to required location and tighten.

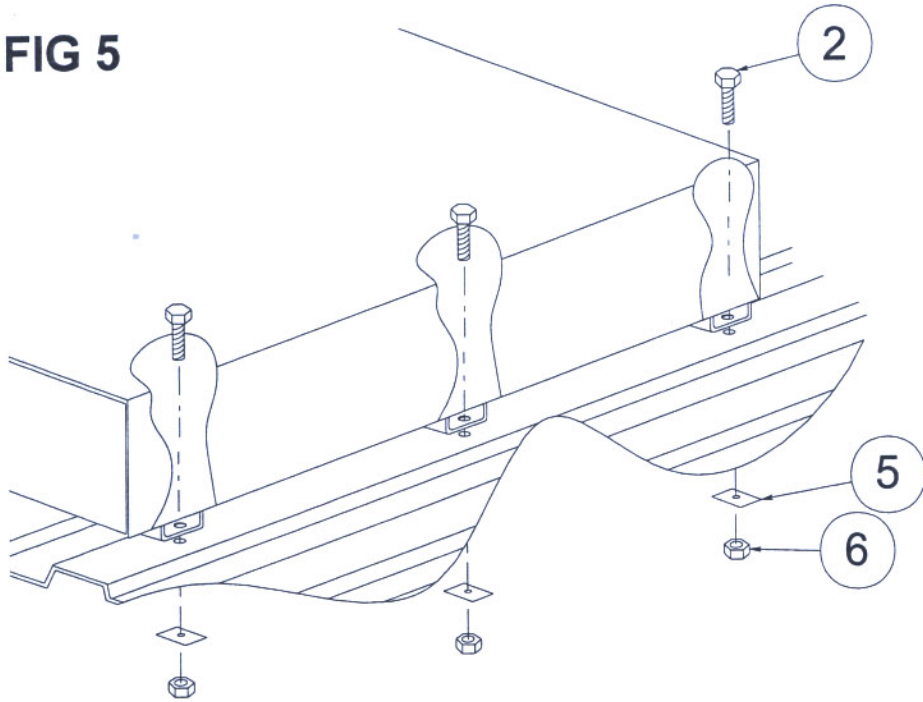
**NOTICE:** Any modification or unintended use of this product shall void all manufacturer's warranties.

**INSTALLATION C:** Place CROWN PAK body in desired location. Mark center of holes at each end of mounting channels. Remove the body and drill at the (6) hole locations. Drill 3/8" diameter holes. Locate (6) PLATES (item 5), (6) 5/16-18x1.25 HEX HEAD SCREWS (item 2), and (6) 5/16-18 LOCK NUTS (item 6)

Secure CROWN PAK to floor of vehicle.

SPACERS (item 4) are provided for locations that might need them. See **Figure 4**.

**FIG 5**



**INSTALLATION D:** Place CROWN PAK body in desired location. Slide MOUNTING PLATE (item 8) into open end of mounting channel. Mark center of holes for drilling. Remove the body and drill 3/8" diameter holes at the (4) hole locations. Locate (4) PLATES (item 5), (4) MOUNTING PLATES (item 8), (4) 5/16 FLAT WASHERS (item 9), (4) 5/16-18x1.25 HEX HEAD SCREWS (item 2), and (4) 5/16-18 LOCK NUTS (item 6).

Secure CROWN PAK to floor of vehicle. **You must use all (4) MOUNTING PLATES, (1) at each corner.** If this is not possible refer to options **A, B, or C**. SPACERS (item 4) are provided for locations that might need them. See **Figure 6**.

**STEP 1**

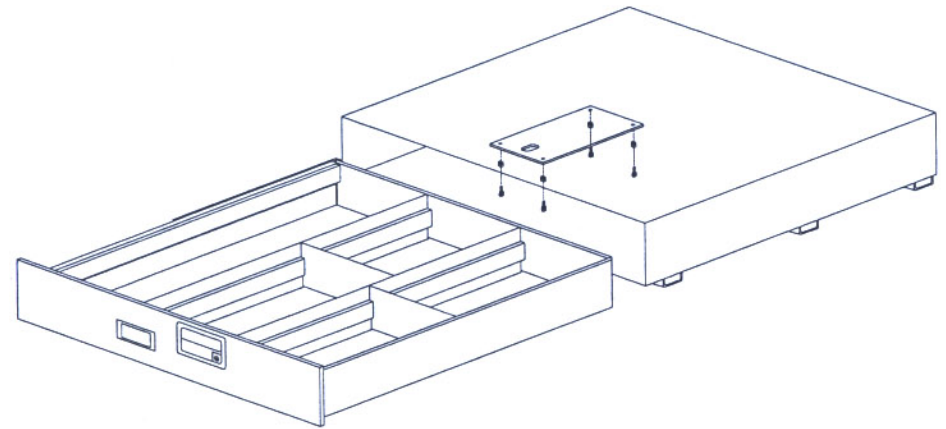
Open CROWN PAK drawer and pull out until it reaches internal stop bracket. Remove the stop bracket from upper inside location by removing (4) bolts and (4) lock washers. See **Figure 1**.

Place stop bracket, bolts, and lock washers inside the drawer for later reattachment.

**NOTE:** Large drawers should be handled by two people to prevent personal injury.

Carefully pull drawer completely out of CROWN PAK body. Set drawer aside.

**FIG 1**



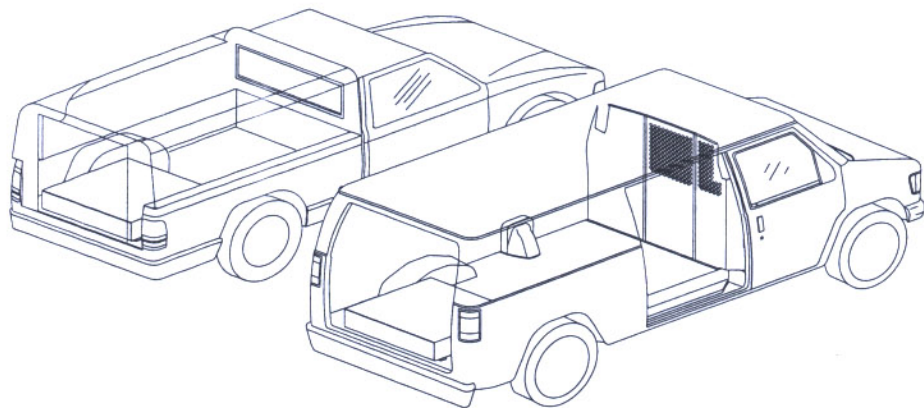
**STEP 2**

Place CROWN PAK body in desired location inside vehicle. Check to make sure location does not interfere with door or tailgate closure. See **Figure 2**.

Check the underside of vehicle for location of wiring, brake and fuel lines. All fasteners should have at least a 2" clearance to any fuel lines or tank.

There are (3) mounting methods. Determine the best mounting method based on clearance of wiring, brake, or fuel lines.

**FIG 2**



**MOUNTING METHODS**

**BEFORE DRILLING INTO VAN, BE SURE YOU WILL NOT DAMAGE WIRING, BRAKE OR FUEL LINES, AND FUEL TANK.**

**STEP 3**

**INSTALLATION A:** Place CROWN PAK body in desired location. Slide MOUNTING PLATE (item 8) into open end of mounting channel. Mark center of holes for drilling. Remove body for ease of drilling. Drill 3/8" diameter holes. Install (4) 5/16-18 PLUSNUTS (item 3). Refer to PLUSNUT INSTALL INSTRUCTIONS included in PLUSNUT TOOL KIT.

Locate (4) MOUNTING PLATES (item 8), (4) 5/16-18x1.25 HEX HEAD SCREWS (item 2), (4) EXTERNAL TOOTH WASHERS (item 10), and (4) 5/16 FLAT WASHERS (item 9).

With PLUSNUTS installed, replace body in desired location. Secure CROWN PAK to floor of vehicle. See **Figure 3**.

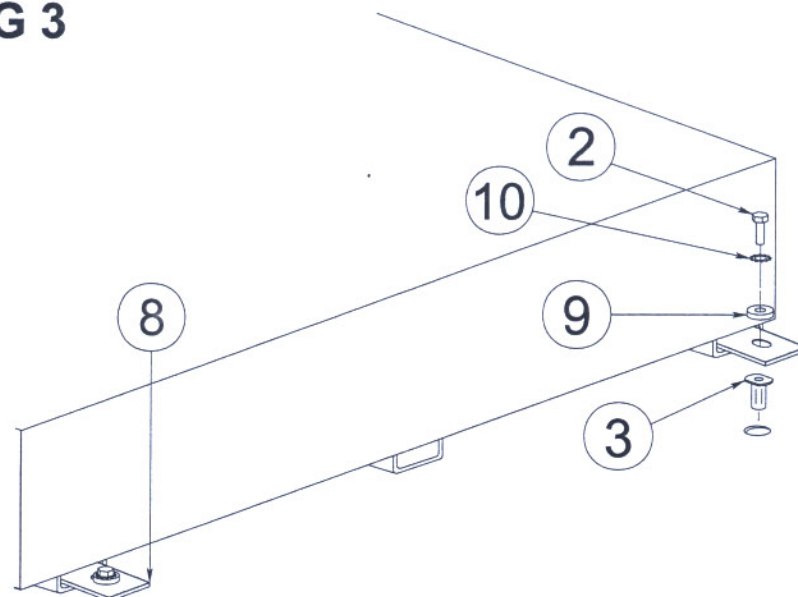
**WARNING: You must use all (4) MOUNTING PLATES, (1) at each corner.** If this is not possible, refer to mounting instructions **B, C, or D**.

**INSTALLATION B:** Place CROWN PAK body in desired location. Mark center of holes at each end of mounting channels. Remove the body and drill at the (6) hole locations. Drill 3/8" diameter holes. Install (6) 5/16-18 PLUSNUTS (item 3). Refer to PLUSNUT install instructions included in PLUSNUT TOOL KIT.

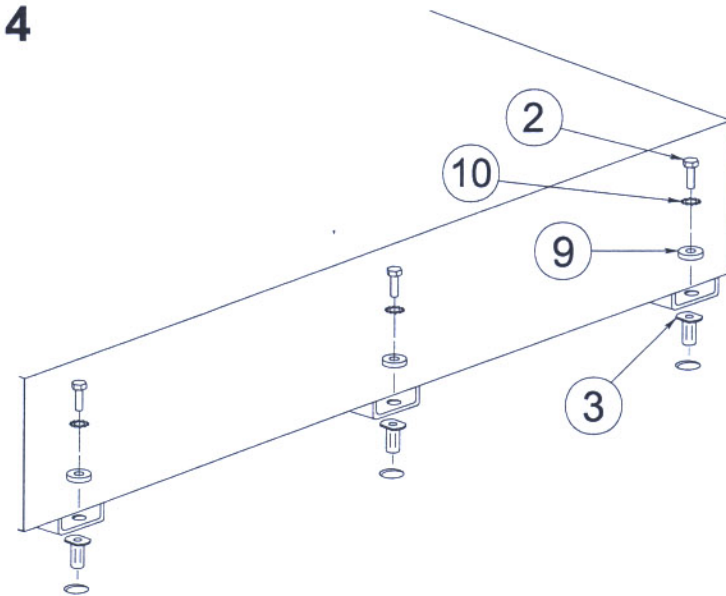
With PLUSNUTS installed, replace body in desired location. Locate (6) 5/16-18x1.25 HEX HEAD SCREWS (item 2), (6) EXTERNAL TOOTH WASHERS

(item 10), and (6) 5/16 FLAT WASHERS (item 9). Secure CROWN PAK to floor of vehicle. See **Figure 4**.  
ons B or C.

**FIG 3**



**FIG 4**



## 3 Year / 36,000 Mile Limited Warranty

MASTERACK® commercial van and pickup equipment is warranted to be from defects in material and workmanship, under normal use and service for a period of one (1) year from date of purchase. Factory installations, and products installed in new vehicles by an authorized MASTERACK® installer are warranted for **(3) years or 36,000 miles (60,000 KM)**, whichever comes first. **This warranty covers only repairs, or at MASTERACKS' discretion, replacement to correct any defects related to materials and workmanship.**

### This warranty does not apply to:

- Additions, alterations, or installations made by persons including dealers, other than MASTERACK® and its authorized distributors, made in accordance with MASTERACK® specifications and / or instructions, nor to defects arising out of attribute to such additions, alterations or installations.
- Defects attributable to abuse or misuse of the product, misapplication, negligent accident, modification or tampering.
- Damage resulting from failure to promptly notify and comply with the instructions of the dealer or manufacturer about defects when noted.
- Any incidental or consequential damages connected with a defect, either while under warranty or afterward, including the cost of a rental truck and / or loss or revenue.

**THE WARRANTY IS THE ONLY WARRANTY APPLICABLE TO A MASTERACK PRODUCT PURCHASE. ALL OTHER WARRANTIES, EXPRESSED OR IMPLIED, INCLUDING BUT NOT LIMITED TO, THE IMPLIED WARRANTIES OR MERCHANTABILITY AND FITNESS FOR A PARTICULAR PURPOSE ARE DISCLAIMED. MASTERACK® AND ITS SUBSIDIARIES, SHALL NOT BE LIABLE FOR ANY INCIDENTAL OR CONSEQUENTIAL DAMAGES ARISING OUT OF ANY BREACH OF THIS WARRANTY, NOR SHALL THE DAMAGES EXCEED THE RETURN AMOUNT OF THE PURCHASE PRICE PAID BY THE ORIGINAL PURCHASER.**

Warranty claims must be submitted to either your sales representative or a customer service representative at **1-800-222-8785**. The vehicle must be delivered to the original MASTERACK® authorized dealer for inspection and any warranty service. Any warranty service to be performed by a source other than MASTERACK® location or an approved MASTERACK® distributor must be authorized in advance of the repairs by the MASTERACK® Warranty Administrator and a purchase order issued by MASTERACK® in advance or repairs for the authorized repairs.