

**RAM PROMASTER 3<sup>RD</sup> CROSSBOW LADDER RACK (02T100KP)**
**Recommended Tools**

Air or Hand Ratchet



1/2" Socket



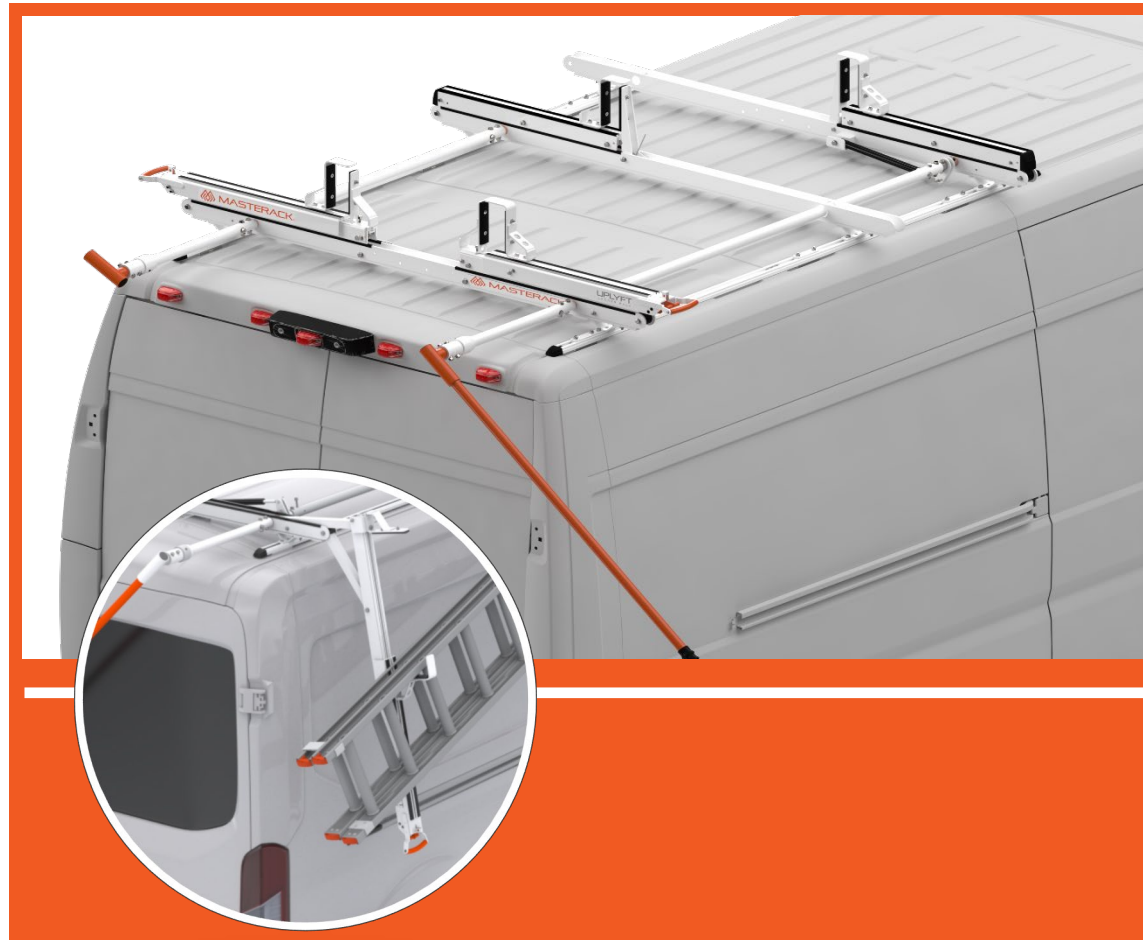
1/2" Combo Wrench



7/16" Combo Wrench



6mm Hex Allen Wrench



PN	DESCRIPTION	QTY
02P675	CROSSBOW ASSY - REAR	1
02P326	CROSSBOW ASSY FRONT UPLYFT	1
02R122	CROSSBOW ASSY 3RD UPLYFT	1
02P328	CONNECTING TUBE UPLYFT	1
02T035	CONNECTING TUBE 3 <sup>RD</sup> CB PM	1
02P103	DROP DOWN ASSY UPLYFT	2
02P393	MIDROOF HANDLE ASSEMBLY	1
02P663	LADDER STOP ASSY FRONT	2
02P664	LADDER STOP ASSY REAR	2
02P665	ROTATION ASSEMBLY MR	2
02P655	FLIP STOP ASSY UPLYFT	2
02P666	HARDWARE BAG UPLYFT	1
02R245	MOUNTING RAIL- PWDRCOAT	2
02T110	RAIL EXTRUSION PM LWB	2
02P148	RAIL CAP UPLYFT	4
02T097	HARDWARE BAG 3 <sup>RD</sup> CB PM	1
02T098	SHIP PK UPLYFT 3 <sup>RD</sup> CB PM	1

**UPLYFT™ LADDER RACK SYSTEM**

Before installation, review this document to ensure that all parts and hardware are included in the package.

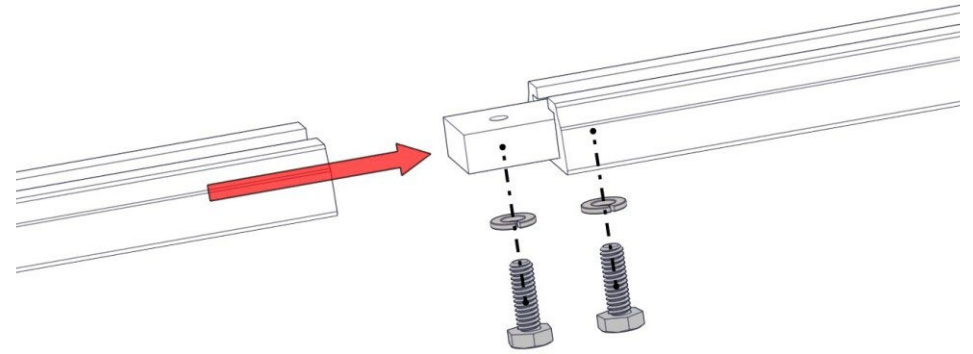
In the event that parts are missing, please contact Masterack at 1-800-222-8785 to re-order missing parts.

**BEFORE INSTALLATION, PLEASE REVIEW THIS ENTIRE DOCUMENT, UNTIL YOU ARE COMPLETELY FAMILIAR WITH ALL STEPS BEFORE BEGINNING. A "PRACTICE RUN" OF THESE STEPS/PROCEDURES MAY BE HELPFUL TO ASSIST YOU IN FAMILIARIZING YOURSELF THOROUGHLY AND AVOID COSTLY ERRORS.**



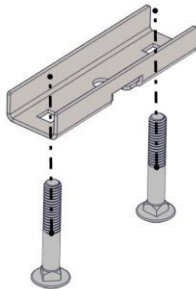
**Step 1**

Slide receiver block (02P118) into Front mounting rails (02T110) and Rear mounting rails (02R245)



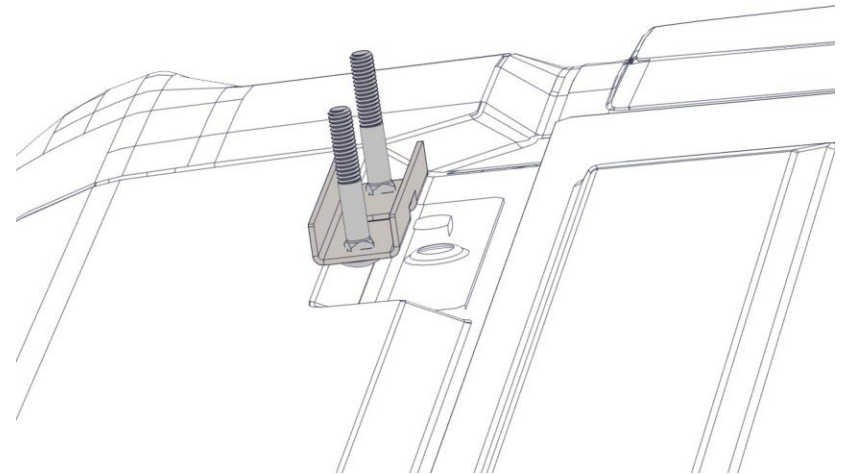
**Step 2.**

Slide joining block (02P125) into channels. Fasten with 1/4" lock washers and 1/4" X 1" hexbolts. Tighten with 7/16" wrench



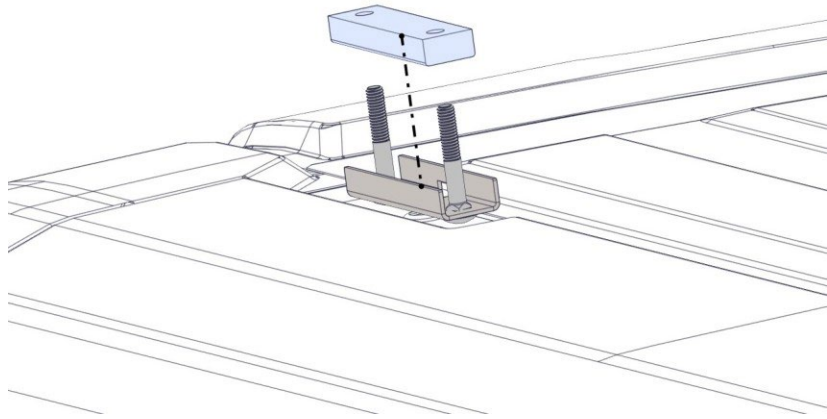
**Step 3.**

Install 2 of the Carriage Bolts 5/16" x 2" bolts into base bracket (repeat 6 times).

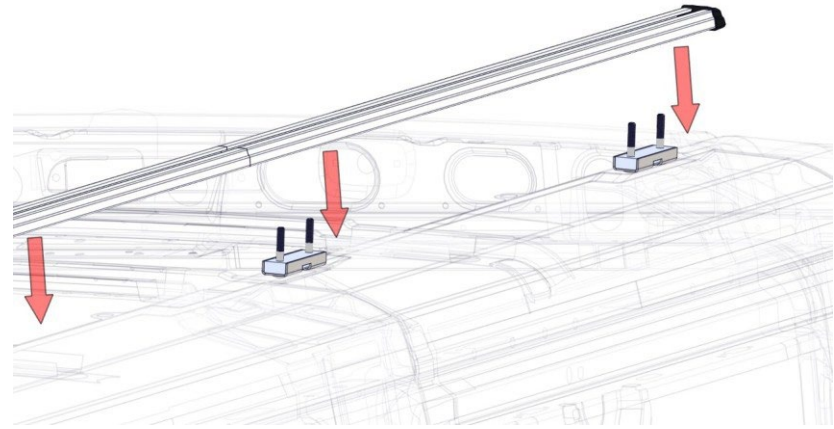


**Step 4.**

Install base brackets on vehicle by locating mounting tabs on top of vehicle. Pull tabs up and slide the bracket underneath. Repeat for all 6 locations.



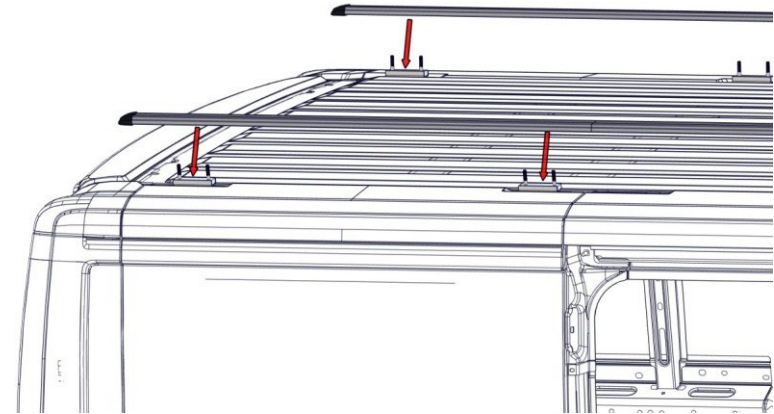
**Step 5.**  
Install spacer 02P759 inside base brackets. Repeat for all 6 locations.



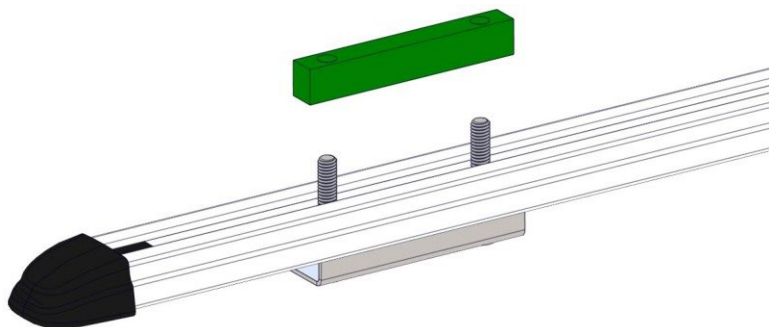
**Step 6.**  
Place rails on top of vehicle and slide receiver blocks from Step 2 all the way forward.



**Step 7.**  
Starting at the rear of the vehicle, use the 1<sup>st</sup> hole as shown.



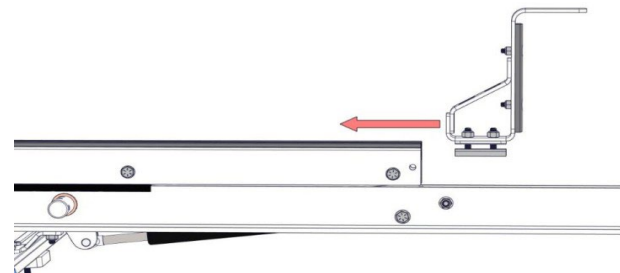
**Step 7.**  
Place the rail on top of the base brackets.



**Step 8.**  
Install bolt spacers 02P790 as shown over the bolts inside the channel.



**Step 9.**  
Slide ladder stop (02P664) inside drop down, and tighten with 9/16 socket or wrench



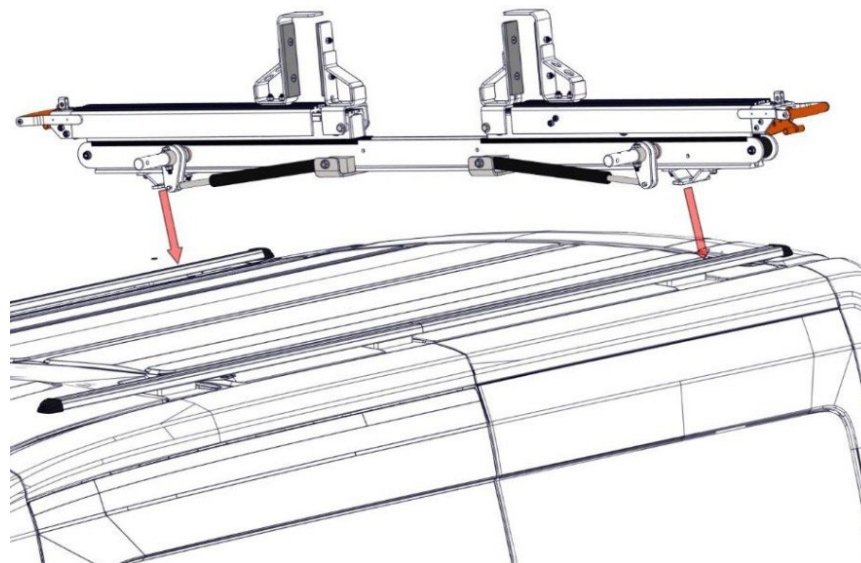
**Step 9.**  
Slide ladder stop (02P664) tighten bolts using 9/16 socket or wrench.

## IMPORTANT TO NOTE:

A BLUE sticker indicates the REAR Crossbows (02P326)

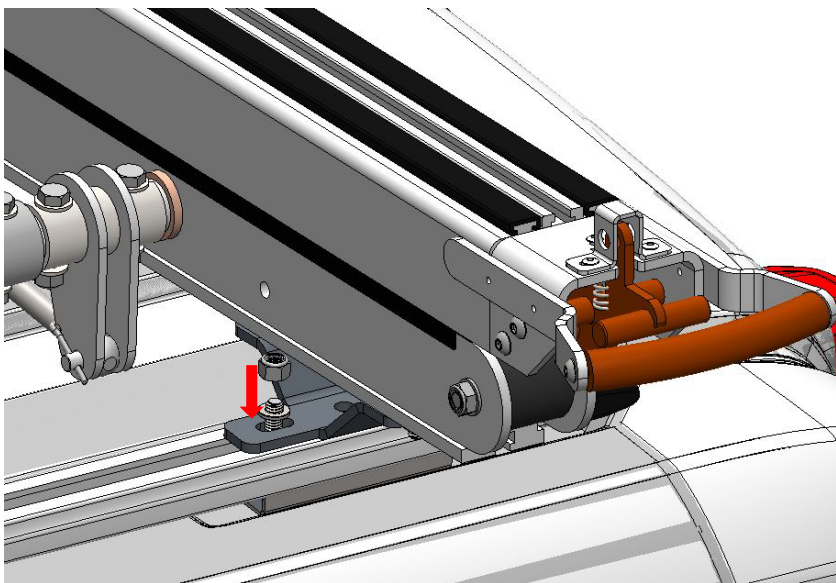


A GREEN sticker indicates the FRONT Crossbows (02675)

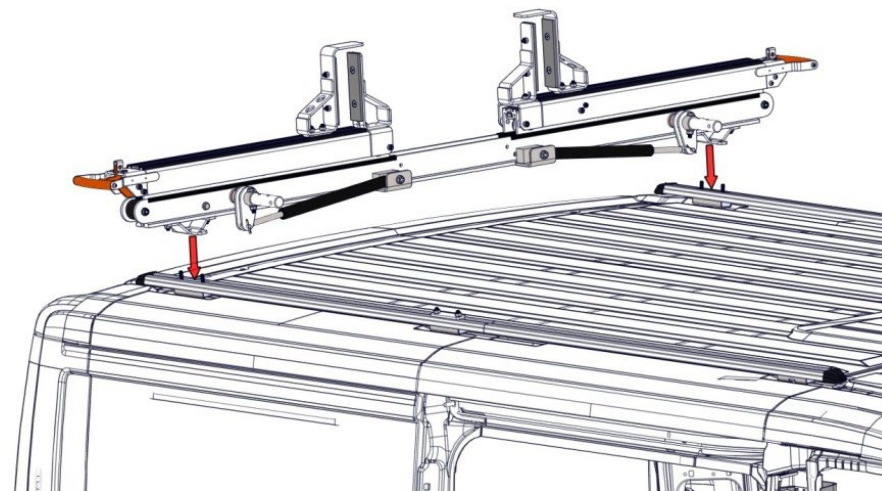


**Step 10.**  
Lay rear crossbow across mounting rails

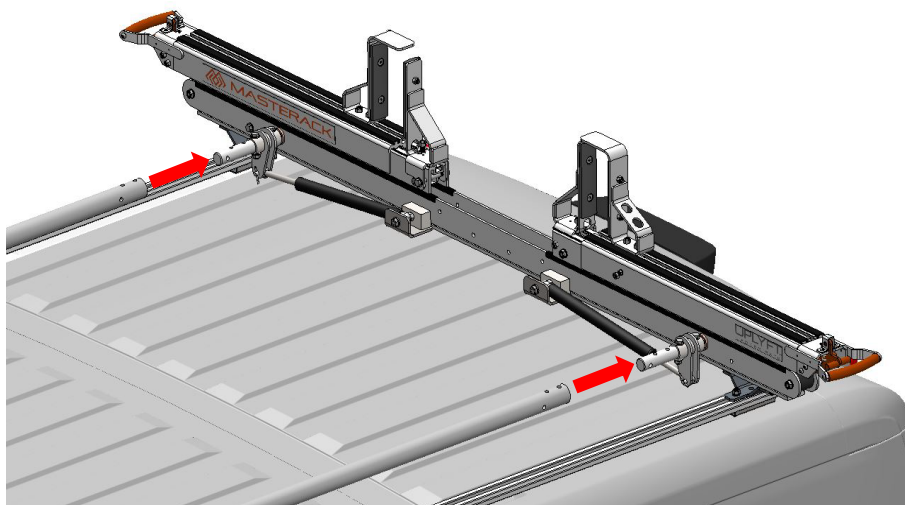




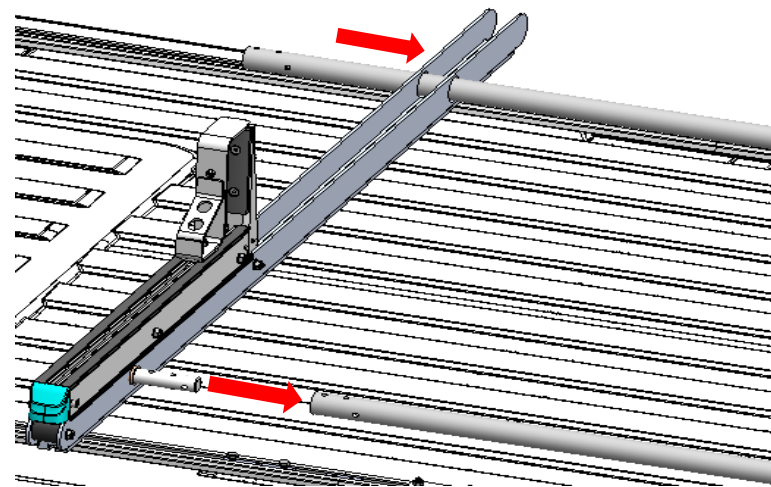
**Step 11.**  
Install 5/16 SS nuts 02P168 (4) onto bolts as shown above. apply anti-seize to bolts; **DO NOT TIGHTEN**



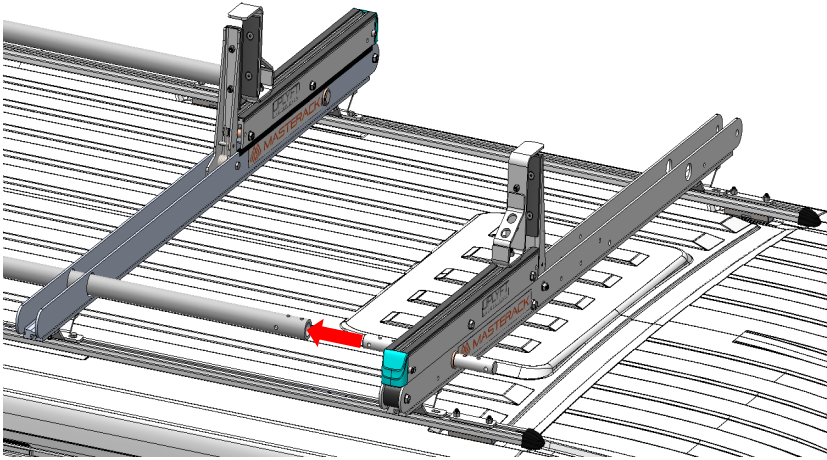
**Step 12.**  
Install rear crossbow over base brackets and tighten 4 5/16" nuts (02P168)



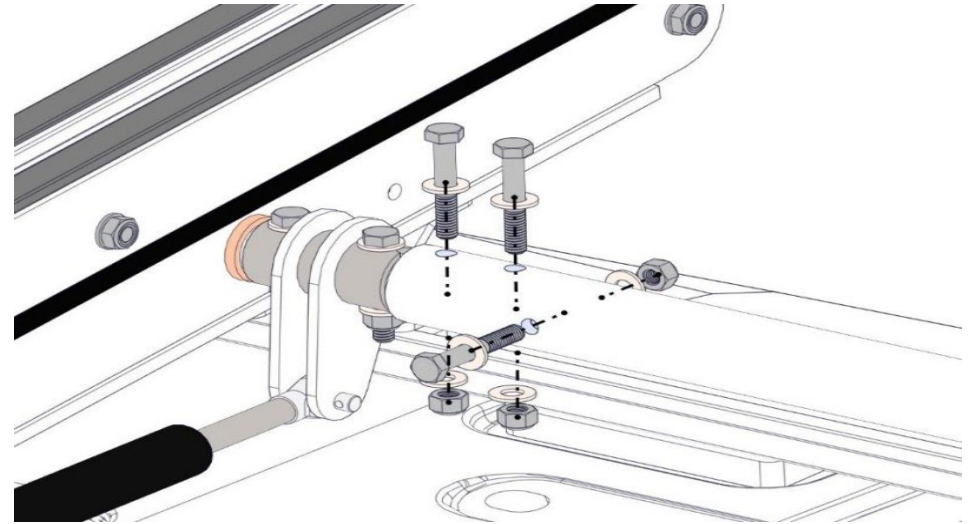
**Step 13.**  
Install the connecting tube 02P328 & 02R035 into the rear crossbow assembly.



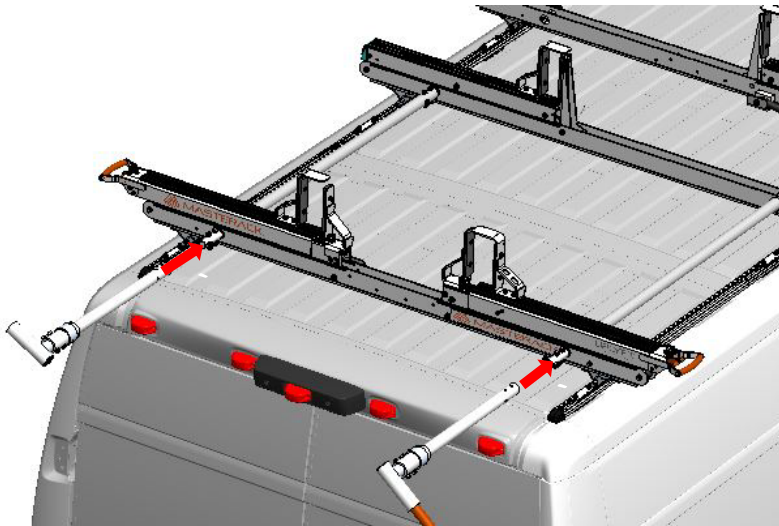
**Step 14.**  
Install middle crossbow through the long connecting tube, and into the short



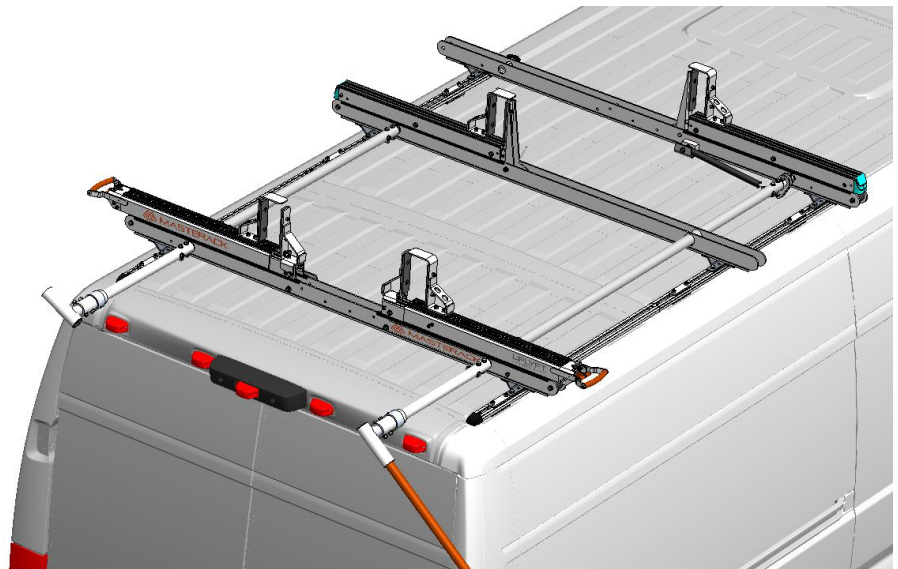
**Step 15.**  
Set the front crossbow in place and slide into the connecting tube



**Step 16.**  
Using a 1/2" wrench and 1/2" impact wrench, install and tighten the connecting tube 5/16" x 2" bolts with the 5/16" washers and 5/16" lock nuts (02P168).



**Step 17.**  
Install and tighten the handle assembly Using a 1/2" wrench and 1/2" impact wrench, 5/16" x 2" bolts with the 5/16" washers and 5/16" lock nuts 02P168.



**Step 18.**  
Assembly after installation