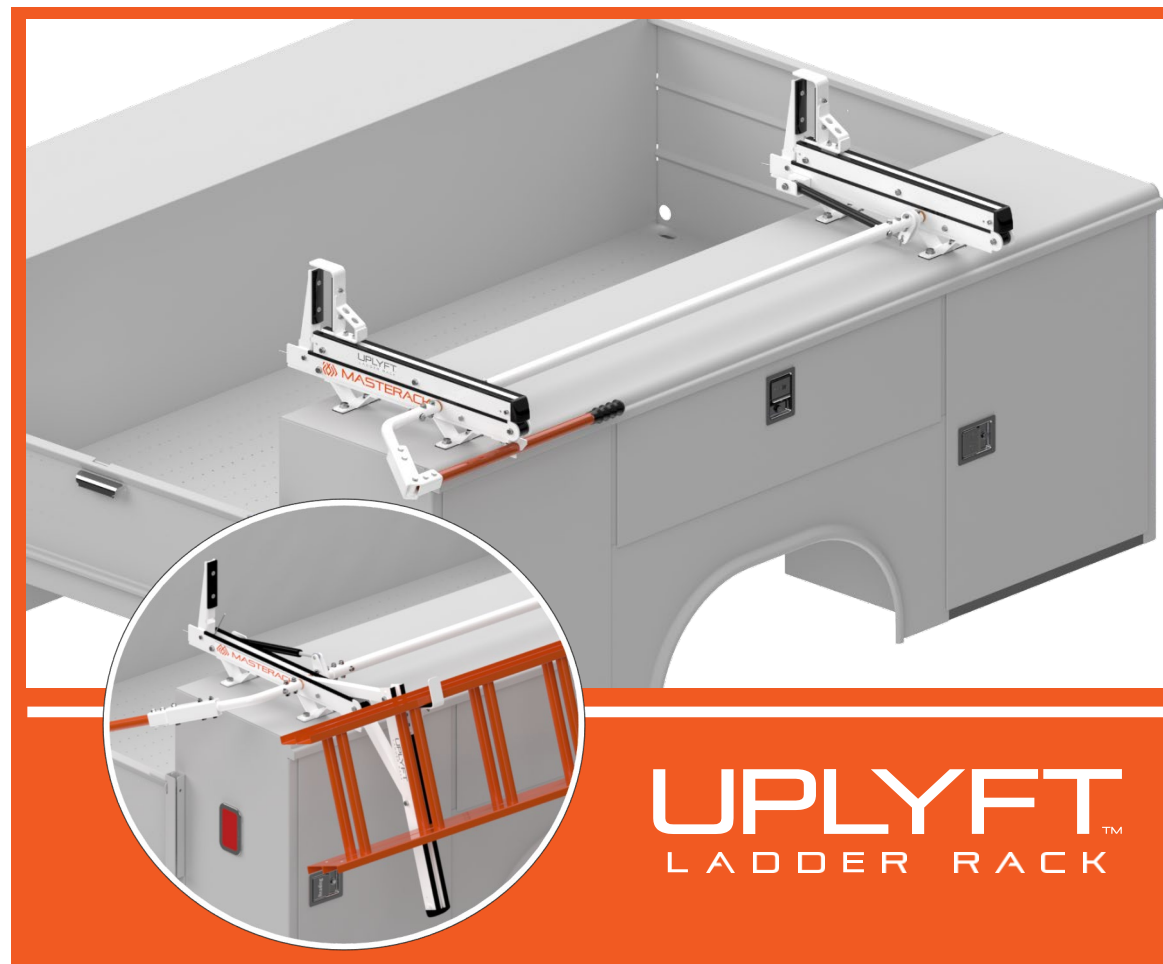
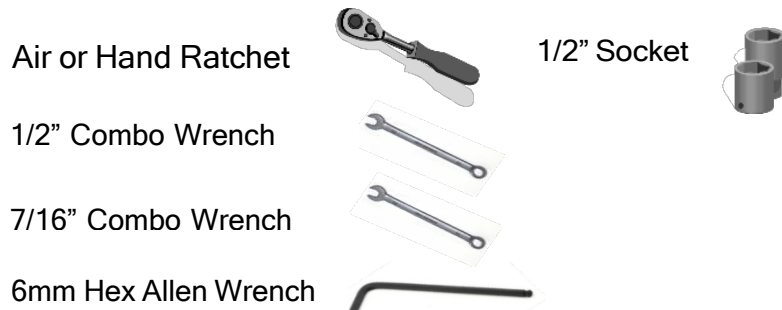


Recommended Tools



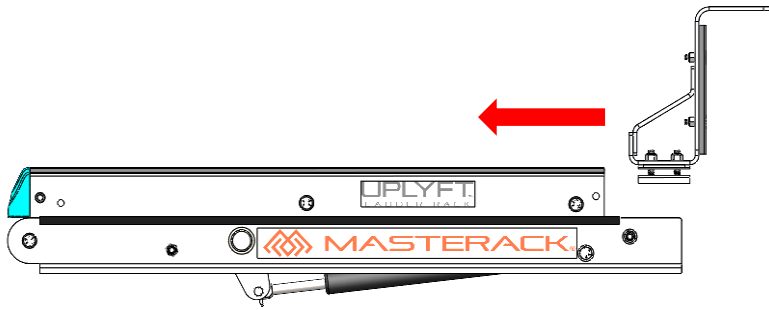
UPLYFT™
 LADDER RACK

PN	DESCRIPTION	QTY
02S858	SB L/R CROSSBEAM ASSY FRONT	1
02S859	SB L/R CROSSBEAM ASSY REAR	1
02P328	CONNECTING TUBE UPLYFT	1
02P663	LADDER STOP ASSY FRONT	1
02P664	LADDER STOP ASSY REAR	1
02S861	FOLDING HANDLE ASSY UPLYFT	1
02S971	LATCH ASSY FOLDING HANDLE	1
02S856	MOUNTING FOOT SB L/R	4
02S857	SHT UNDER MOUNT	4
02S995	RUBBER FOOT MOUNT SB L/R	4
02S996	HARDWARE BAG SB L/R	1

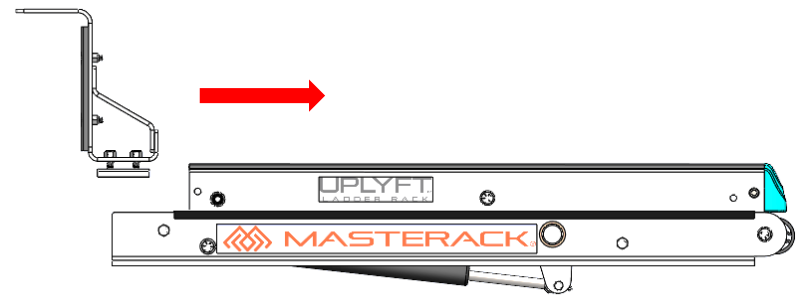
UPLYFT™ LADDER RACK SYSTEM

Before installation, review this document to ensure that all parts and hardware are included in the package.
 In the event that parts are missing, please contact Masterack at 1-800-222-8785 to re-order missing parts.

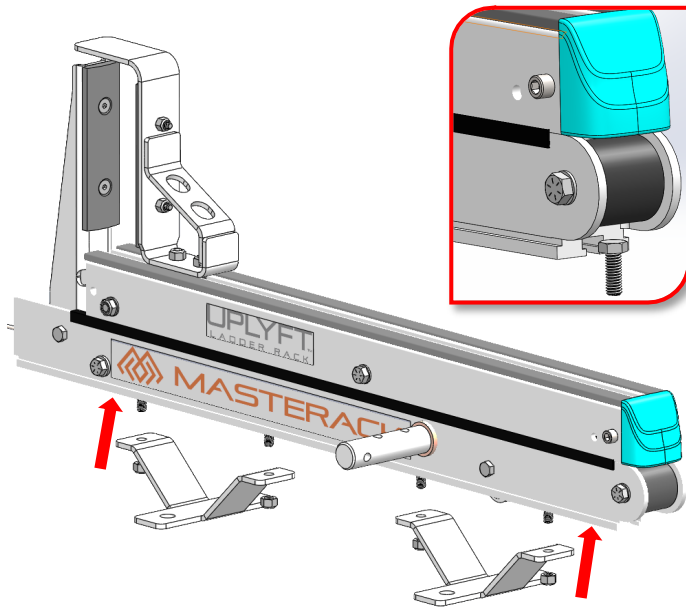
BEFORE INSTALLATION, PLEASE REVIEW THIS ENTIRE DOCUMENT, UNTIL YOU ARE COMPLETELY FAMILIAR WITH ALL STEPS BEFORE BEGINNING. A "PRACTICE RUN" OF THESE STEPS/PROCEDURES MAY BE HELPFUL TO ASSIST YOU IN FAMILIARIZING YOURSELF THOROUGHLY AND AVOID COSTLY ERRORS.



Step 1.
Slide ladders stop (02P664) tighten bolts using 9/16 socket or wrench.



Step 2.
Slide ladders stop (02P663) tighten bolts using 9/16 socket or wrench.



Step 3.
Insert 5/16" x 7/8" SS bolt 4 number into the Crossbeam, install mounting foot through bolts using 5/16" lock nuts (02P168). **DO NOT TIGHTEN**

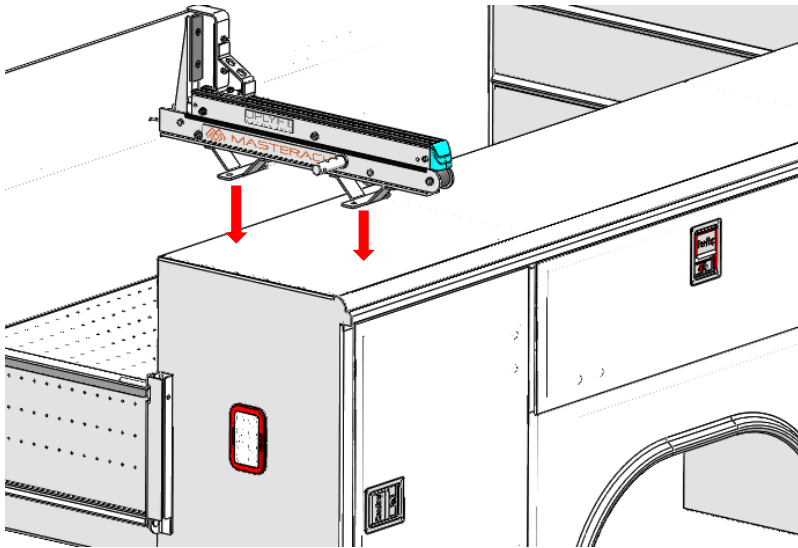
IMPORTANT TO NOTE:

A BLUE sticker indicates the REAR Crossbow (02S859)

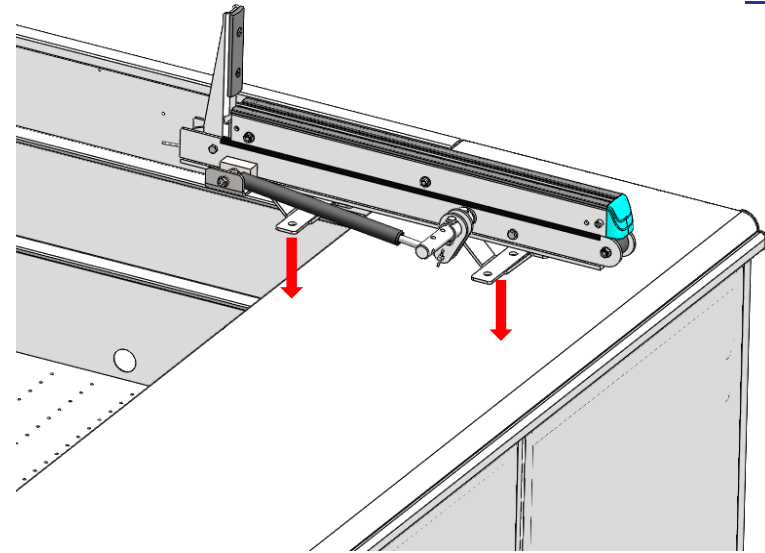


A GREEN sticker indicates the FRONT Crossbow (02S858)

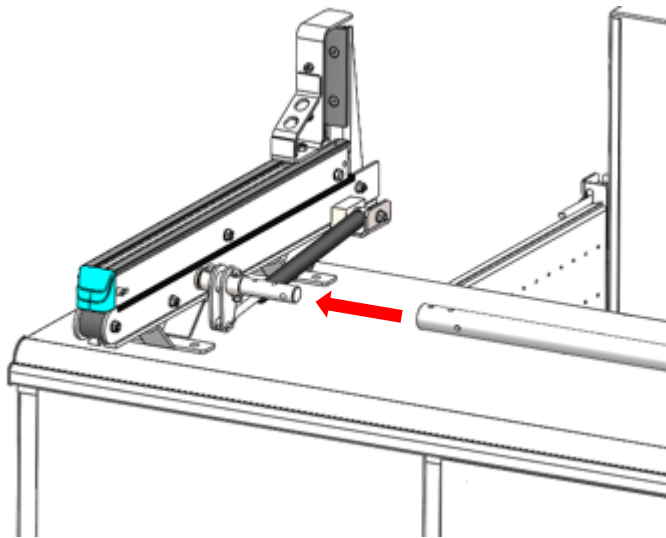




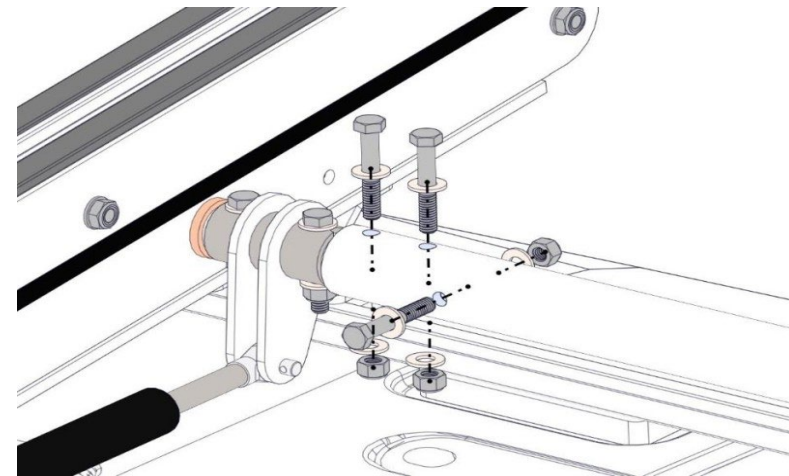
Step 4.
Lay rear crossbow assembly on curb side of Service body.



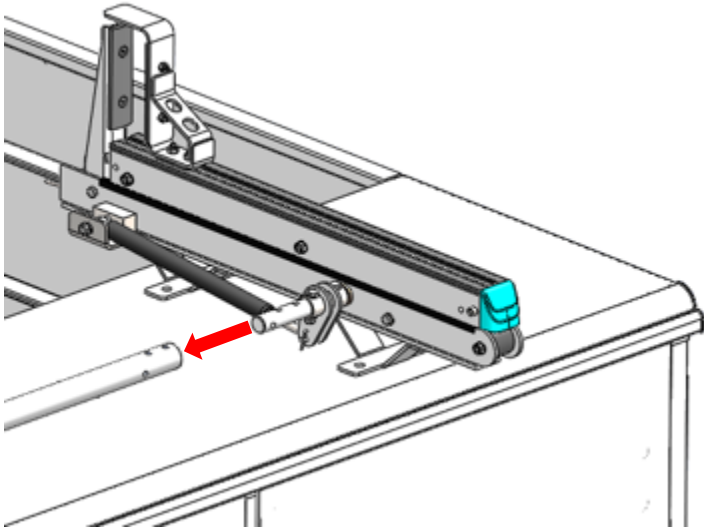
Step 5.
Lay front crossbow assembly on curb side of Service body.



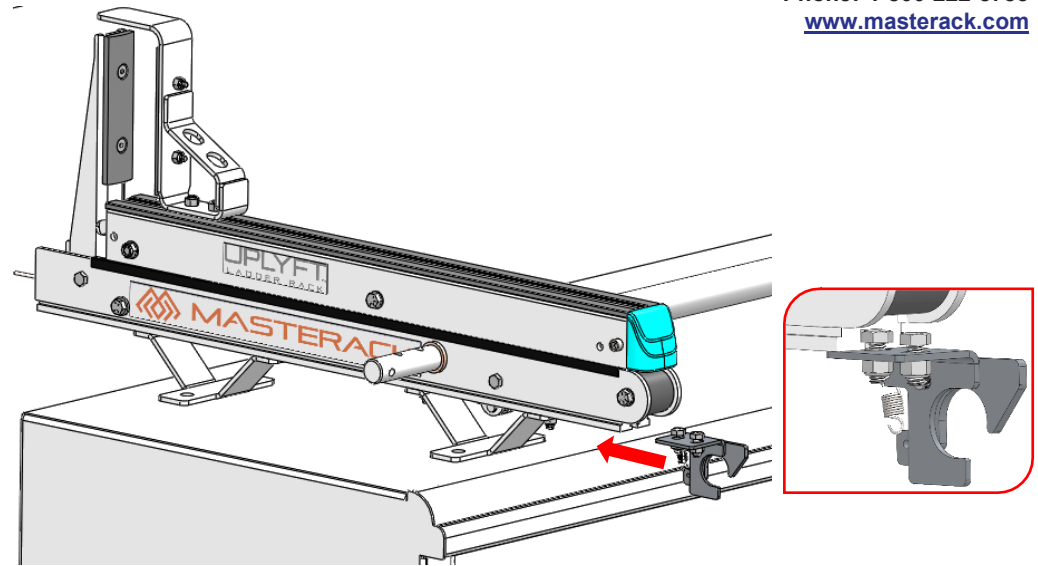
Step 6.
Slide connecting tube into the rear crossbow.



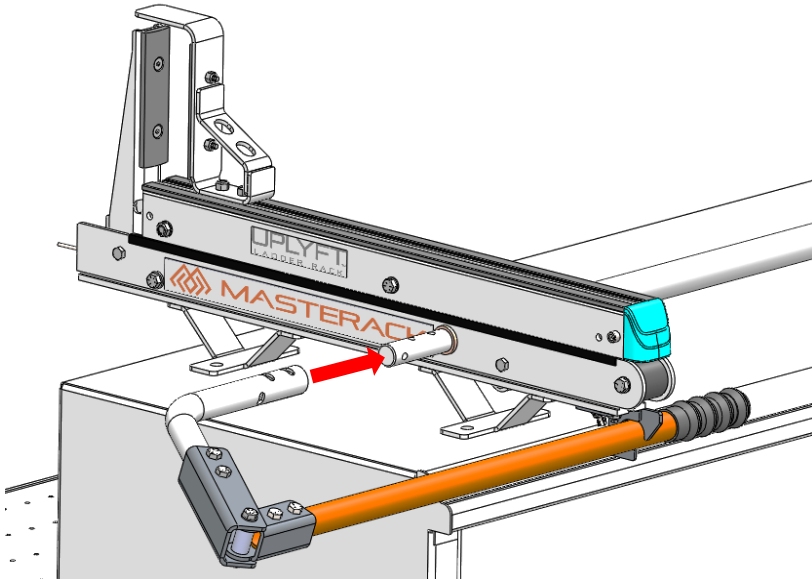
Step 7.
Using a 1/2" wrench and 1/2" impact wrench, install and tighten the connecting tube 5/16" x 2" bolts with the 5/16" washers and 5/16" lock nuts (02P168).



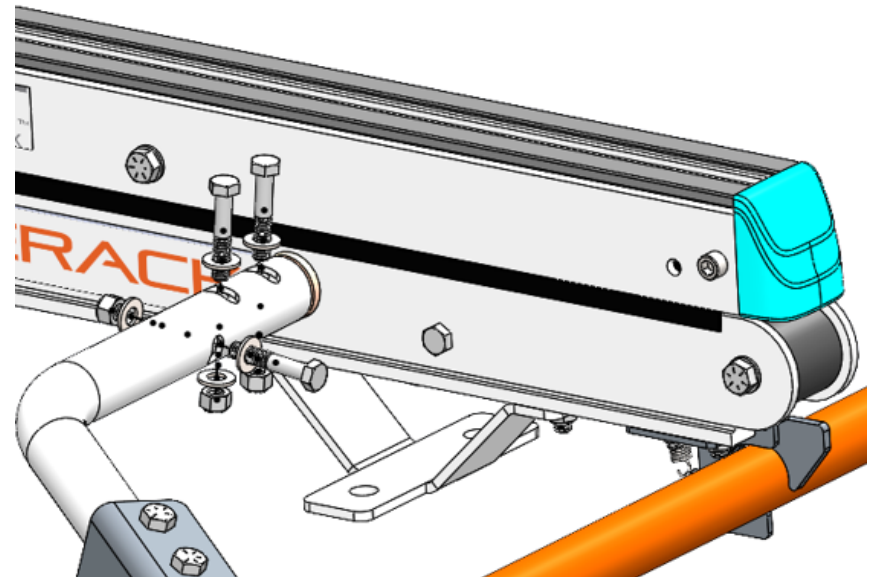
Step 8.
Slide front crossbow into the connecting tube and repeat step 7



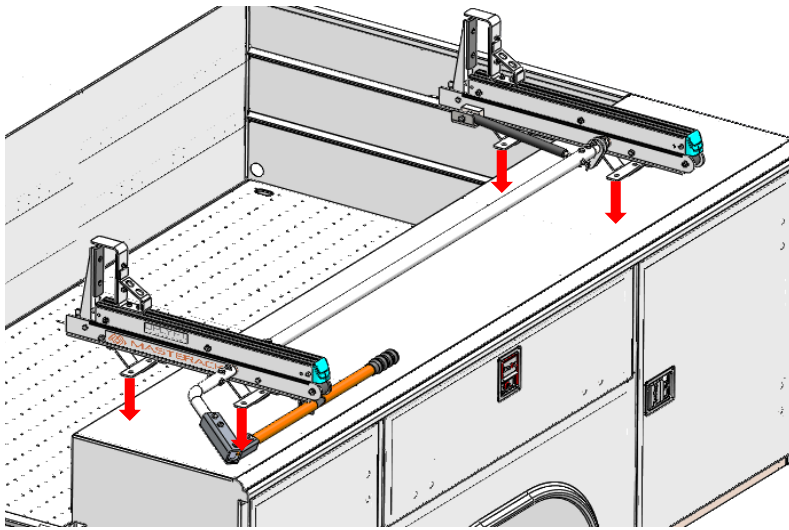
Step 9.
Slide latch assembly into the crossbeam and tighten the lock nuts (2) (02P168).



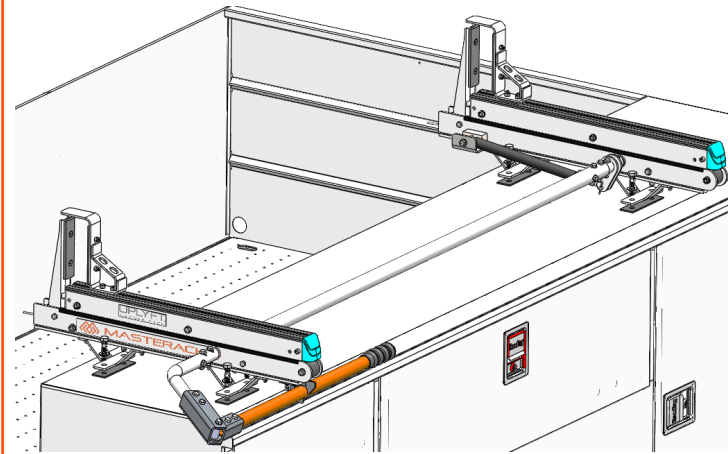
Step 10.
Install folding handle assembly into the rear crossbow



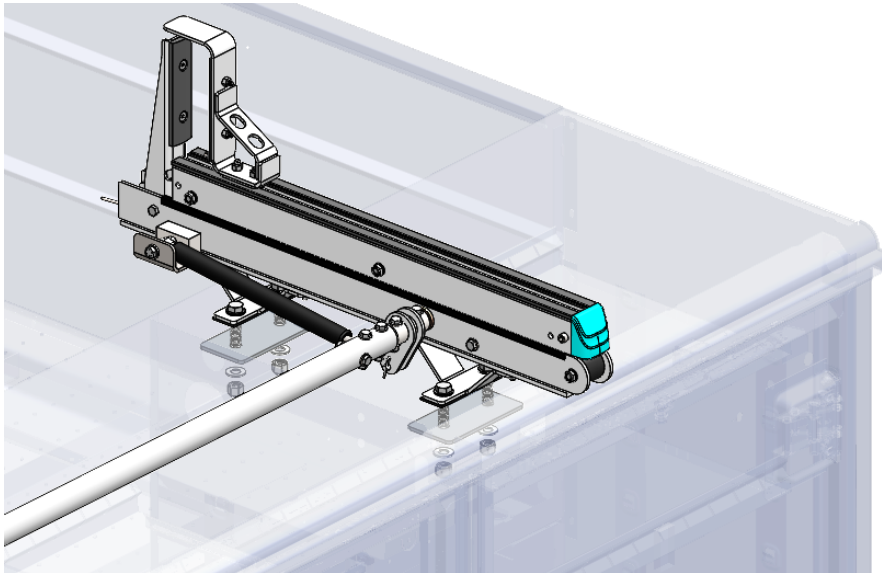
Step 11.
Using a 1/2" wrench and 1/2" impact wrench, install and tighten the connecting tube 5/16" x 2" bolts with the 5/16" washers and 5/16" lock nuts (02P168).



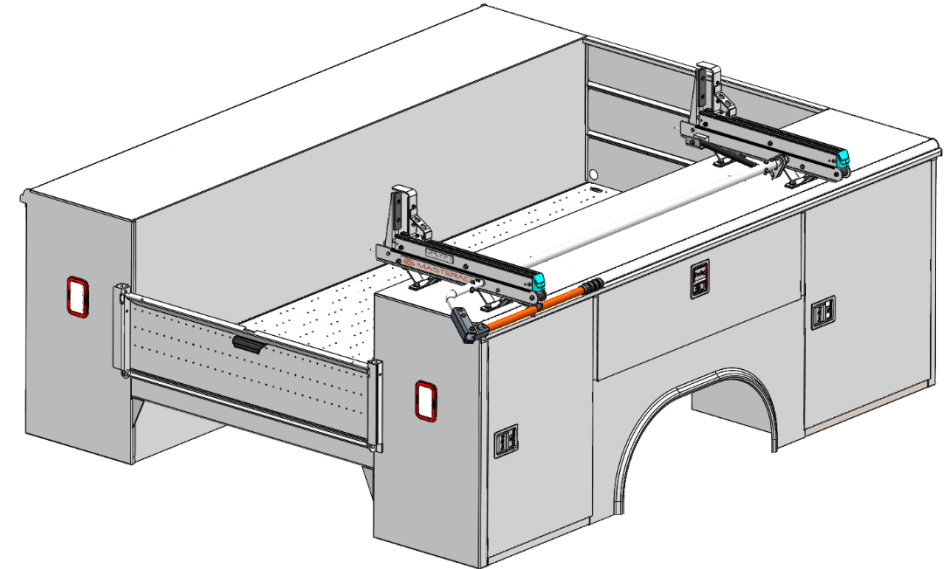
Step 12.
Lay Ladder rack assembly on curb side, adjust foot bracket (02S856) as per the service body compartment width and mark holes 8 locations through foot mount.



Step 13.
Drill 1/2" holes at marked locations and install 1/2" X 2" bolts (8) with 1/2" sealing washer (8) through rubber part.



Step 14.
Install 1/2" nuts (8) with 1/2" washer (8) with undermount sheet (02S857) and tighten.



Step 15.
Assembly after installation