



SPRINTER & METRIS VANS



MASTERACK[®]

TAILOR FIT FOR A JOB DONE RIGHT

Sprinter

Heavy Duty Steel Packages

MASTERACK®'s strong and durable steel interiors are designed to handle the toughest applications. These high quality, heavy duty interiors have been the number one choice for many commercial fleets for more than 45 years. Cost effective and reliable, a MASTERACK® steel package will help keep fleets organized on the road for years to come.

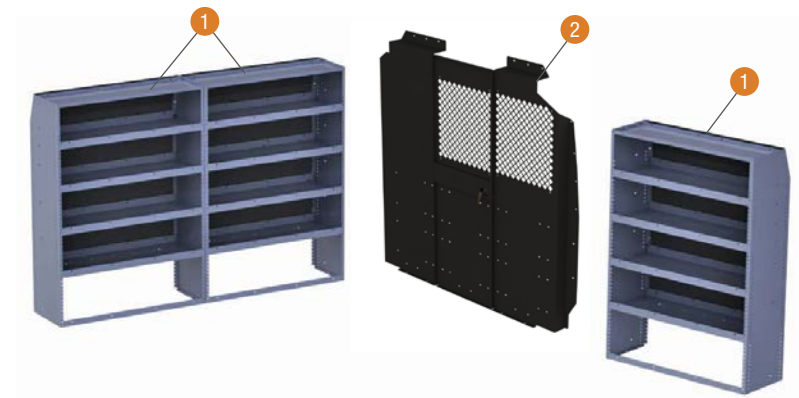


Packages Fit Both Standard Roof and High Roof



STANDARD STEEL BASE PACKAGE			
Item #	Part #	Description	Qty.
1	022434KP	Steel Shelving Module 46"H x 43"W x 16"D	2
2	027546KP	Steel Shelving Module 46"H x 43"W x 12"D	1
3	02A368KP	Steel Partition with Hinged Door	1

**Partitions for high roof Sprinters must be ordered with 02A375KP attachment panel.*

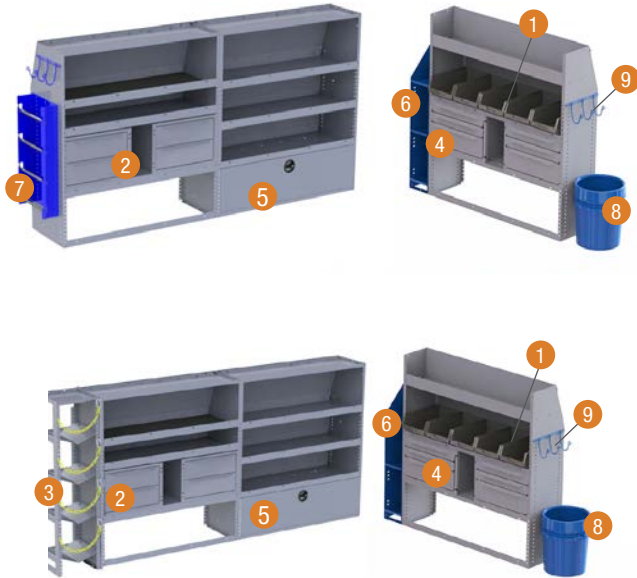


TALL STEEL BASE PACKAGE			
Item #	Part #	Description	Qty.
1	02A383KP	Steel Shelving Module 60"H x 43"W x 16"D	3
2	02A368KP	Steel Partition with Hinged Door*	1

**Partitions for high roof Sprinters must be ordered with 02A375KP attachment panel.*

Trade Options

Customize any shelving package with the addition of drawers, doors and dividers. Select a few, buy them all, or design a unique interior to suit your needs. Perfect for contractors in all industries!



STANDARD STEEL OPTIONS		
Item #	Part #	Description
1	021471KP	Composite Storage Bins (set of 4)
2	025070KP	2-Drawer Cabinet 16"D
3	025254KP	Quadruple 30# Freon Tank Holder
4	027259KP	3-Drawer Cabinet 12"D
5	027498KP	Locking Storage Door 43"W
6	OSS116KP	Blue Manual Rack
7	OSS117KP	Blue Wire Spool Rack
8	OSS118KP	Blue Storage Bucket
9	OSS119KP	Blue Triple Utility Hook



TALL STEEL OPTIONS		
Item #	Part #	Description
1	025070KP	2-Drawer Cabinet 16"D
2	025254KP	Quadruple 30# Freon Tank Holder
3	027498KP	Locking Storage Door 43"W
4	022528KP	Dividers (set of 5)
5	OSS116KP	Blue Manual Rack
6	OSS117KP	Blue Wire Spool Rack
7	OSS118KP	Blue Storage Bucket
8	OSS119KP	Blue Triple Utility Hook

Steel Partitions

Steel partitions offer maximum cargo security and protection. MASTERACK®'s signature diamond perforations and non-glare black powder coat finish provide increased visibility. Locking center door panels provide access from the cab to the cargo area.



SPRINTER STEEL PARTITION ORDERING GUIDE	
Description	Part #
Partition w/ hinged center door	02A368KP
Attachment panel for high roof*	02A375KP

**For High Roof installations, partitions must be ordered with an attachment panel.*

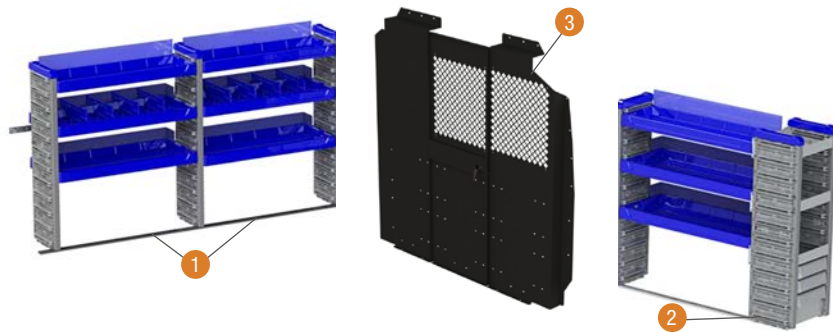


Sprinter Configurable SmartSpace® Packages

Quiet and customizable. The industry's only all composite and aluminum van interior can be easily adjusted in minutes without tools! SmartSpace shelves are made of rugged components engineered to last in the toughest work environments. Sound-absorbing shelves, uprights, and secured drawers deter tools and equipment from rattling while vehicle is in motion. Light color panels enhance visibility inside the cargo area. MASTERACK® offers a variety of shelves, drawers, and accessories that slide into upright panels for infinite storage possibilities.



Standard Roof



STANDARD SMARTSPACE BASE PACKAGE			
Item #	Part #	Description	Qty.
1	0SS150KP	Streetside: 44"H x 74"W x 16"D	1
2	0SS151KP	Curbside: 44"H x 49"W x 16"D	1
3	02A368KP	Steel Partition with Hinged Door	1
4	0SS142KP	Install Kit	1

**Partitions for high roof Sprinters must be ordered with 02A375KP attachment panel.*

High Roof

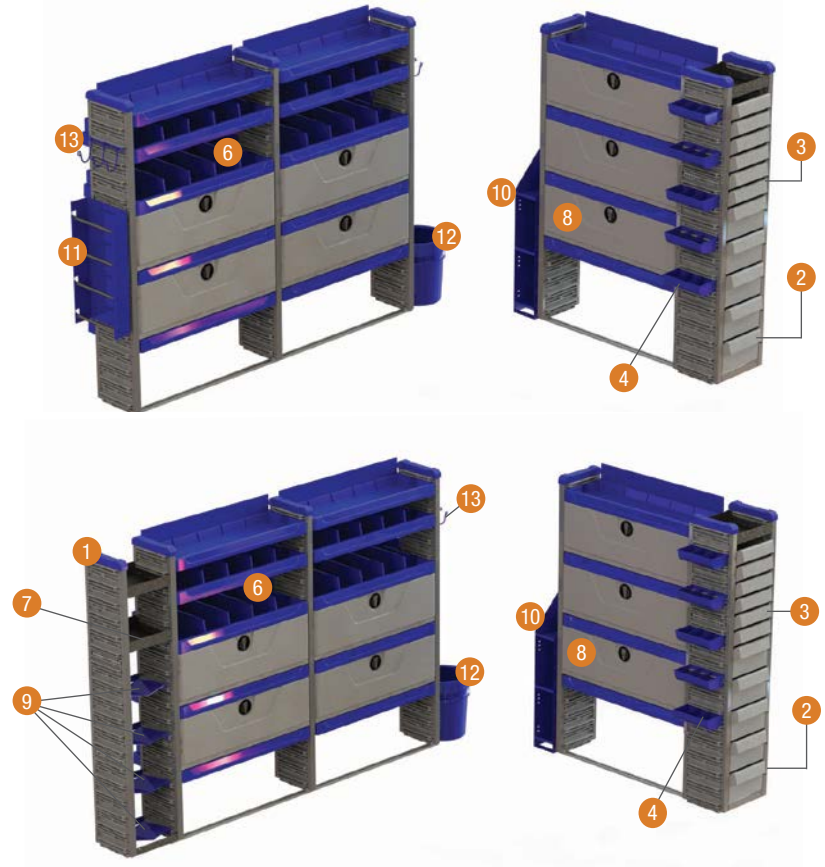
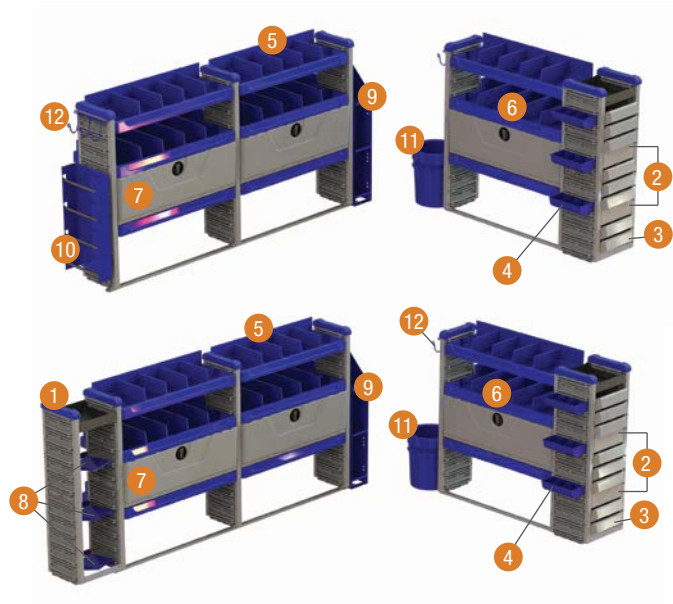


TALL SMARTSPACE BASE PACKAGE			
Item #	Part #	Description	Qty.
1	0SS152KP	Streetside: 66"H x 74"W x 16"D	1
2	0SS153KP	Curbside: 66"H x 49"W x 16"D	1
3	02A368KP	Steel Partition with Hinged Door	1
4	0SS142KP	Install Kit	1

**Partitions for high roof Sprinters must be ordered with 02A375KP attachment panel.*

Trade Options

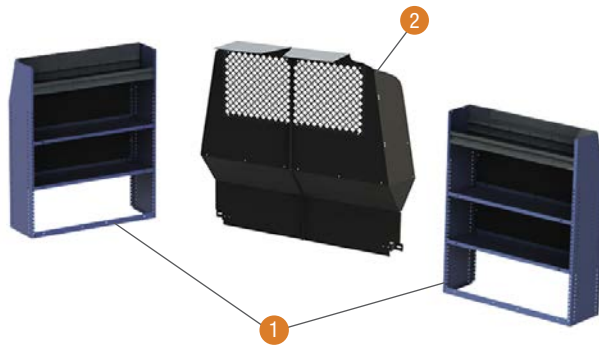
Customize any shelving package with the addition of drawers, doors and dividers. Select a few, buy them all, or design a unique interior to suit your needs. Perfect for contractors in all industries!



HIGH ROOF SMARTSPACE OPTIONS					
Item #	Part #	Description	Item #	Part #	Description
1	OSS105KP	Cubby Module 66"H x 14"W x 12"D	8	OSS114KP	Locking Storage Door (37"W x 12"H)
2	OSS106KP	Large Drawer (w/Dividers) 12"W x 6"H x12"D	9	OSS115KP	Steel 30# Freon Tank Shelf Kit
3	OSS107KP	Small Drawer (w/Dividers) 12"W x 3"H x12"D	10	OSS116KP	Blue Manual Rack
4	OSS108KP	Composite Bin (w/Dividers)	11	OSS117KP	Blue Wire Spool Rack
5	OSS109KP	Shelf Dividers 12"D (set of 4)	12	OSS118KP	Blue Storage Bucket
6	OSS110KP	Shelf Dividers 16"D (set of 4)	13	OSS119KP	Blue Triple Utility Hook
7	OSS113KP	Shelf Kit (12"W x 12"D)			

Metris Heavy Duty Steel Packages

MASTERACK®'s strong and durable steel interiors are designed to handle the toughest applications. These high quality, heavy duty interiors have been the number one choice for many commercial fleets for more than 45 years. Cost effective and reliable, a MASTERACK® steel package will help keep fleets organized on the road for years to come.

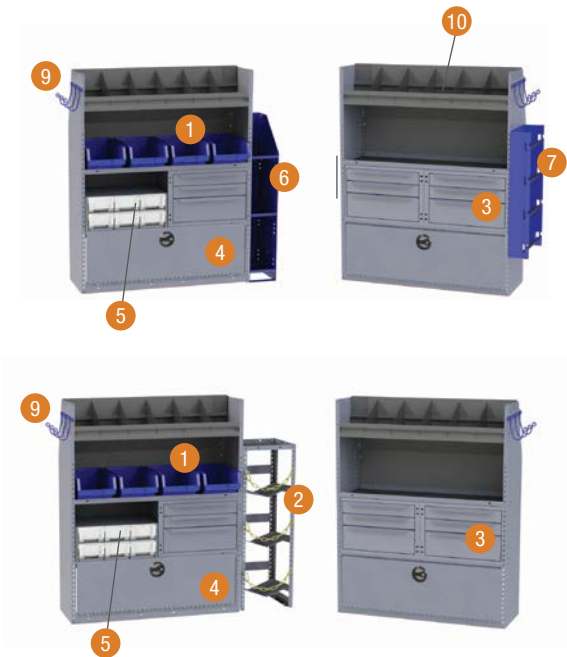


COMPACT STEEL BASE PACKAGE			
Item #	Part #	Description	Qty.
1	02J640KP	Steel Shelving Module 44"H x 37"W x 12"D	2
2	02K870KP	Steel Partition	1
3	02M102KP	Install Kit	1

Trade Options

Customize any shelving package with the addition of drawers, doors and dividers. Select a few, buy them all, or design a unique interior to suit your needs. Perfect for contractors in all industries!

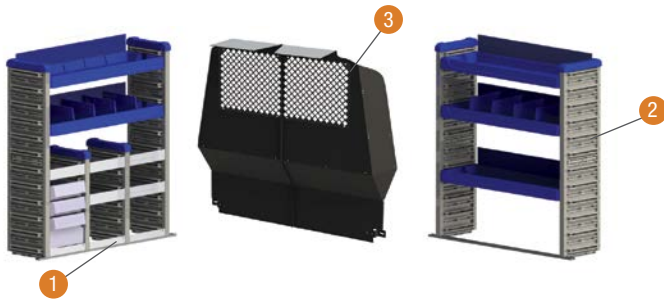
COMPACT STEEL OPTIONS		
Item #	Part #	Description
1	021471KP	Composite Storage Bins (set of 4)
2	025545KP	Triple 30# Freon Tank Holder
3	027259KP	3-Drawer Cabinet 12"D
4	027497KP	Locking Storage Door 37"W
5	02D641KP	6-Drawer Cabinet 12"D
6	OSS116KP	Blue Manual Rack
7	OSS117KP	Blue Wire Spool Rack
8	OSS118KP	Blue Storage Bucket (not pictured)
9	OSS119KP	Blue Triple Utility Hook
10	02B893KP	Tool Drop Tray Dividers (set of 5)





Metris Configurable SmartSpace® Packages

Quiet and customizable. The industry's only all composite and aluminum van interior can be easily adjusted in minutes without tools! SmartSpace shelves are made of rugged components engineered to last in the toughest work environments. Sound-absorbing shelves, uprights, and secured drawers deter tools and equipment from rattling while vehicle is in motion. Light color panels enhance visibility inside the cargo area. MASTERACK® offers a variety of shelves, drawers, and accessories that slide into upright panels for infinite storage possibilities.



COMPACT SMARTSPACE BASE PACKAGE			
Item #	Part #	Description	Qty.
1	OSS154KP	Streetside 44"H x 37"W x 12"D	1
2	OSS155KP	Curbside 44"H x 37"W x 12"D	1
3	O2K870KP	Steel Partition	1
4	O2M100KP	Install Kit	1

Trade Options

Customize any shelving package with the addition of drawers, doors and dividers. Select a few, buy them all, or design a unique interior to suit your needs. Perfect for contractors in all industries!

COMPACT SMARTSPACE OPTIONS		
Item #	Part #	Description
1	OSS104KP	Cubby Module 44"H x 14"W x 12"D
2	OSS106KP	Large Drawer (w/Dividers) 12"W x 6"H x 12"D
3	OSS107KP	Small Drawer (w/Dividers) 12"W x 3"H x 12"D
4	OSS108KP	Composite Bin (w/Dividers)
5	OSS109KP	Shelf Dividers 12"D (set of 4)
6	OSS114KP	Locking Storage Door (37"W x 12"H)
7	OSS115KP	Steel 30# Freon Tank Shelf Kit
8	OSS117KP	Blue Wire Spool Rack
9	OSS119KP	Blue Triple Utility Hook



Ladder & Utility Racks

LOCKING LADDER RACKS

MASTERACK® patented, easy-to-use clamping action secures ladders in place. Ladders are easily loaded and unloaded from the side of the van for safe, efficient operation. These no-drill ladder racks secure to existing mounting points in the vehicle roof, reducing install time and improving resale value. Locking feature protects cargo while on the move or at the end of the day.

METRIS LOCKING LADDER RACKS	
Description	Part #
Single Rack	02M104KP
Streetside Upgrade	021226KP



02M104KP

02M104KP + 021226KP

UTILITY CARRIER

This economic but rugged choice can hold a variety of items including ladders.

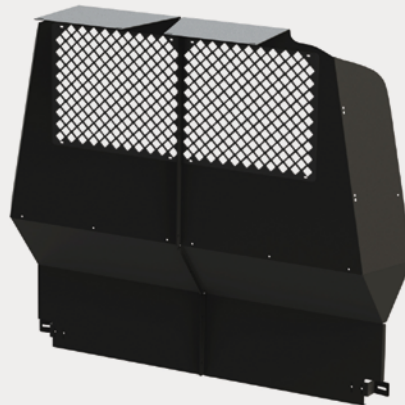


02M103KP

Partitions

Steel partitions offer maximum cargo security and protection. MASTERACK®'s signature diamond perforations and non-glare black powder coat finish provide increased visibility.

METRIS PARTITION ORDERING GUIDE		
Part #	Description	Attachment Panels
02K870KP	Steel	N/A



Distributed By:



MASTERACK®

For more information or
to find an authorized
MASTERACK® installer
in your area, visit
WWW.MASTERACK.COM.

MASTERACK® and SmartSpace® are registered trademarks. Products and specifications subject to change without notice.

©2020 MASTERACK®

