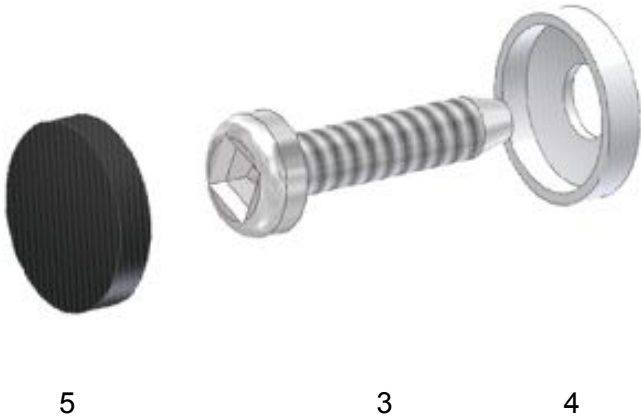




MI-LIN302 TRANSIT CONNECT 2014 INSTALLATION GUIDE

#	QTY	DESCRIPTION
1	1	DRIVER SIDE PANEL
2	1	PASSENGER SIDE PANEL
3	10	3/4" SELF-TAPPING SCREWS
4	10	WASHERS FOR SELF-TAPPING SCREWS
5	10	COVERS FOR SELF-TAPPING SCREWS



1



BEFORE BEGINNING, MAKE SURE THAT YOU HAVE ALL OF THE REQUIRED INSTALLATION HARDWARE AND EQUIPMENT NEEDED.

2



CAREFULLY REMOVE FOAM FROM ABOVE DRIVER SIDE AND PASSENGER SIDE SLIDING DOORS. MAKE SURE TO SAVE CLIPS IF YOU INTEND TO RE-ATTACH.

3



IF THE VEHICLE COMES WITH A REAR ELECTRICAL OUTLET(S), DISCONNECT FIRST.

PULL BACK AND REMOVE THE FACTORY PLASTIC WALL COVERS. THEY ARE SNAPPED INTO PLACE.

4



USING A CLAW HAMMER, POP OUT THE PLUG HOLDING THE WIRING HARNESS IN PLACE. AS BEST AS POSSIBLE, TUCK THE WIRING HARNESS INTO THE WALL CAVITY.

5



CAREFULLY SLIDE THE WALL PANEL THROUGH THE REAR DOORS AND PUT INTO PLACE. YOU DO NOT NEED TO REMOVE THE RUBBER DOOR TRIM.

6



SLIDE THE RUBBER GASKET OVER THE LINER WHERE IT MEETS THE REAR AND SIDE SLIDING DOOR. YOU MAY NEED TO USE A FLAT-EDGED TOOL TO PULL THE RUBBER OVER.

7



ATTACH THE WALL BY DRILLING SELF-TAPPING SCREWS THROUGH THE PLASTIC WASHERS INTO THE 5 PRE-DRILLED HOLES IN THE WALL PANEL. THERE ARE THREE AT THE BACK AND TWO AT THE FRONT.

8

**REPEAT
STEPS
5, 6 AND 7**

REPEAT STEP 5, 6 AND 7 FOR OTHER WALL PANEL.

9



FINISH INSTALLING THE WALL PANELS BY ATTACHING SNAP CAP COVERS OVER THE SCREW HEADS AND WASHERS.

(OPTIONAL) 10



STORE A WINDSHIELD WASHER FLUID BOTTLE WITH THE STRAPS LOCATED ON THE PASSENGER PANEL.

(OPTIONAL) 11



RE-ATTACH THE FOAM ABOVE THE SLIDING DOORS BY SNAPPING BACK INTO THE ORIGINAL HOLES. YOU WILL NEED TO DRILL A HOLE THROUGH THE LINER TO RE-ATTACH THE LAST CLIP.

(Spare Tire)



THE SPARE TIRE CAN BE ACCESSED BY PULLING BACK THE VELCRO HATCH COVER ON THE DRIVER SIDE OF THE VAN.