

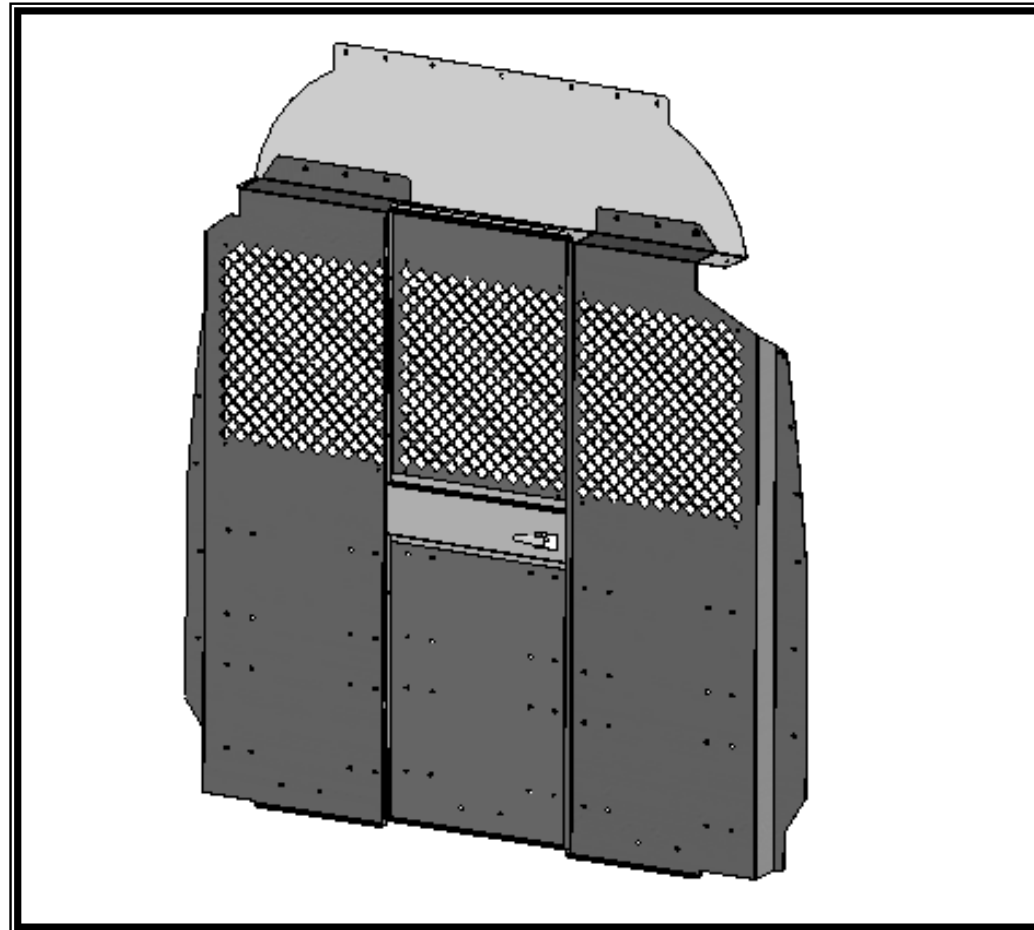
# Installation Instructions for the Standard Partition - 2007 Sprinter –



2400 Mellon Court, Decatur, GA 30035

Phone: 1-800-222-8785

[www.masterack.com](http://www.masterack.com)

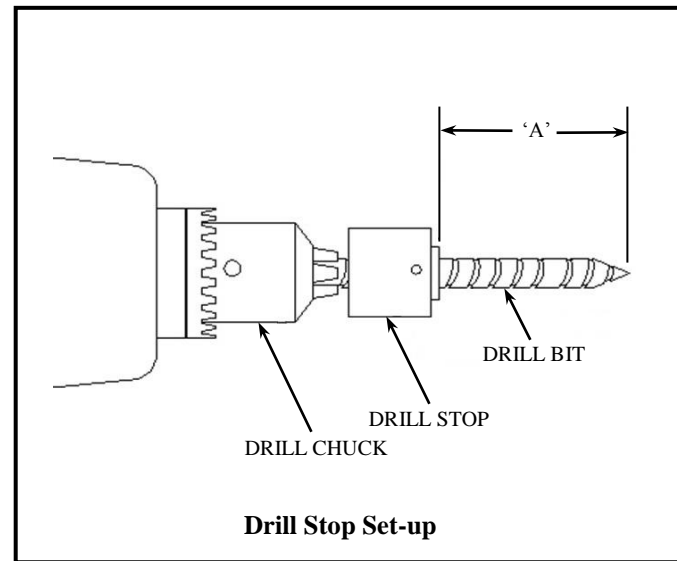


**!! IMPORTANT PLEASE READ BEFORE PROCEEDING: !!**  
FAILURE TO ASSEMBLE AND INSTALL THE PARTITION PER THE INSTRUCTIONS WILL VOID ALL EXPRESSED OR IMPLIED WARRANTIES.

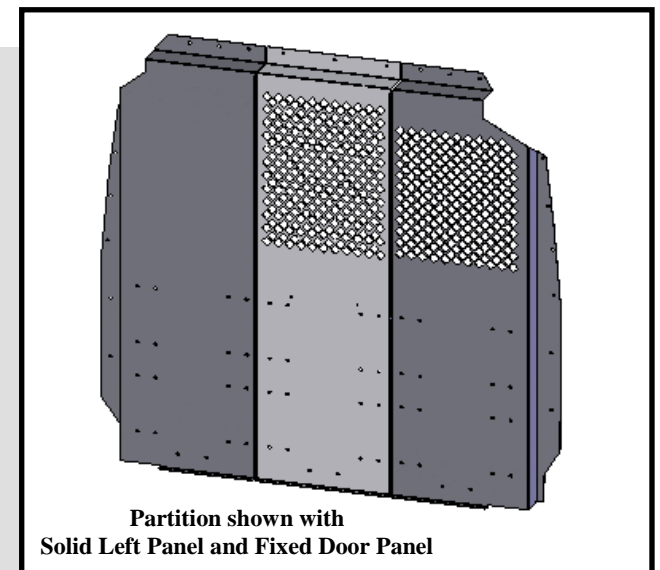
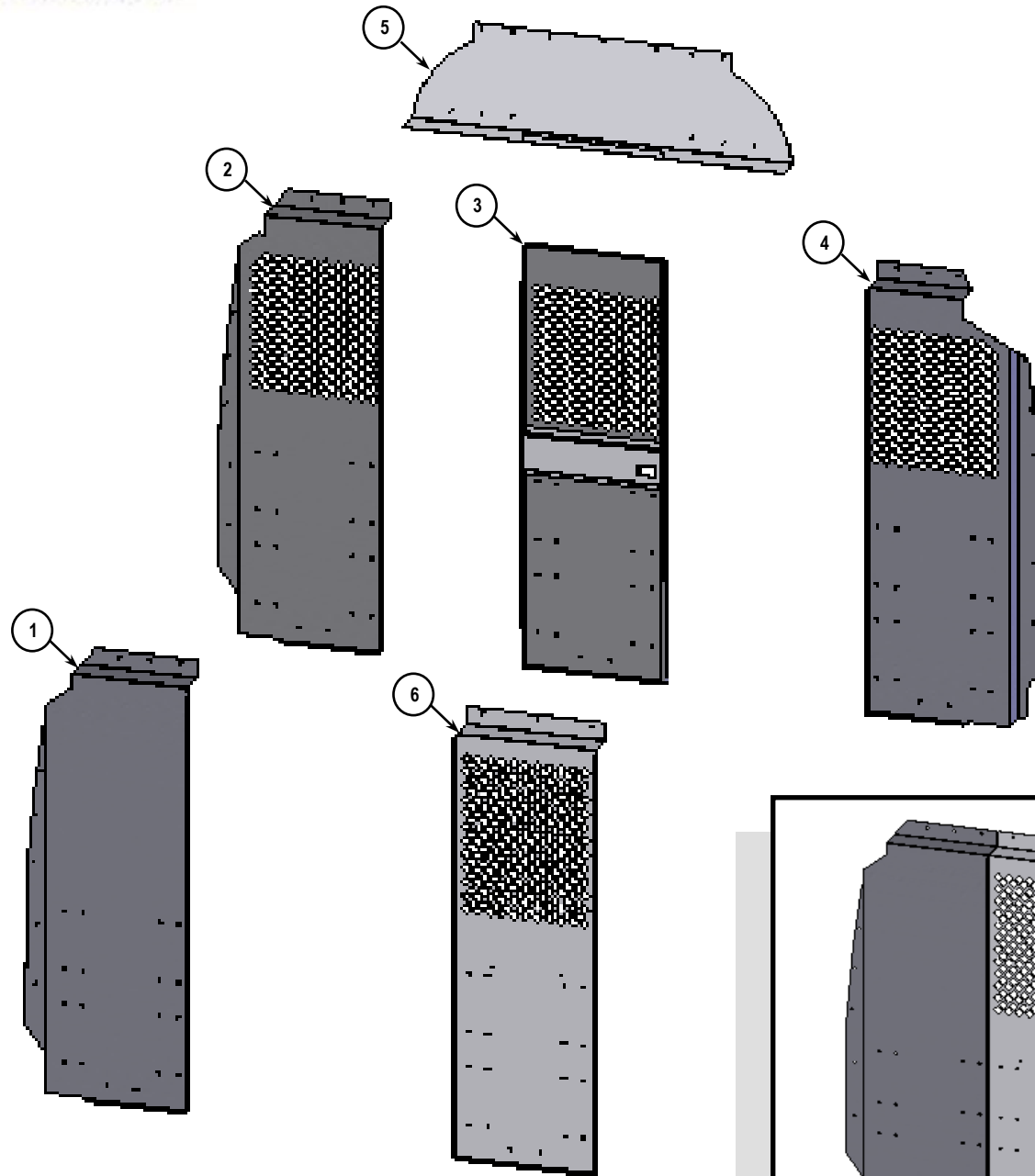
**Review this document to ensure that all parts and hardware are included in the package, before installation.**  
In the event that parts are missing please contact Masterack @ 1-800-222-8785, to re-order missing parts.

**RECOMMENDED TOOLS and MATERIALS**

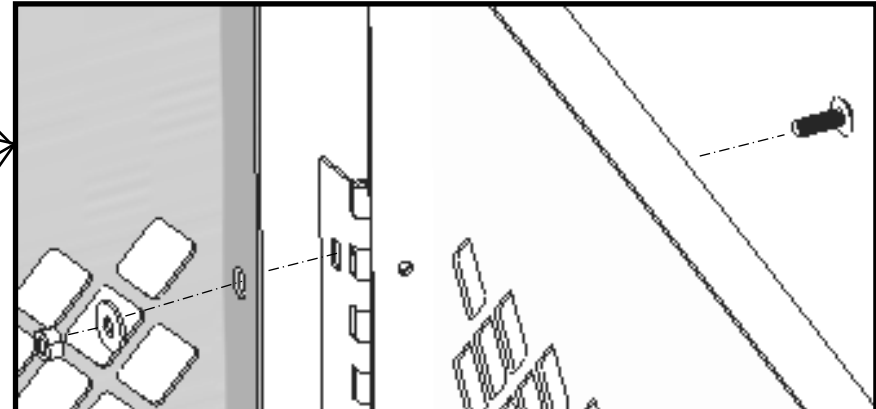
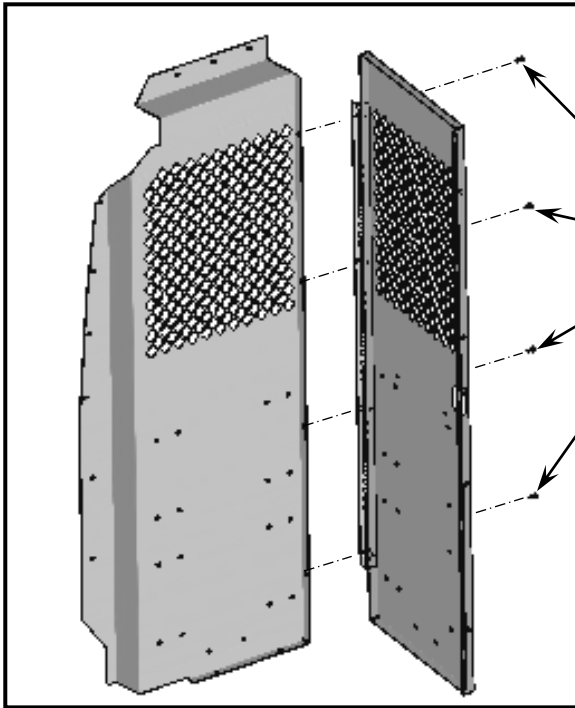
Wire Crimper, Wire Stripper, Wire Cutter  
Ratchet Wrench  
Sockets (7/16", 1/2" and 9/16")  
Box End Wrenches (7/16", 1/2" and 9/16")  
Allen Wrenches (5/32")  
Pliers  
Channellock™ style pliers  
Pop Rivet Setting Tool  
Phillip Head Screwdriver  
Drill w/ 1/2", 17/64" and 3/8" Drill Bits  
Drill stop  
Carpenter's Square  
Straight Edge  
Hammer  
Center Punch  
Tape Measure  
Small File  
Marking Pencil  
1-1/8" Dia. Hole Saw  
White Silicone Sealant  
White Touch-Up Paint  
Metal Primer Paint  
Electrical Tape and Wire Ties.  
Safety Glasses



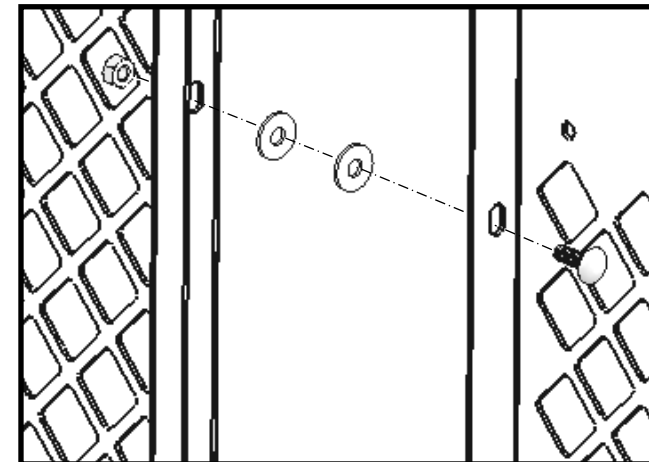
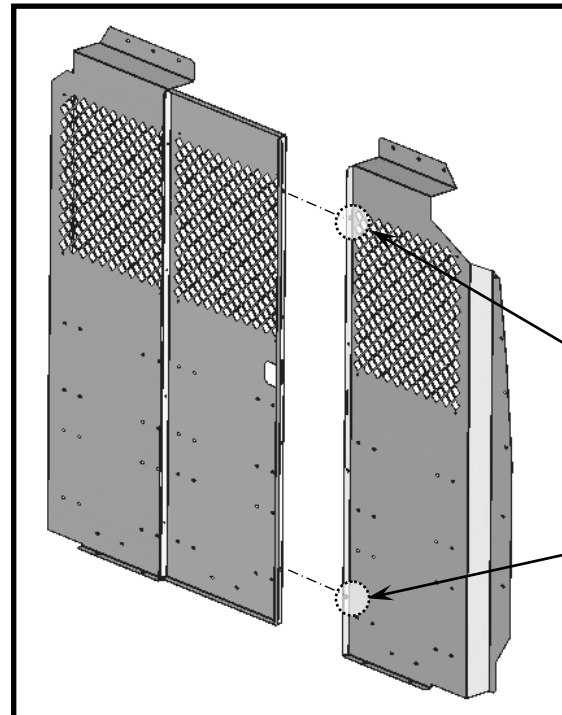
**TIGHTEN ALL 1/4-20 SCREWS TO 11 ft/lbs AND ALL 5/16-18 SCREWS TO 22 ft/lbs**



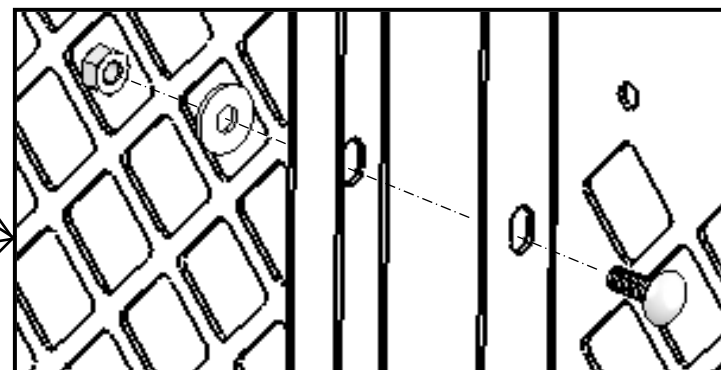
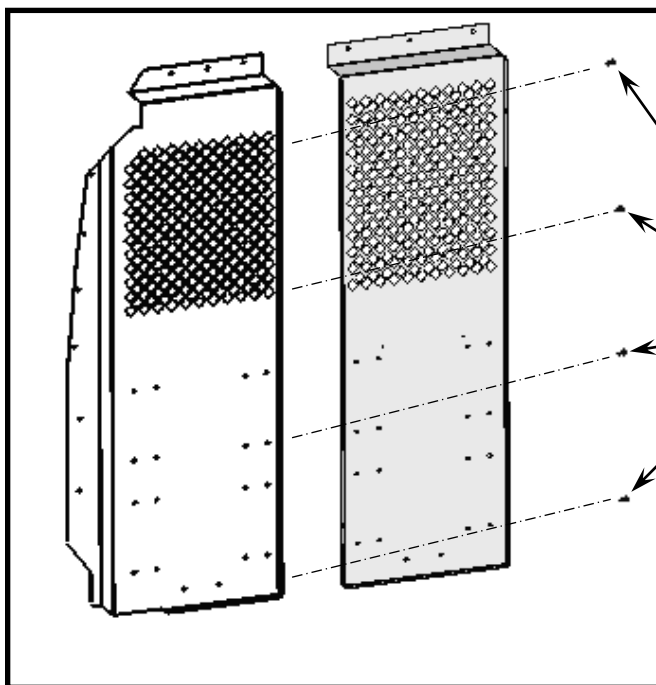
<b>PARTITION BILL OF COMPONENTS</b>			
<b>ITEM</b>	<b>PART #</b>	<b>QTY.</b>	<b>DESCRIPTION</b>
1	02A356	1	SOLID LEFT PANEL (If applicable)
2	02A357	1	PREFORATED LEFT PANEL
3	02A360	1	CENTER DOOR PANEL
4	02A358	1	RIGHT PANEL
5	02A370	1	TOP PANEL
6	02A359	1	FIXED DOOR PANEL (If applicable)
7	<b>02A489</b>	<b>1</b>	<b>HARDWARE BAG (NOT SHOWN)</b>
	132575	1	PLUSNUT-PREBULB 5/16-18 GRADE 2
	132576	1	PLUSNUT TOOL 5/16 #C500-31
	M978610CG	3	SPINTER MNTNG WSHR 3"x3" PNTD
	RM510107	8	1/4-20 x 3/4 ZINC CARRIAGE BOLT
	RM510128	3	5/16-18 x 1-1/4 HEXCAP GR8 SCREW
	RM510454	1	5/16-18 x 2 HEX HD CAP SCREW
	RM510664	6	1/4-20 x 1/2 PH PAN HEAD SCREW
	RM511429	1	1/4-20 x 2-1/2 HXHD G8 FT
	RM511471	12	1/4-20 x 1-1/4 HEX WHD
	RM520107	12	MONO BOLT DOMED HEAD 1/4 STL
	RM520111	12	PLUS NUT #SRT25PB280 PRE-BULB
	RM520112	1	PLUS NUT TOOL #C500-25
	RM520312	15	1/4-20 E-STOP NUT
	RM520335	3	5/16-18 PREVAILING TORQUE NUT
	RM540225	7	RIVET BLIND SD64BSLF ALL STEEL
	RM541039	12	1/4 GALV SPLIT LOCK WASHER
	RM541061	27	1/4 USS FLAT ZINC WASHER
	RM541067	3	3/8 x 13/32 ID x 13/16 WASHER
	RM541071	1	5/16 SPLIT LOCK WASHER
	RM541081	4	5/16 USS FLAT ZINC WASHER
	RM560143-1	2	COLLAR 1 OD x .375THK x .375ID
	RM580030	1	PLASTIC LATCH COVER PLATE 2004
	RM580314	1	HANDLE #H-17003C INSIDE CHROME
	RM580360	1	HANDLE RND FLSH MNT PRTN DOOR

**FOR PARTITIONS WITH HINGED CENTER DOOR PANEL**

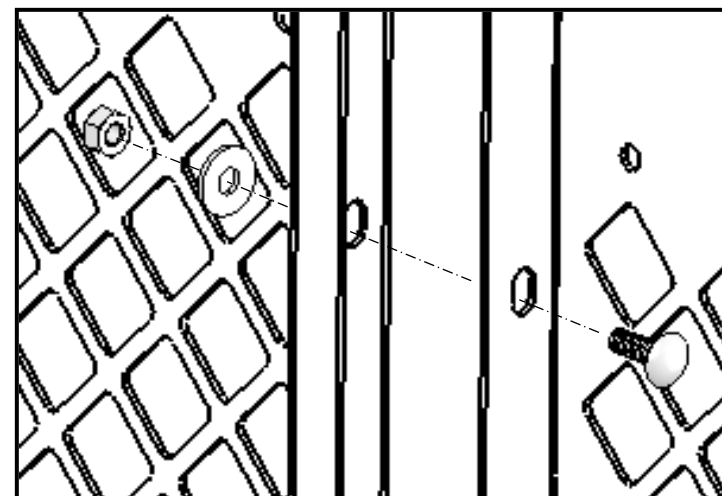
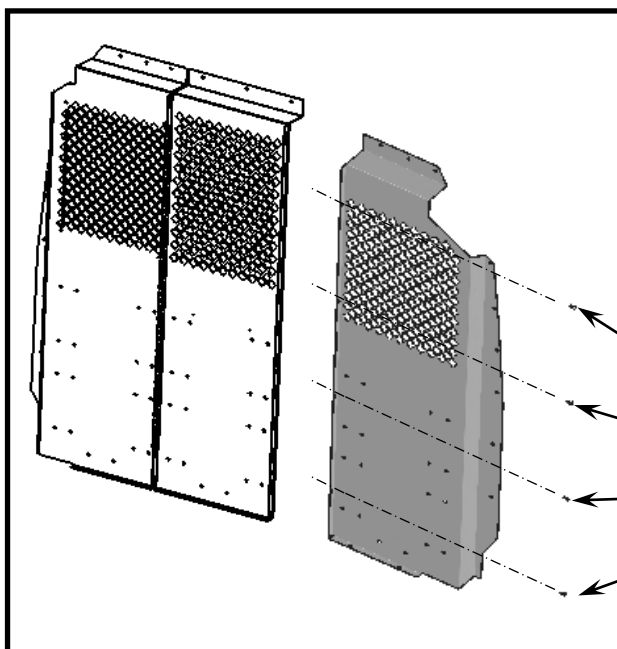
Attach Door Panel [3] to Left Panel [2] using (4) 1/4-20 x 3/4 Carriage Bolts, (4) 1/4 Flat Washers and (4) Prevailing Torque Nuts.



During preassembly attach the Right Panel [3] temporarily with (2) 1/4-20 x 3/4 Carriage Bolts (4) 1/4 Flat Washers and (2) Prevailing Torque Nuts.  
**NOTE: REMOVE AFTER INSTALLATION**

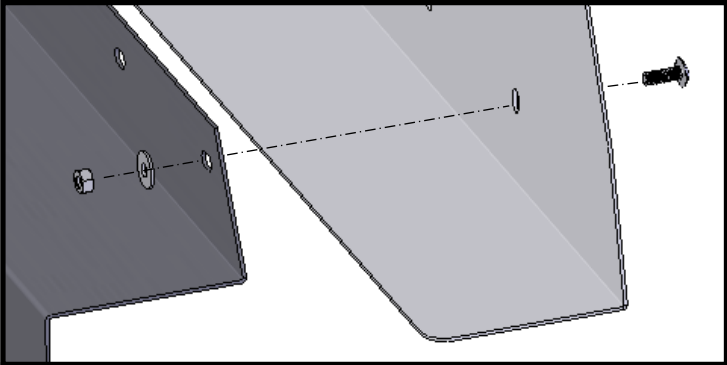
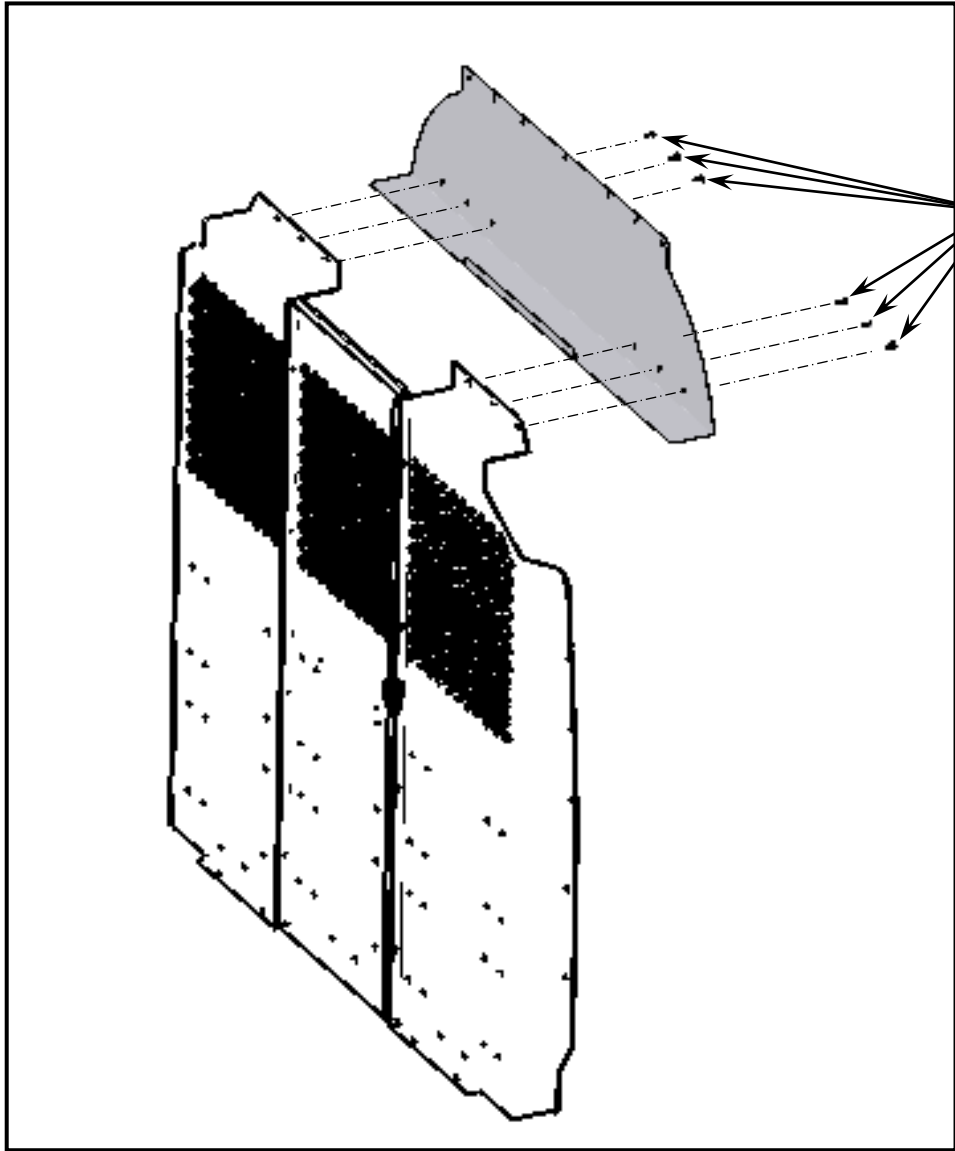
**FOR PARTITIONS WITH FIXED DOOR PANEL**

Attach Door Panel [6] to Left Panel [2] using (4) 1/4-20 x 3/4 Carriage Bolts, (4) 1/4 Flat Washers and (4) Prevailing Torque Nuts.

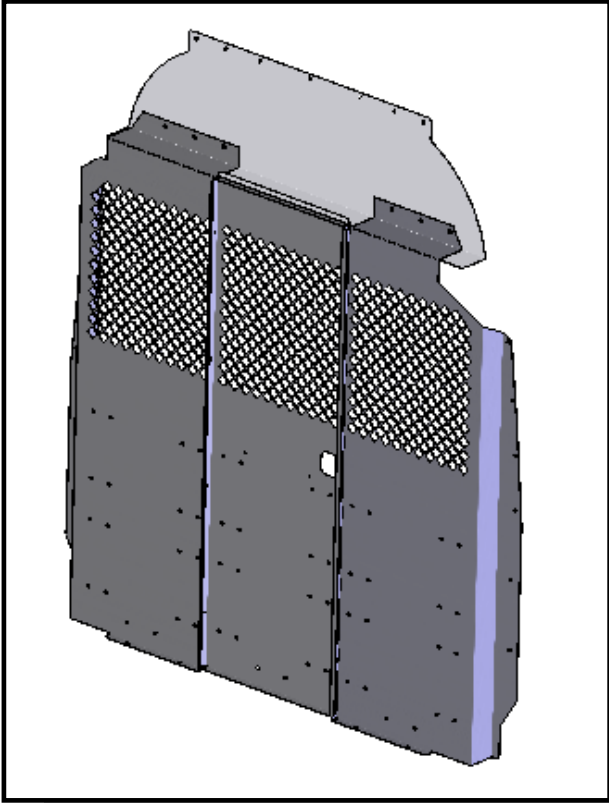


Attach the Right Panel [4] with (4) 1/4-20 x 3/4 Carriage Bolts (4) 1/4 Flat Washers and (4) Prevailing Torque Nuts.

FOR HIGH ROOF APPLICATIONS ONLY

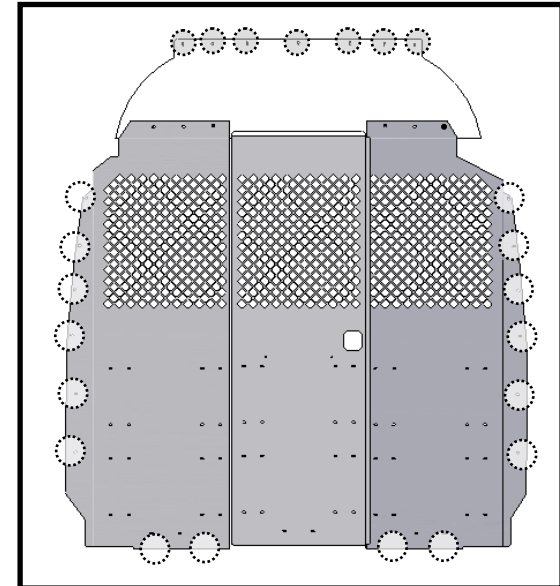
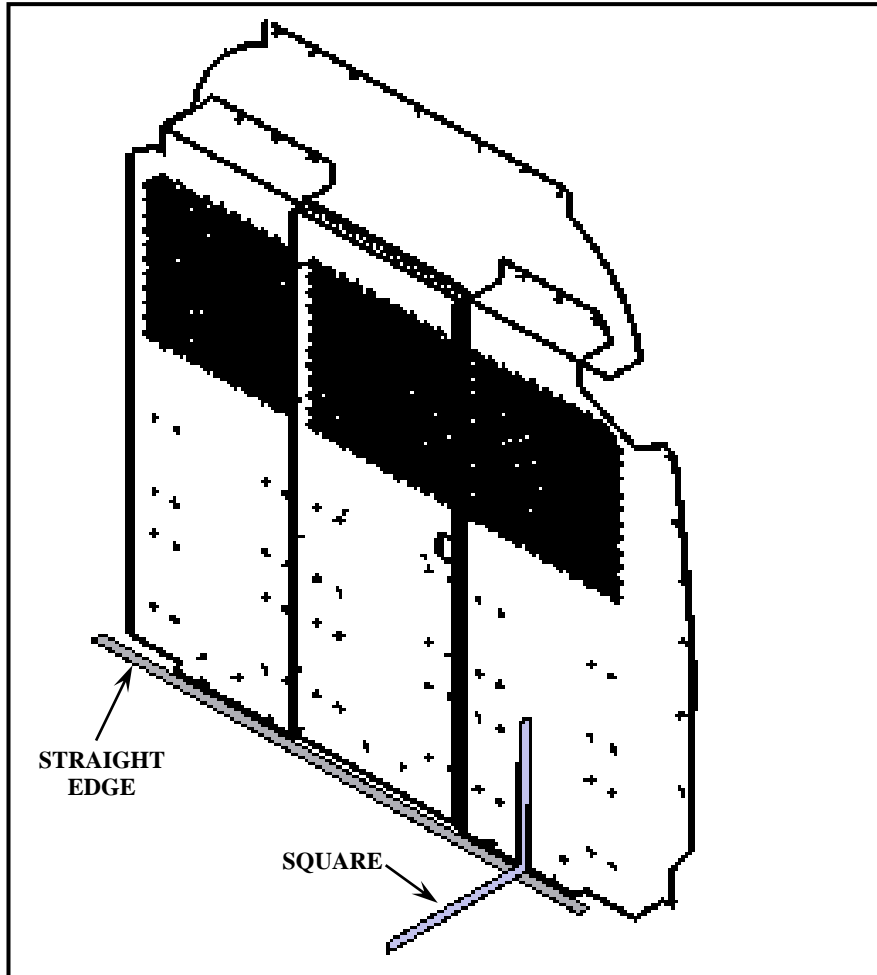


Attach Top Panel [5] using (6) 1/4-20 x 3/4 Carriage Bolts,  
(6) 1/4 Flat Washers and (6) Prevailing Torque Nuts.





**ALWAYS CHECK BEFORE DRILLING ANY HOLES TO MAKE SURE NO WIRING OR FUEL LINES WILL BE DAMAGED. SERIOUS INJURY CAN RESULT**



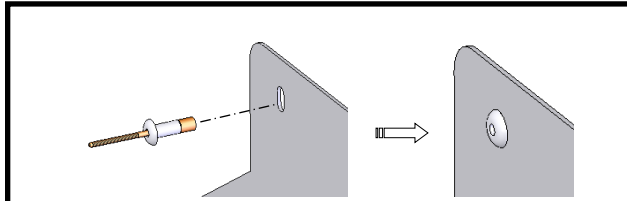
**SLOT LOCATIONS**

Properly align partition using a straight edge and square. Mark through the slots in the bottom flange onto the floor, and Left and Right Panels [2, 4] onto B-Pillars.

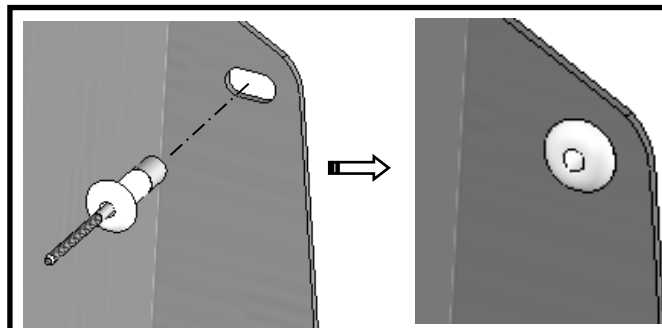
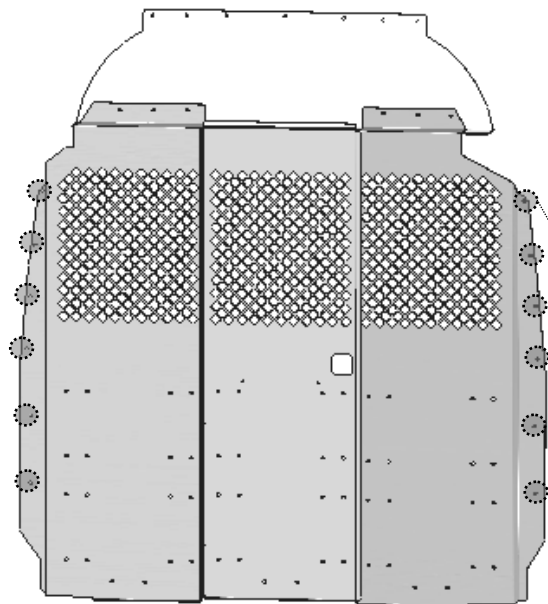
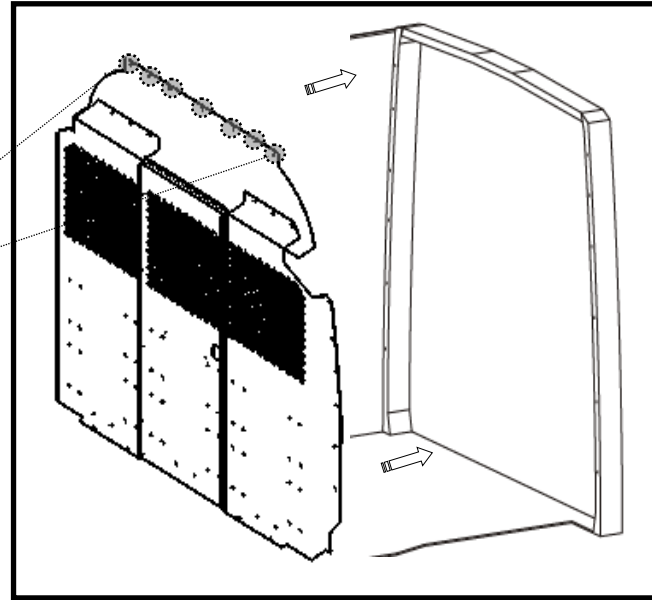




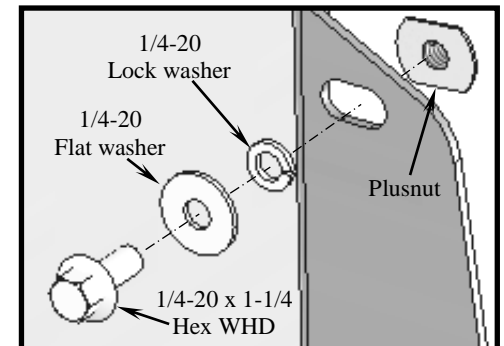
**ALWAYS CHECK BEFORE DRILLING ANY HOLES TO MAKE SURE NO WIRING OR FUEL LINES WILL BE DAMAGED. SERIOUS INJURY CAN RESULT**



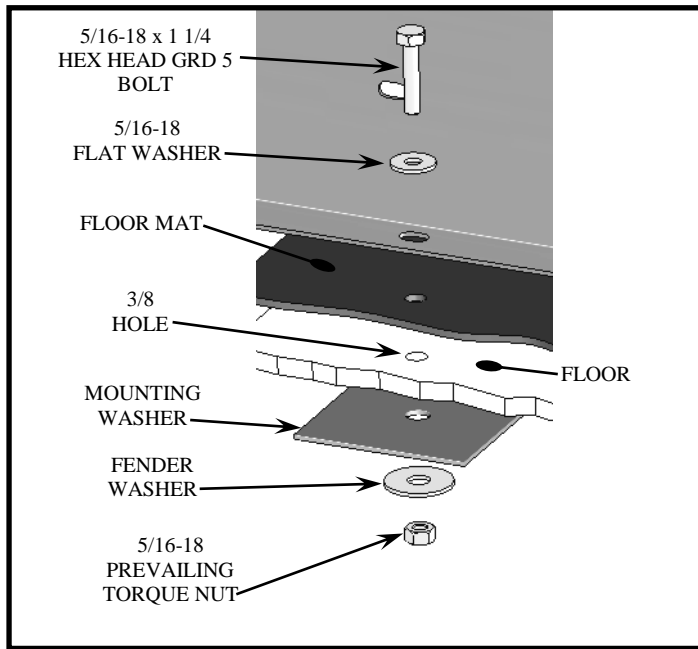
With partition properly aligned and positioned, drill (7) 17/64 holes, and secure with (7) 1/4 Mono Bolts



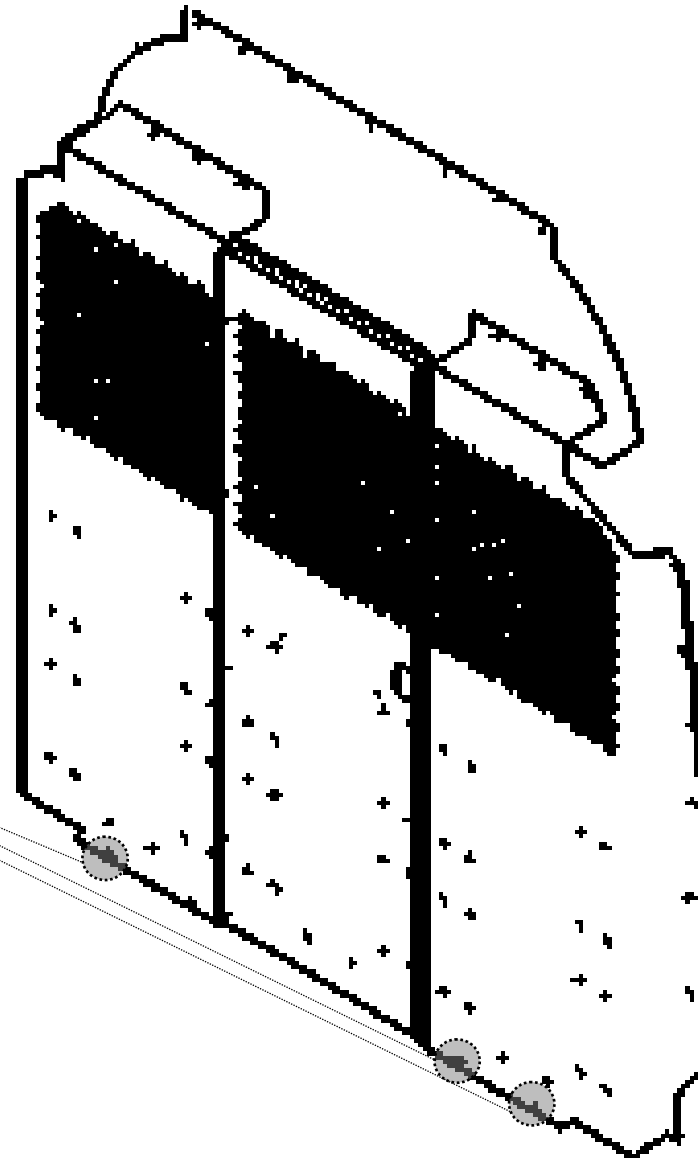
With partition properly aligned and positioned, using a 17/64 drill bit, drill out existing hole in B-pillar and secure with (12) 1/4 Monobolts

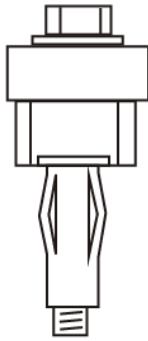


**NOTE:** 1/4-20 Plusnuts and 1/4-20 Screws have been included as an alternative installation option.

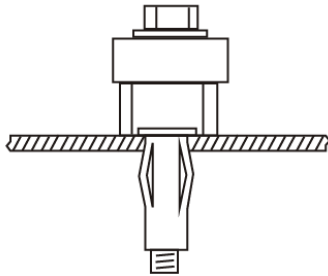


Attach Left and Right Panels [2, 4] to floor as shown here.





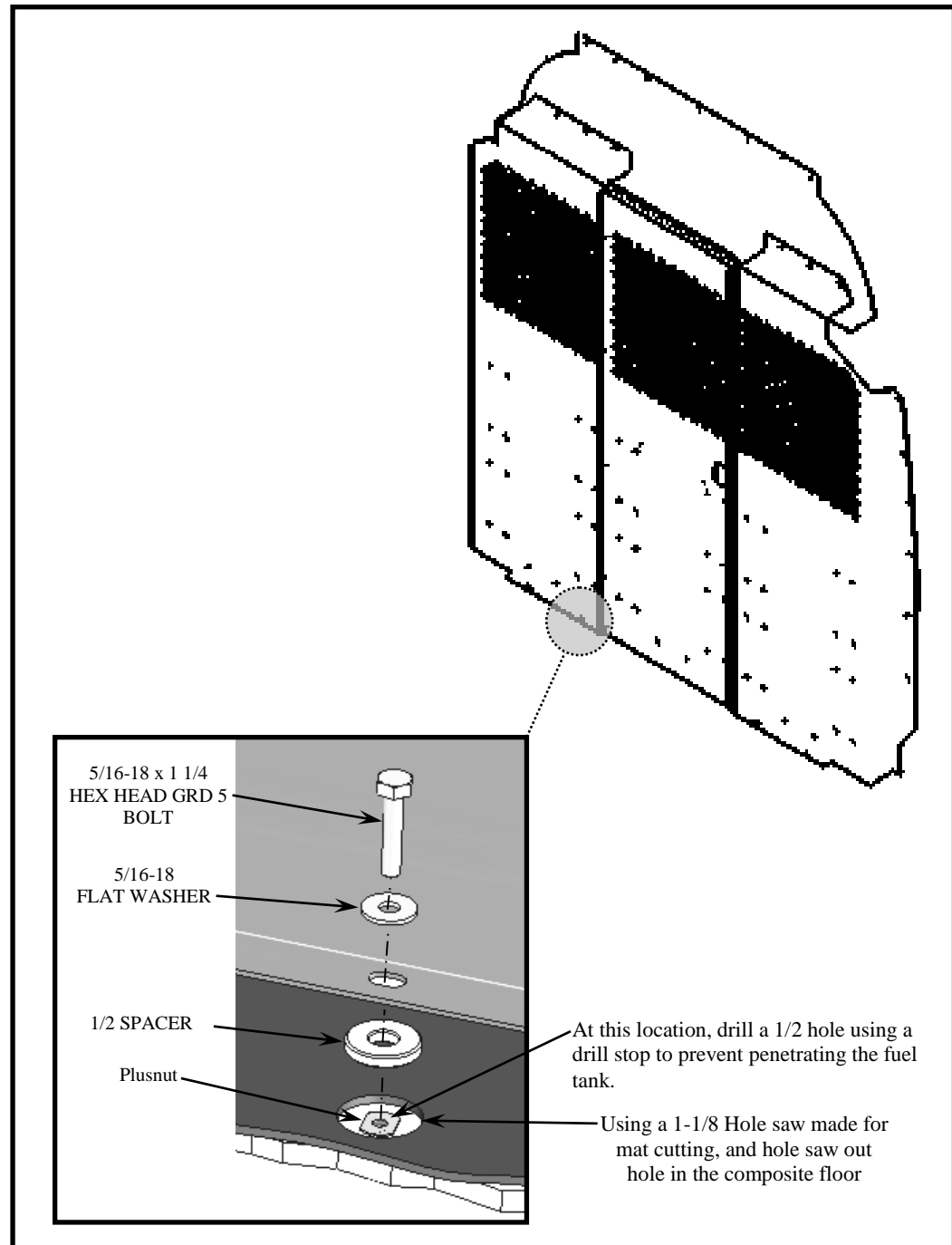
Assemble 1/4 Plusnut, using  
 1/4 x 1-1/4 Hex Head Grd 5 screw  
 and (1) 1/4 Flat washer

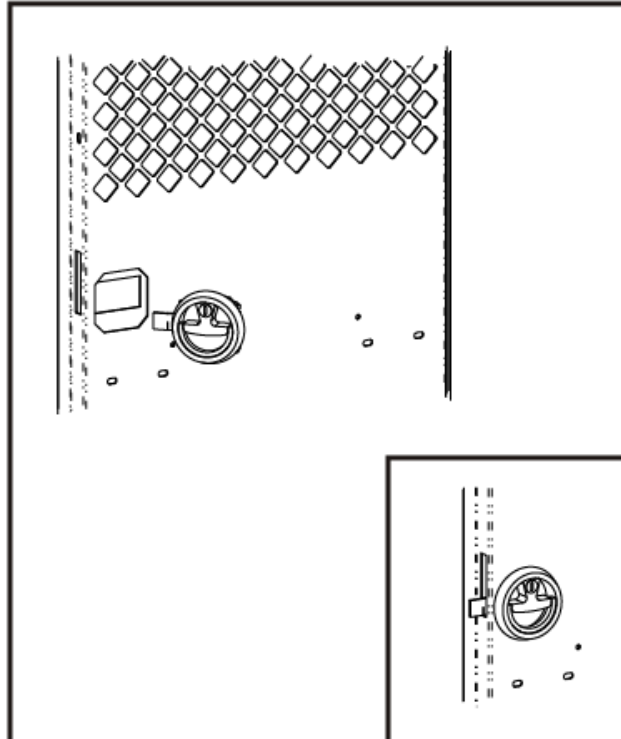


Insert Plusnut assembly into hole, holding the Plusnut  
 Tool with a wrench, tighten screw with a wrench or a  
 ratchet until screw is tight. While still holding the Plusnut  
 Tool securely, remove the screw.

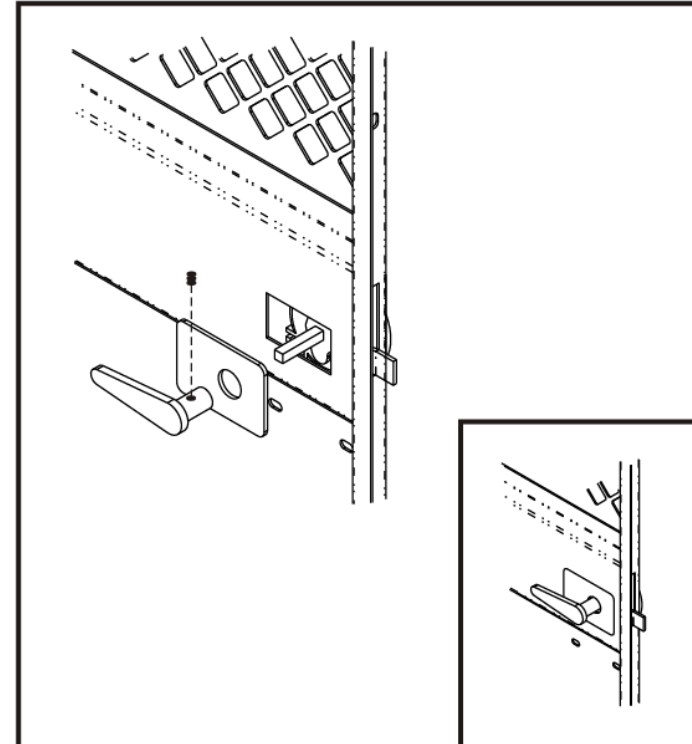


**Fully Set Plusnut**



**FOR PARTITIONS WITH HINGED CENTER DOOR PANEL**


**Make sure the handle is in the Locked position** and insert it, cam first into the octagonal hole in the front of the door as shown. Slide the cam through the slot in the side of the door and snap handle into place. The cam will rotate up to disengage, otherwise the handle has been assembled in the open position and will need to be removed and locked to repeat this step.



**Remove backing from tape on the latch cover plate and assemble as shown. Place latch handle over square shaft and secure with the set screw provided.**

# Masterack® Limited Warranty



Masterack® commercial van and pick up equipment is warranted to be free from defects in material and workmanship, under normal use and service for a period of one (1) year from date of purchase. Factory installations, and products installed in new vehicles by an authorized Masterack® installer are warranted for three (3) years or 36,000 miles (60,000KM), whichever comes first. **This warranty covers only repairs, or at Masterack’s discretion, replacement to correct any defects related to materials and workmanship.**

#### **This warranty does not apply to:**

- Additions, alterations, or installations made by persons including dealers, other than Masterack® and it’s authorized distributors, made in accordance with Masterack® specifications and / or instructions, nor to defects arising out of attribute to such additions, alterations or installations.
- Defects attributable to abuse or misuse of the product, misapplication, negligent accident, modification or tampering.
- Damage resulting from failure to promptly notify and comply with the instructions of the dealer or manufacturer about defects when noted.
- Any incidental or consequential damages connected with a defect, either while under warranty or afterward, including the cost of a rental truck and/or loss or revenue.

**THIS WARRANTY IS THE ONLY WARRANTY APPLICABLE TO A MASTERACK PRODUCT PURCHASE. ALL OTHER WARRANTIES, EXPRESSED OR IMPLIED, INCLUDING BUT NOT LIMITED TO, THE IMPLIED WARRANTIES OR MERCHANTABILITY AND FITNESS FOR A PARTICULAR PURPOSE ARE DISCLAIMED. MASTERACK® AND ITS SUBSIDIARIES, SHALL NOT BE LIABLE FOR ANY INCIDENTAL OR CONSEQUENTIAL DAMAGES ARISING OUT OF ANY BREACH OF THIS WARRANTY, NOR SHALL THE DAMAGES EXCEED THE RETURN AMOUNT OF THE PURCHASE PRICE PAID BY THE ORIGINAL PURCHASER.**

Warranty claims must be submitted to the either your sales representative or a customer service representative at 816-455-0218. The vehicle must be delivered to the original Masterack® authorized installer of the product or, if not practical, to a Masterack® authorized dealer for inspection and any warranty service. Any warranty service to be performed by a source other than a Masterack® location or an approved Masterack® distributor must be authorized in advance of the repairs by the Masterack® Warranty Administrator and a purchase order issued by Masterack® in advance or repairs for the authorized repairs.