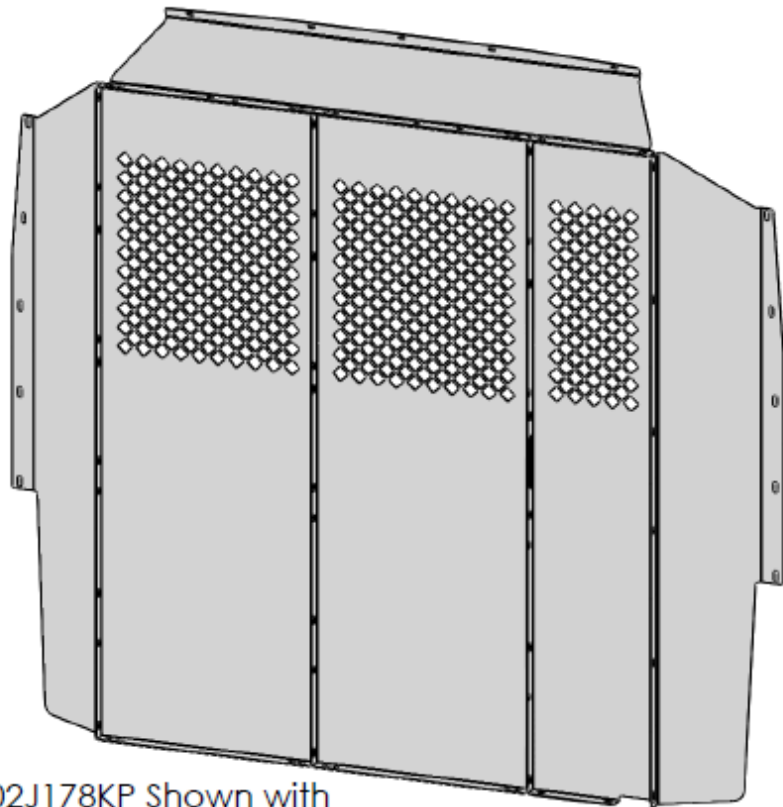
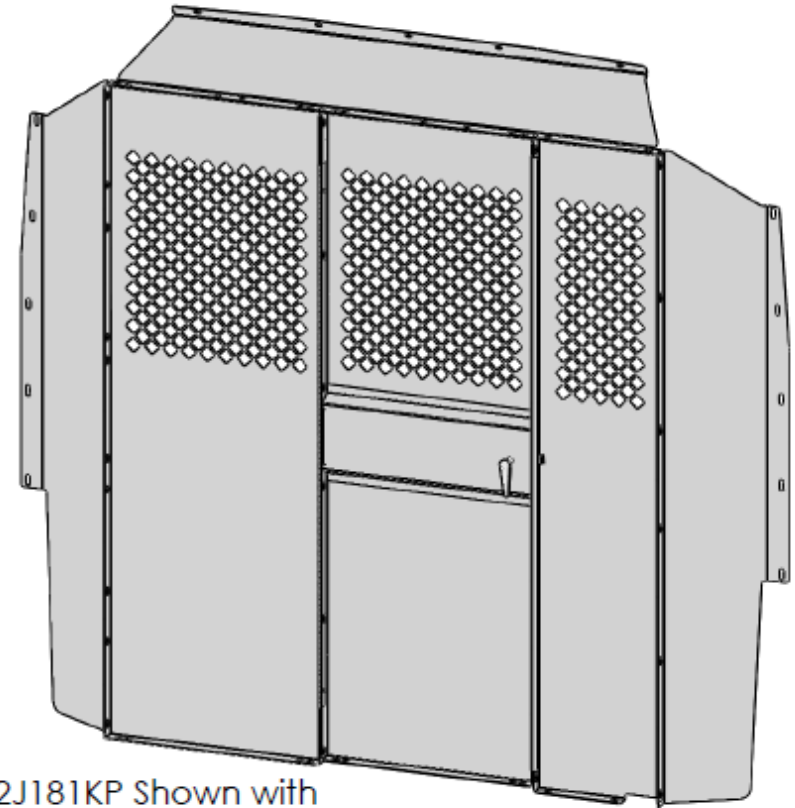


**Recommended Tools:**

- Air Wrench or Socket Ratchet
  - 7/16" Socket
  - 10mm Socket (only required to replace OEM partition)
- 7/16" Box End / Open End Wrench
- Torque Wrench
- Electric Drill
  - 3/8" Drill Bit (drill stop recommended)



02J178KP Shown with  
02G731KP Attachment Panels



02J181KP Shown with  
02G731KP Attachment Panels

Attention: If replacing an OEM partition or if there are threaded HEX Mounting Nuts already installed in the B-pillar and Roof Bow, please skip pages 5 & 6 of this installation guide

Your partition panel configuration (solid / perforated) may vary based on order number. Consult your salesperson for details.

**Review this document to ensure that all parts and hardware are included in the package, before installation.**  
In the event that parts are missing please contact Masterack @ 1-800-222-8785, to re-order missing parts.

# Promaster Partition Installation

| Item # | Part # (Individual) | Description                              |
|--------|---------------------|--|
| 1      | 02H220              | PROMASTER PARTITION TOP ATTACHMENT PANEL |
| 2      | 02H221              | PROMASTER PARTITION CS ATTACHMENT PANEL  |
| 3      | 02H222              | PROMASTER PARTITION SS ATTACHMENT PANEL  |
| 4      | 02J158              | HIGH/MID ROOF SLD PNL TYPE 2             |
| 5      | 02J159              | HIGH/MID ROOF PRF PNL TYPE 2             |
| 6      | 02J160              | HIGH/MID ROOF SLD CS TYPE 2              |
| 7      | 02J161              | HIGH/MID ROOF PRF CS TYPE 2              |
| 8      | 02J162              | HIGH/MID ROOF SLD HGD TYPE 2             |
| 9      | 02J163              | HIGH/MID ROOF PRF HGD TYPE 2             |

**NOT-HINGED**

02J176KP = #4 + #4 + #6

02J177KP = #4 + #5 + #7

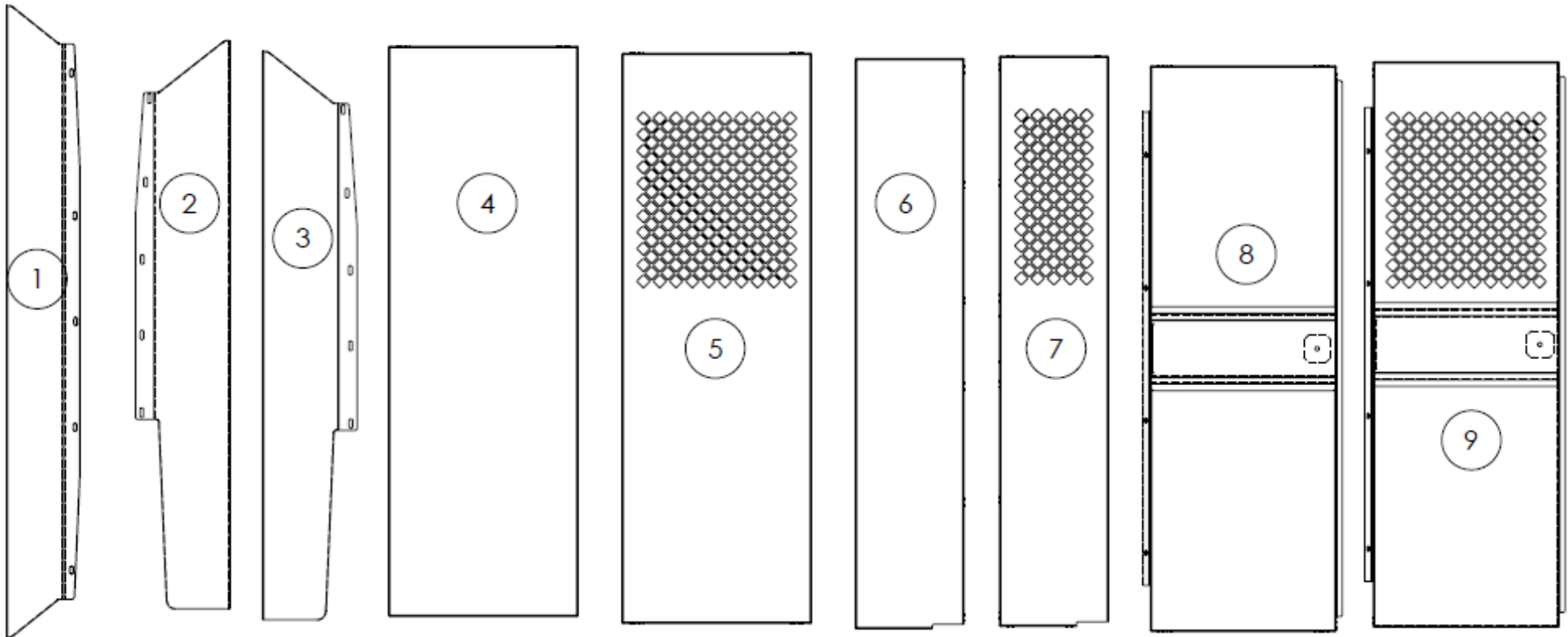
02J178KP = #5 + #5 + #7

**HINGED**

02J179KP = #4 + #6 + #8

02J180KP = #4 + #7 + #9

02J181KP = #5 + #7 + #9



### Partition Panels Hardware

| PART NUMBER | DESCRIPTION                   | QUANTITY |
|-------------|-------------------------------|----------|
| RM442002    | BAG POLY 6X8 3 MIL            | 1        |
| RM510107    | BOLT CARRIAGE ¼-20X3/4 ZINC   | 20       |
| RM511458    | SCREW ¼-20X3/4 7/16HEX WSHR   | 10       |
| RM511471    | SCREW ¼-20X1-1/4HEX WHD       | 4        |
| RM520111    | PLUS NUT #S25-PB-280 PRE-BULB | 14       |
| RM520112    | PLUS NUT TOOL #C500-25        | 1        |
| RM520312    | NUT ¼-20 E-STOP               | 20       |
| RM541039    | WASHER SPLIT LOCK ¼ GALV      | 14       |
| RM541061    | WASHER ¼" USS FLAT ZINC       | 20       |

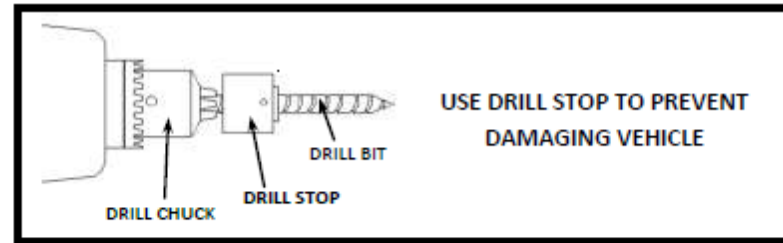
### Cab Divider Door Hardware (where applicable)

| PART NUMBER | DESCRIPTION                    | QUANTITY |
|-------------|--------------------------------|----------|
| RM580030    | PLASTIC LATCH COVER PLATE 2004 | 1        |
| RM580314    | HANDLE #H-I7003C INSIDE CHROME | 1        |
| RM580365    | HANDLE RND FLSH MNT PRTN DOOR  | 1        |

### Partition Attachment Panels Hardware

| PART NUMBER | DESCRIPTION                               | QUANTITY |
|-------------|---|----------|
| RM541039    | WASHER LOCK-SPLIT ¼" ZINC                 | 19       |
| RM511603    | SCREW SOCKET HEAD CAP M6X1X18 BLK OX 12.9 | 15       |
| RM510107    | BOLT CARRIAGE ¼-20X3/4                    | 18       |
| RM520312    | NUT ESTOP ¼-20                            | 18       |
| RM541061    | WASHER ¼ " USS FLAT                       | 37       |
| RM520111    | PLUS NUT #SRT25PB280 PRE-BULB             | 19       |
| RM520112    | PLUS NUT TOOL #C500-25                    | 1        |
| RM511477    | SCREW ¼-20X1-1/4 HWH G8                   | 1        |
| RM511428    | SCREW 1/4-20 X 1" HEX HD G8               | 19       |

**BEFORE DRILLING**  
**STOP** CHECK ALL MOUNTING LOCATIONS TO PREVENT PENETRATING  
 GAS LINES, GAS TANKS, BRAKE LINES, WIRING OR ANY OTHER STRUCTURE OF VEHICLE **STOP**



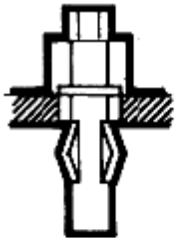
The Plusnut® is pre-bulbed for easy installation

1



The Plusnut® is pre-assembled with hex cap and hex bolt.  
Then it is inserted into a pre-drilled hole

2



As the bolt is tightened, the Plusnut® upsets  
and provides outstanding  
blind fastening holding power

3



C-500 tool tightens bolt thru hex head cap into Plusnut® A  
ratchet, open-end or closed-end wrench can be used.

4



Fully upset Plusnut® provides  
a reliable nut plate for fastening.

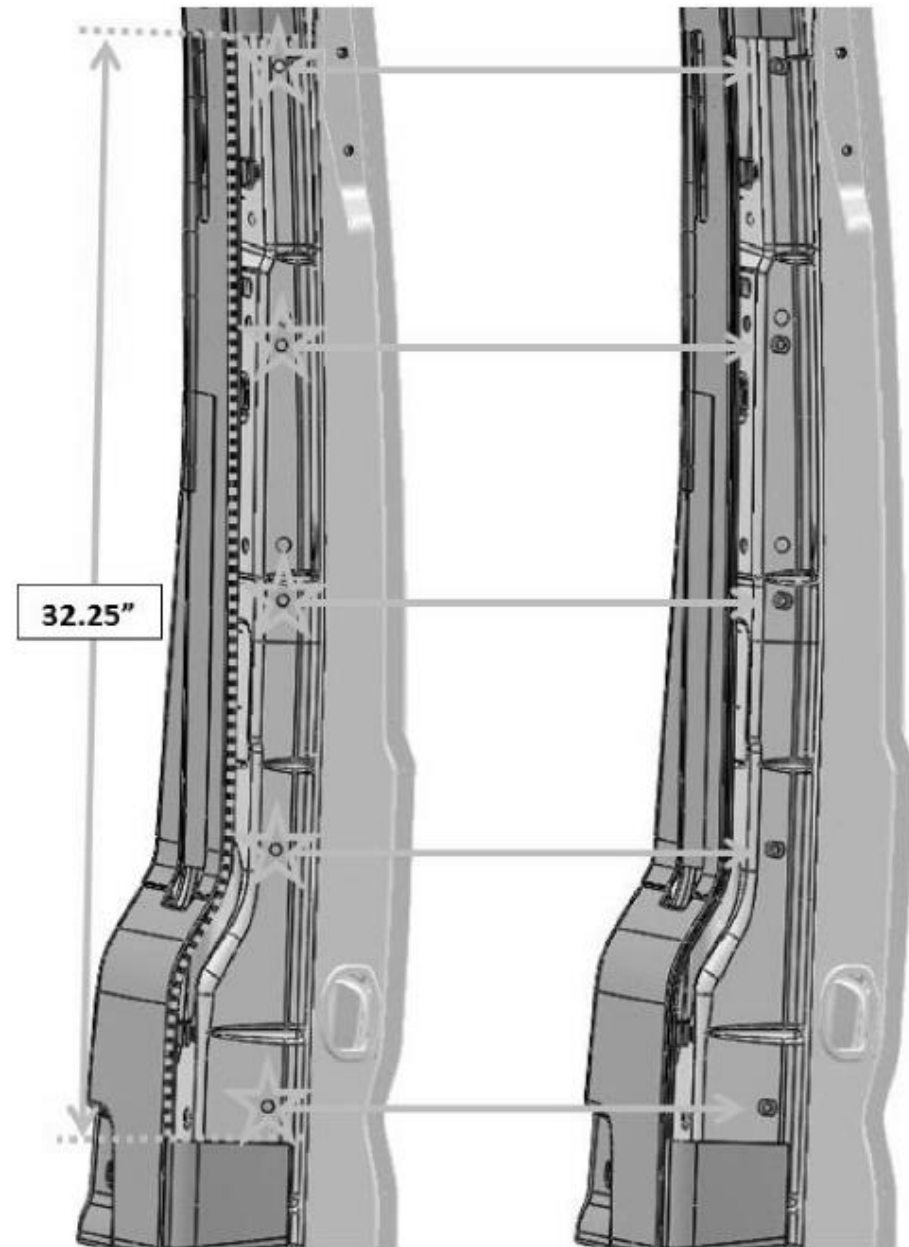
5

Cut out a section of the plastic trim on both B-Pillars, locate the OEM hex-holes, and install 10x Plusnuts\*.

**Hardware:**

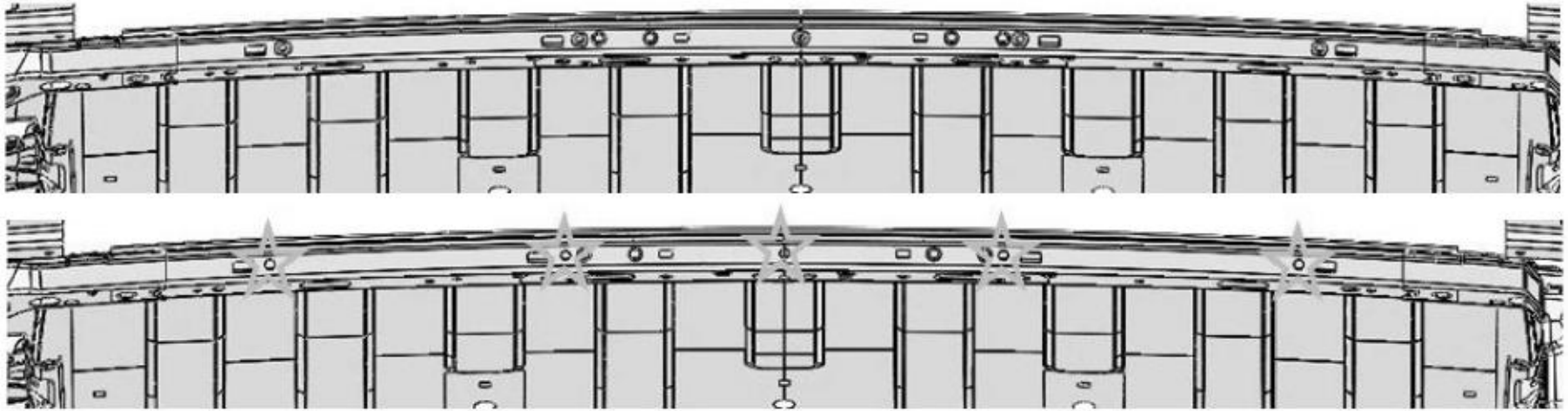
- (10x) Plusnuts [5x for each B-Pillar]

**\* REFER TO PAGE 4 FOR PLUSNUT INSTALLATION**





# Roof Bow Plusnut® Installation

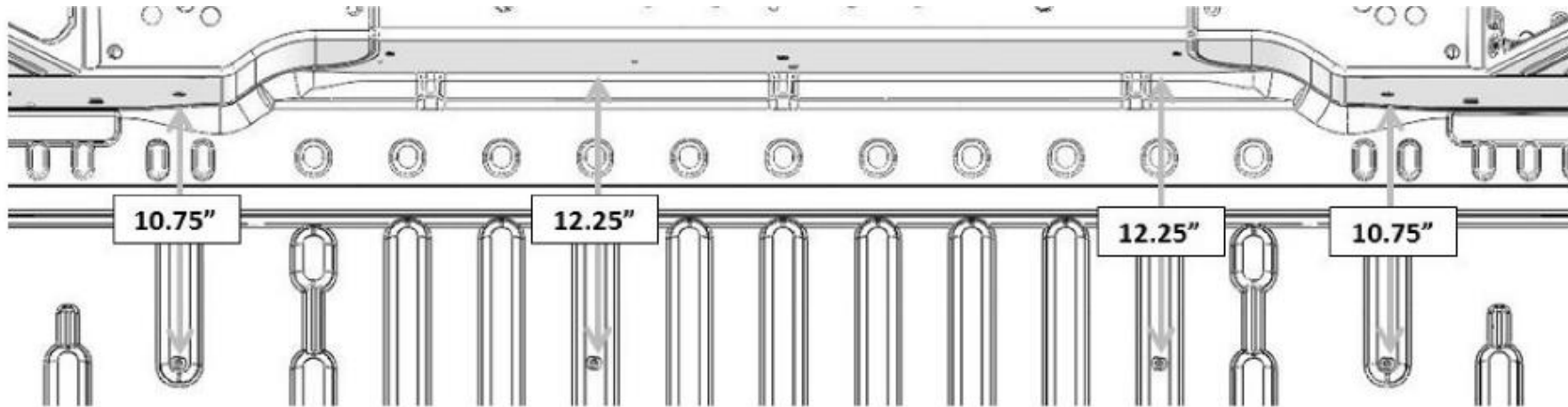


Locate the OEM hex-holes along the front Roof Bow (marked with a **star** in the above image), and install 5x Plusnuts\*.

Hardware:

- (5x) Plusnuts

**\* REFER TO PAGE 4 FOR PLUSNUT  
INSTALLATION**



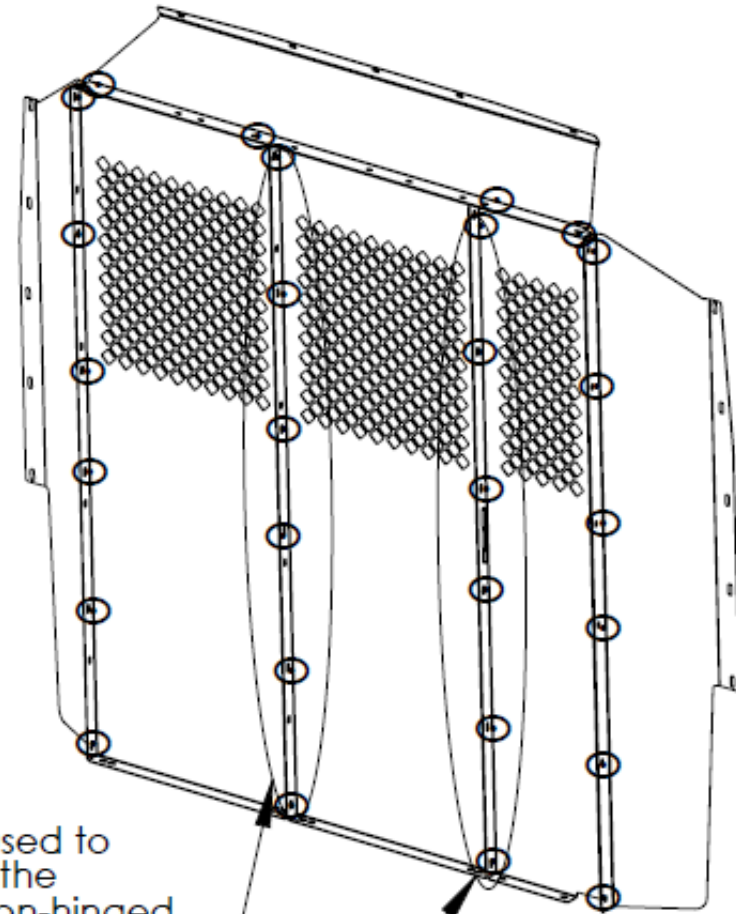
Drill 3/8" holes at the four locations (specified in the above image) on the floor of the vehicle, and install 4x Plusnuts\*.

**Hardware:**

- (4x) Plusnuts

**\* REFER TO PAGE 4 FOR PLUSNUT  
INSTALLATION**

⊙ Assemble and secure partition components at the slots marked at right.



Carriage bolts are used to mount the hinge to the Street Side Panel. Non-hinged configurations are Panel to Panel

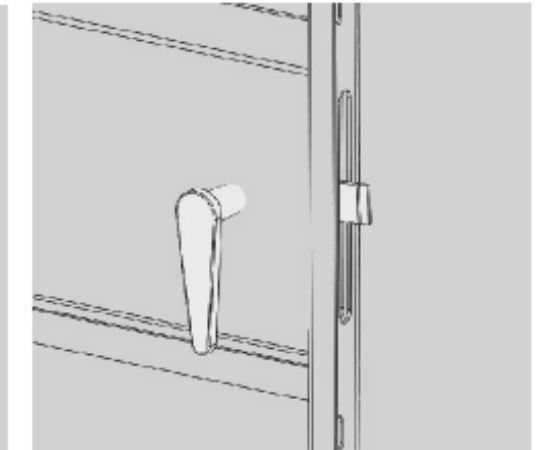
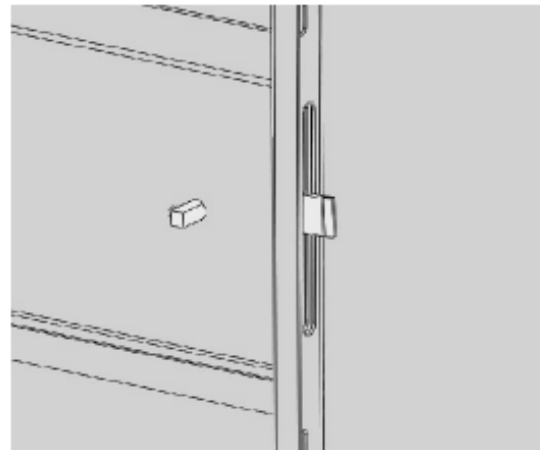
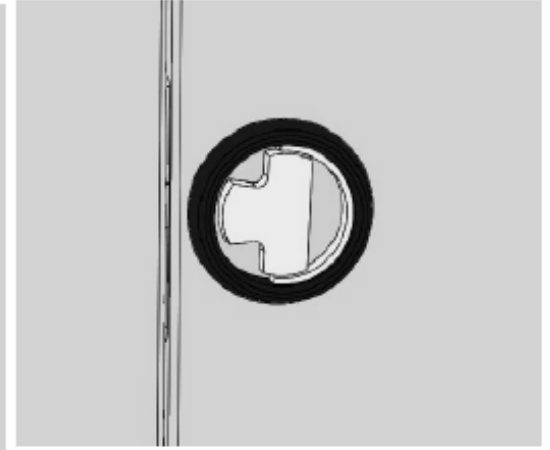
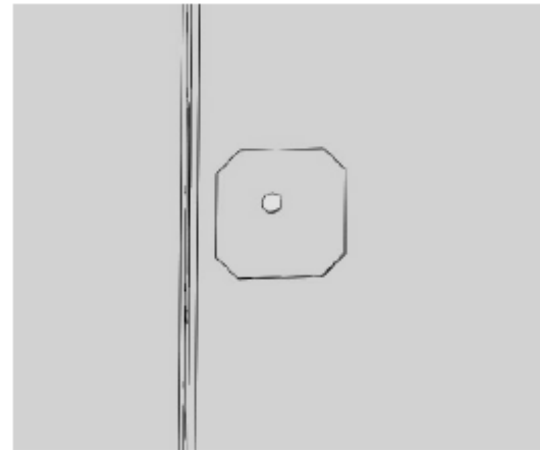
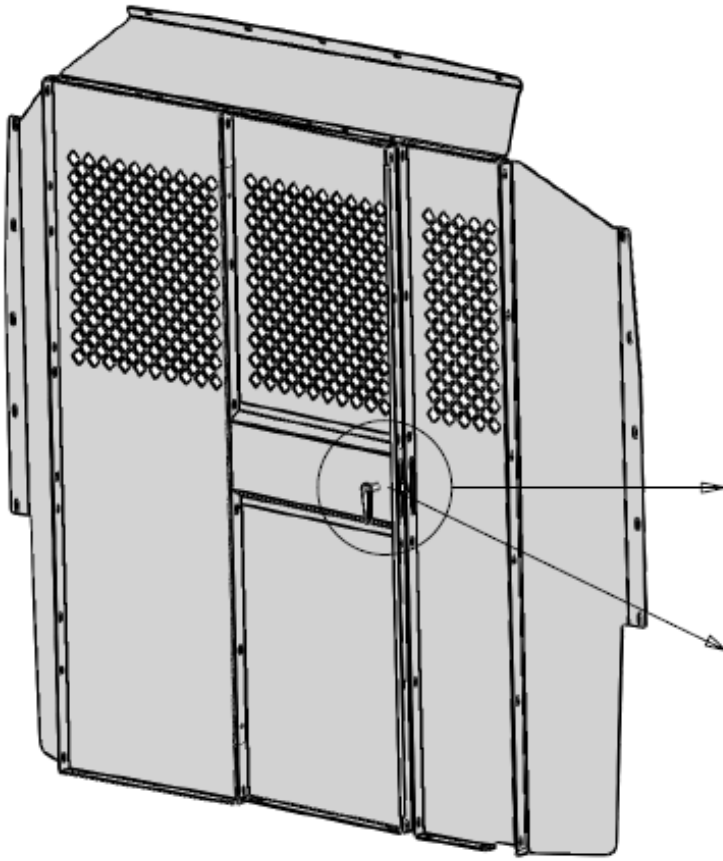
Bolts not used on hinged door versions; this flange

## TORQUE SETTING:

**1/4-20 Grade 5 = 7 - 9.6 ft-lbs**



## Hinged Door Handle Assembly

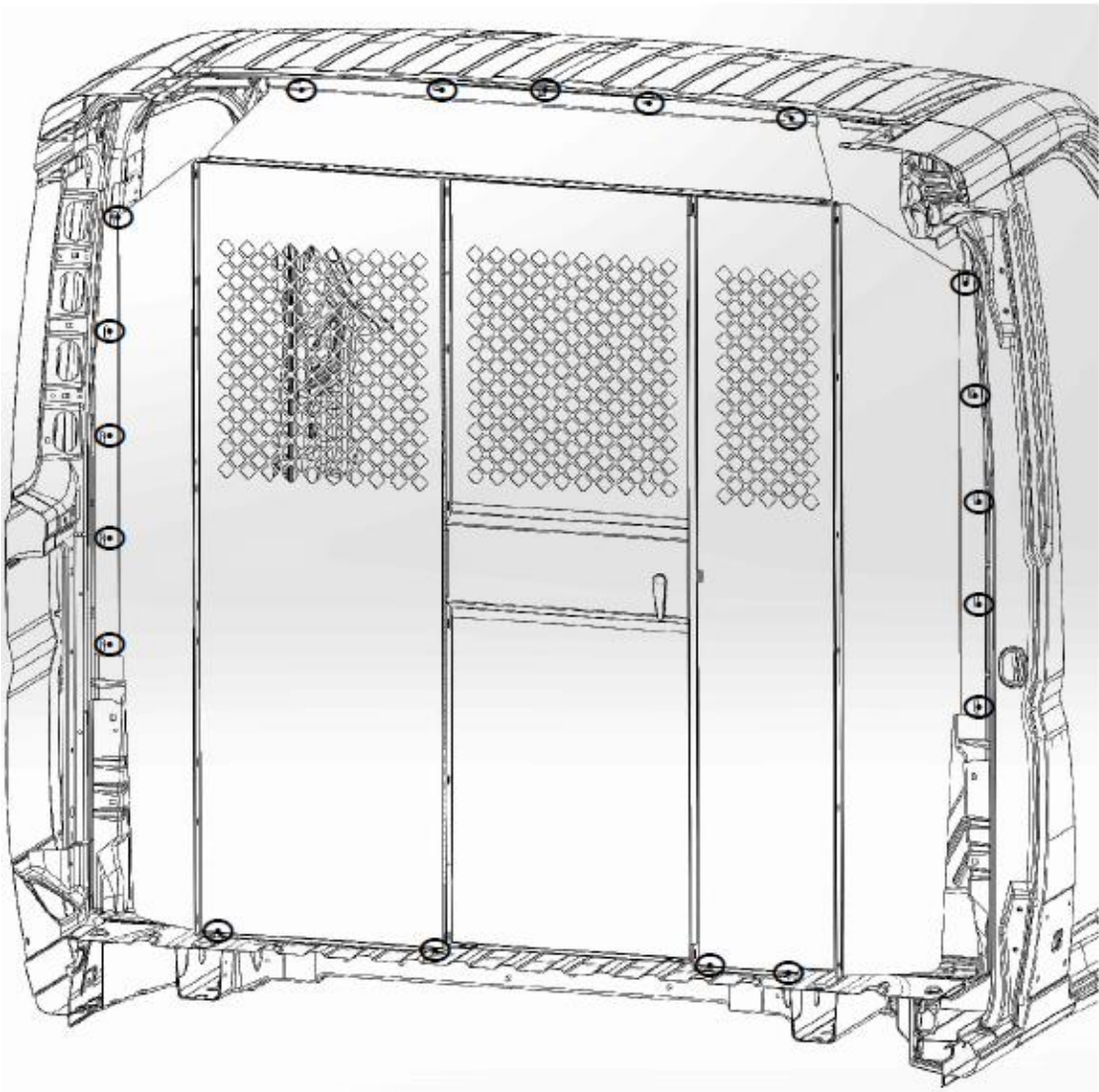


Snap the CAB-Side Door Handle into the hex cutout (be sure that lock cam is aligned properly). Secure the Cargo-Side Door Handle to the square rod protruding from the back of the Cab-Side Door Handle.

### Hardware:

- (1) Cab-Side Door Handle
- (1) Cargo-Side Door Handle

Note: Plastic Latch Cover Plate not used.

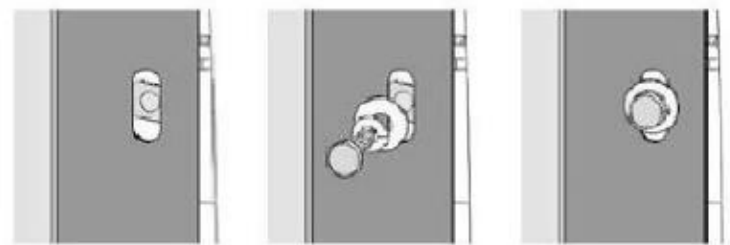


**Torque Settings:**  
1/4-20 Grade 8 = 10 to 13.5 ft-lbs  
M6 Grade 10.9 - 11 to 15 N-m

**Standard Install:** Mount the assembled partition to the installed Plusnuts\*.

**Standard Hardware:**

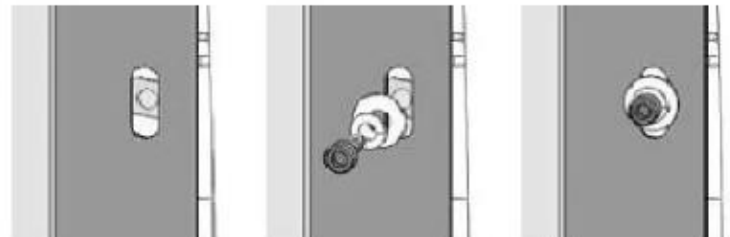
- (19x) 1/4"-20x1 Hex Head Bolt [Grade 8]
- (19x) 1/4" Split Lock Washer
- (19x) 1/4" Flat Washer



**Replacing OEM Partition:** Bolt the assembled partition to the OEM Hex mounting points.

**Replacing OEM Partition Hardware:**

- (19x) M6x1x18 Socket Head Bolt [12.9]
- (19x) 1/4" Split Lock Washer
- (19x) 1/4" Flat Washer



## 3 Year / 36,000 Mile Limited Warranty

MASTERACK® commercial van and pickup equipment is warranted to be from defects in material and workmanship, under normal use and service for a period of one (1) year from date of purchase. Factory installations, and products installed in new vehicles by an authorized MASTERACK® installer are warranted for **(3) years or 36,000 miles (60,000 KM)**, whichever comes first. **This warranty covers only repairs, or at MASTERACKS' discretion, replacement to correct any defects related to materials and workmanship.**

### This warranty does not apply to:

- Additions, alterations, or installations made by persons including dealers, other than MASTERACK® and its authorized distributors, made in accordance with MASTERACK® specifications and / or instructions, nor to defects arising out of attribute to such additions, alterations or installations.
- Defects attributable to abuse or misuse of the product, misapplication, negligent accident, modification or tampering.
- Damage resulting from failure to promptly notify and comply with the instructions of the dealer or manufacturer about defects when noted.
- Any incidental or consequential damages connected with a defect, either while under warranty or afterward, including the cost of a rental truck and / or loss or revenue.

**THE WARRANTY IS THE ONLY WARRANTY APPLICABLE TO A MASTERACK PRODUCT PURCHASE. ALL OTHER WARRANTIES, EXPRESSED OR IMPLIED, INCLUDING BUT NOT LIMITED TO, THE IMPLIED WARRANTIES OR MERCHANTABILITY AND FITNESS FOR A PARTICULAR PURPOSE ARE DISCLAIMED. MASTERACK® AND ITS SUBSIDIARIES, SHALL NOT BE LIABLE FOR ANY INCIDENTAL OR CONSEQUENTIAL DAMAGES ARISING OUT OF ANY BREACH OF THIS WARRANTY, NOR SHALL THE DAMAGES EXCEED THE RETURN AMOUNT OF THE PURCHASE PRICE PAID BY THE ORIGINAL PURCHASER.**

Warranty claims must be submitted to either your sales representative or a customer service representative at **1-800-222-8785**. The vehicle must be delivered to the original MASTERACK® authorized dealer for inspection and any warranty service. Any warranty service to be performed by a source other than MASTERACK® location or an approved MASTERACK® distributor must be authorized in advance of the repairs by the MASTERACK® Warranty Administrator and a purchase order issued by MASTERACK® in advance or repairs for the authorized repairs.