

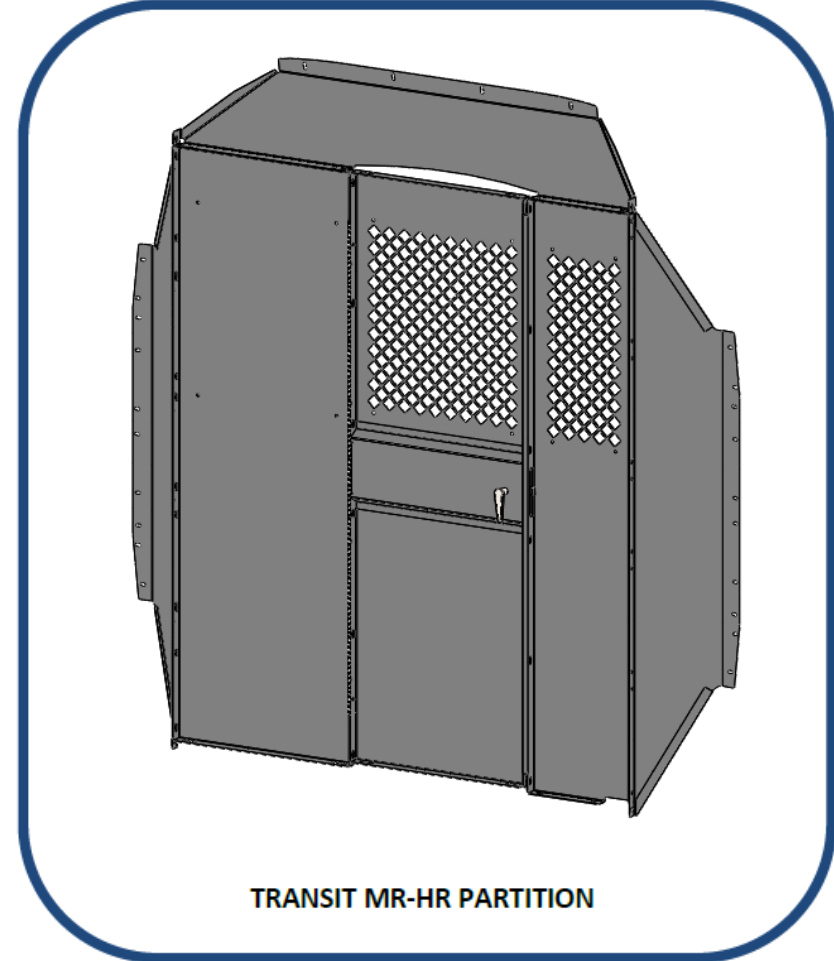
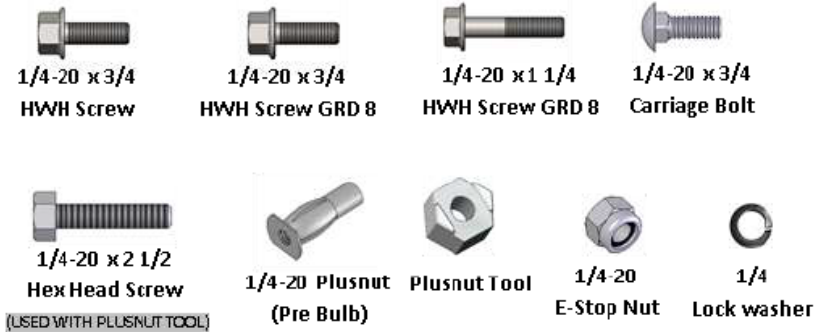
TRANSIT MR-HR PARTITION

ASSEMBLY / INSTALLATION INFORMATION

Recommended Tools

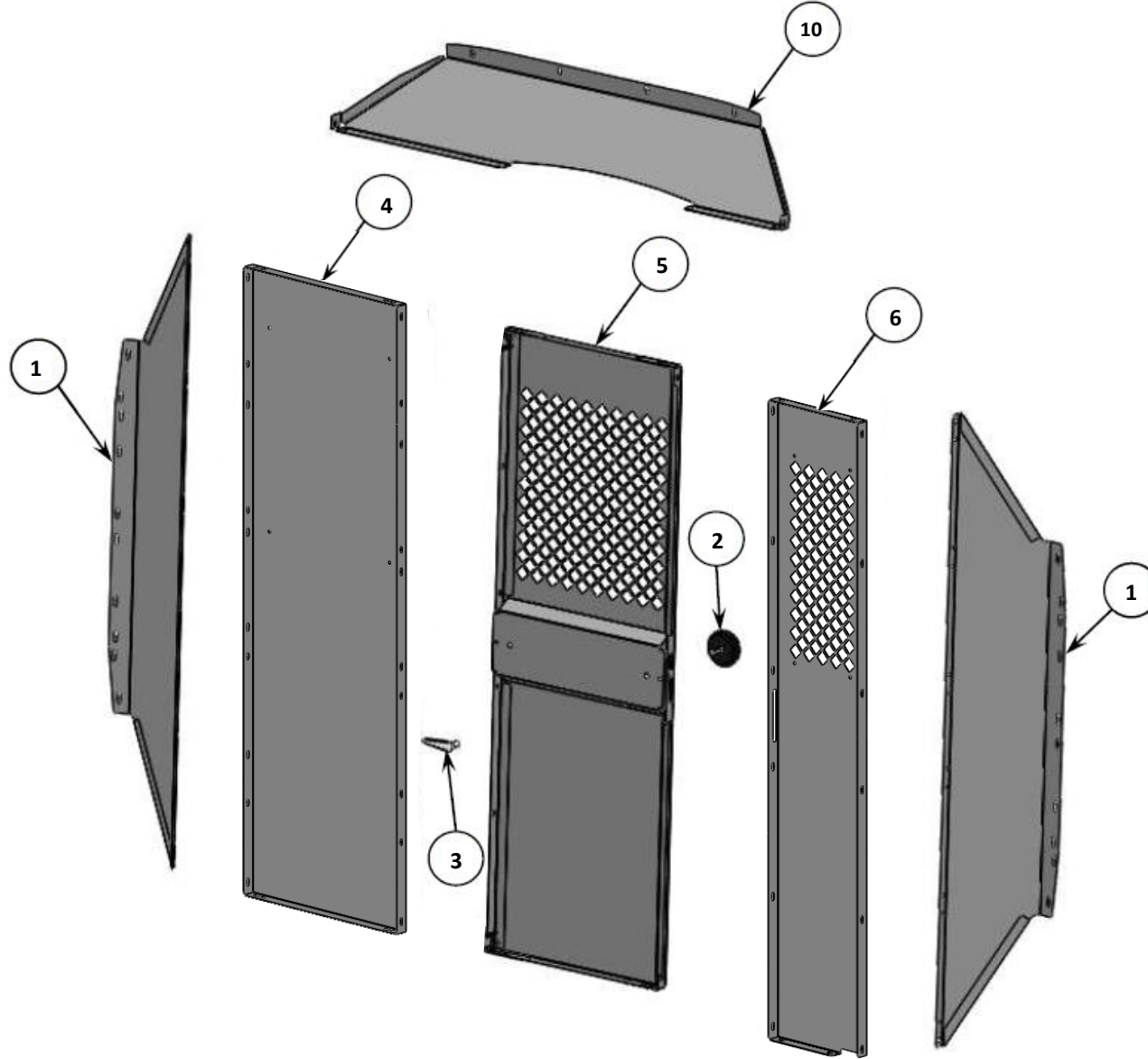


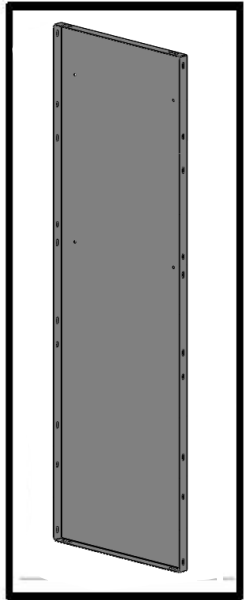
Hardware



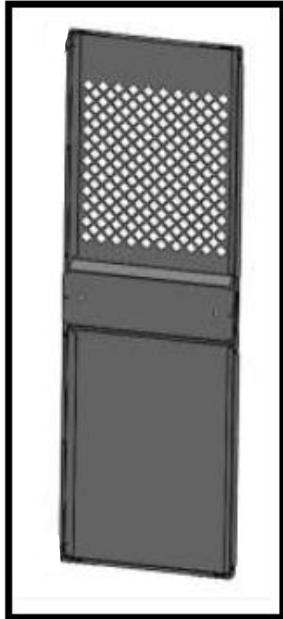
BEFORE INSTALLATION PLEASE REVIEW THIS ENTIRE DOCUMENT,
UNTIL YOU ARE COMPLETELY FAMILIAR WITH ALL STEPS BEFORE BEGINNING. A "PRACTICE RUN" OF THESE STEPS / PROCEDURES MAY BE HELPFUL TO ASSIST YOU IN FAMILIARIZING YOURSELF THOROUGHLY, AND AVOIDING COSTLY ERRORS.

EXPLODED VIEW

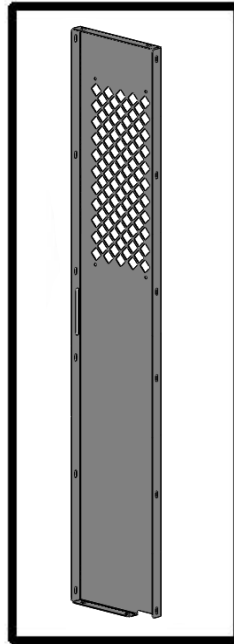




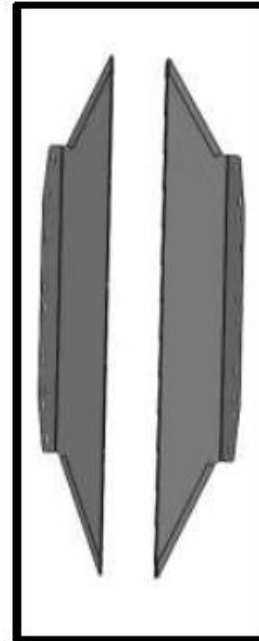
4 LEFT PANEL
SEE PAGE 4



5 HINGED DOOR PANEL
SEE PAGE 4



6 RIGHT PANEL
SEE PAGE 4



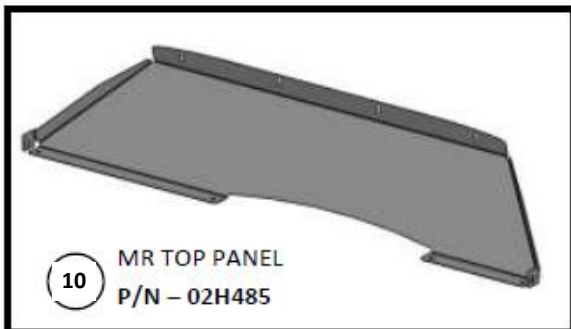
1 SIDE PANELS
P/N – 02H486



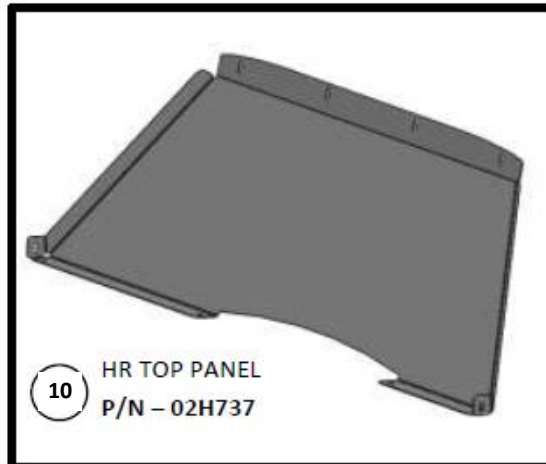
2 ROUND HANDLE
P/N – RM580356



3 CHROME HANDLE
P/N – RM580314



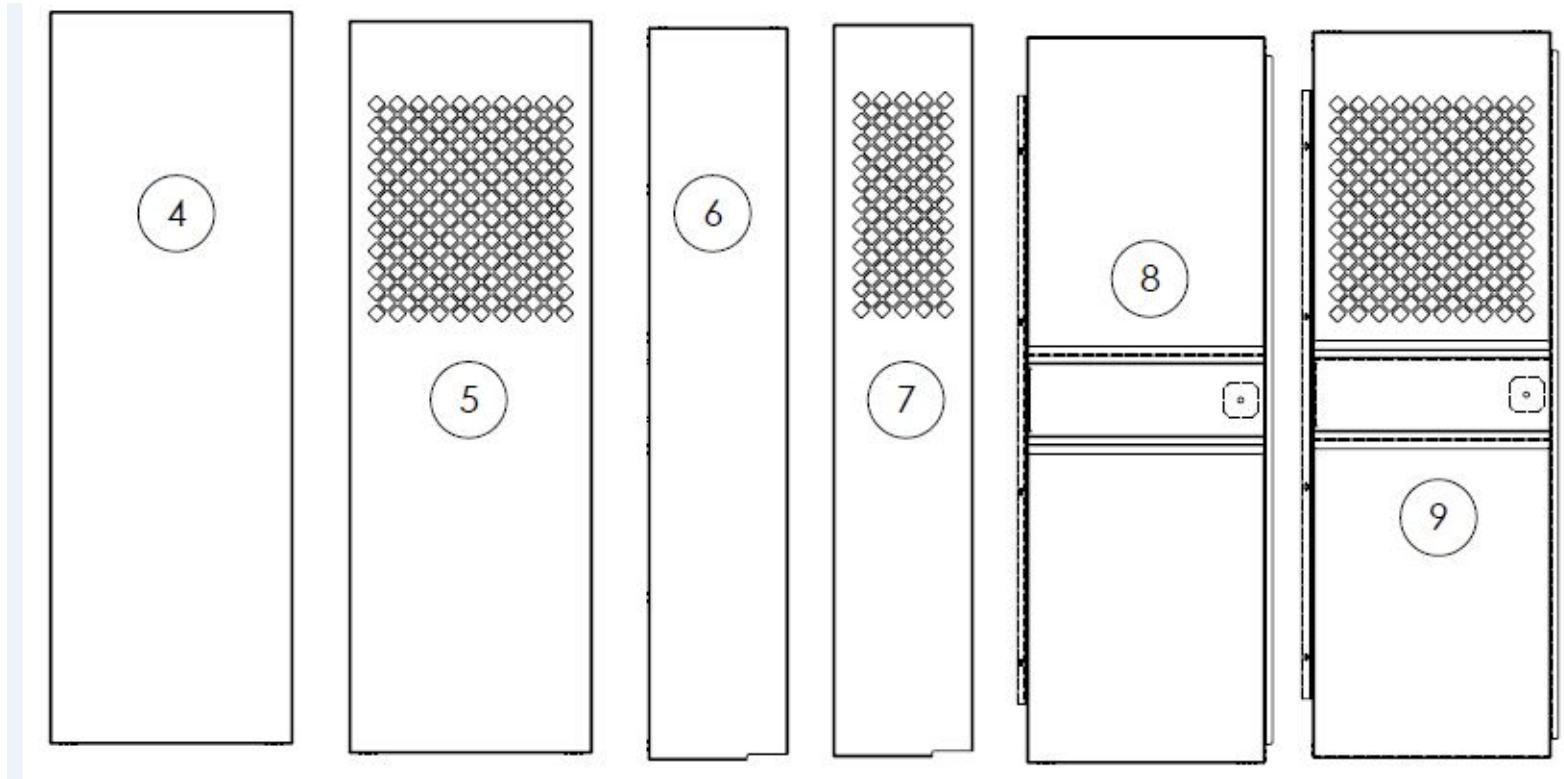
10 MR TOP PANEL
P/N – 02H485



10 HR TOP PANEL
P/N – 02H737

Review this document to ensure that all parts and hardware are included in the package, before installation. In the event that parts are missing please contact Masterack @ 1-800-222-8785, to re-order missing parts.

PARTITION PANEL ORDERING GUIDE



ITEM NUMBER	PART NUMBER	DESCRIPTION
4	02J158	HIGH/MID ROOF SLD PNL TYPE 2
5	02J159	HIGH/MID ROOF PRF PNL TYPE 2
6	02J160	HIGH/MID ROOF SLD CS TYPE 2
7	02J161	HIGH/MID ROOF PRF CS TYPE 2
8	02J162	HIGH/MID ROOF SLD HGD TYPE 2
9	02J163	HIGH/MID ROOF PRF HGD TYPE 2

NOT-HINGED

02J176KP = #4 + #4 + #6

02J177KP = #4 + #5 + #7

02J178KP = #5 + #5 + #7

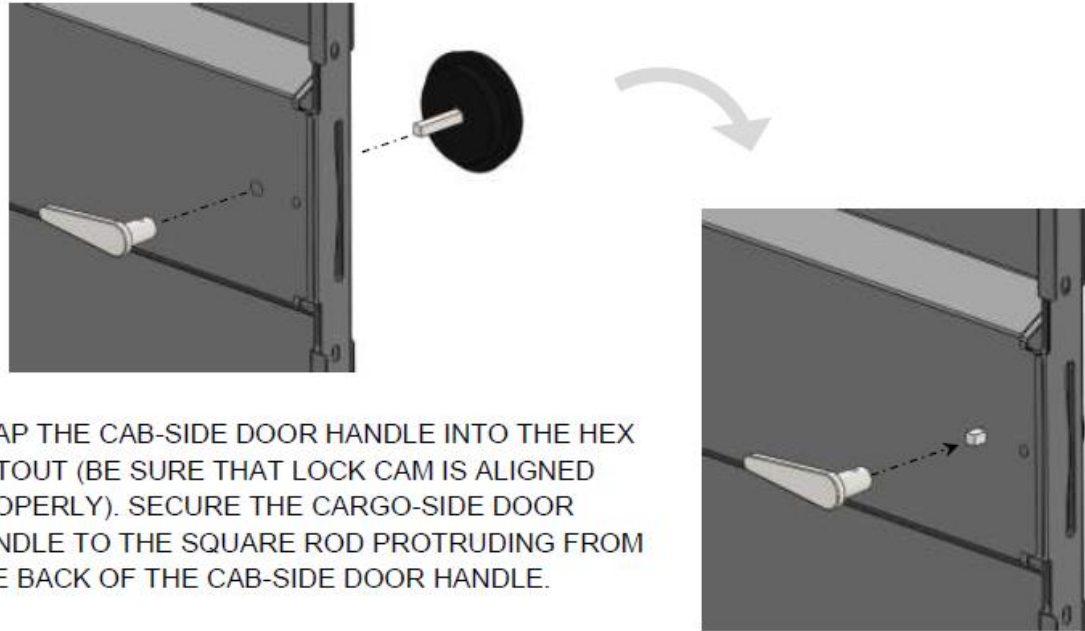
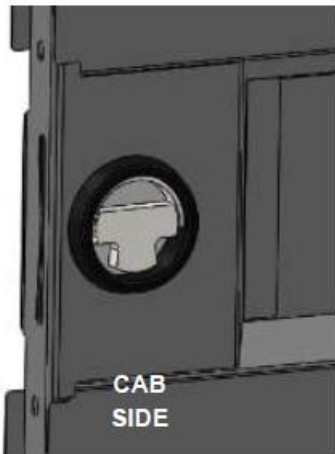
HINGED

02J179KP = #4 + #6 + #8

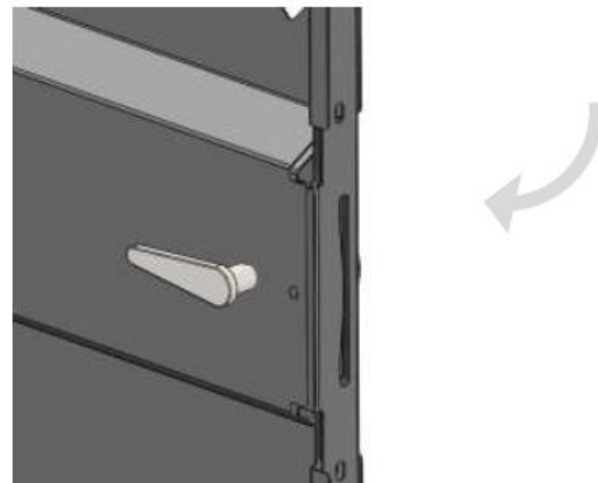
02J180KP = #4 + #7 + #9

02J181KP = #5 + #7 + #9

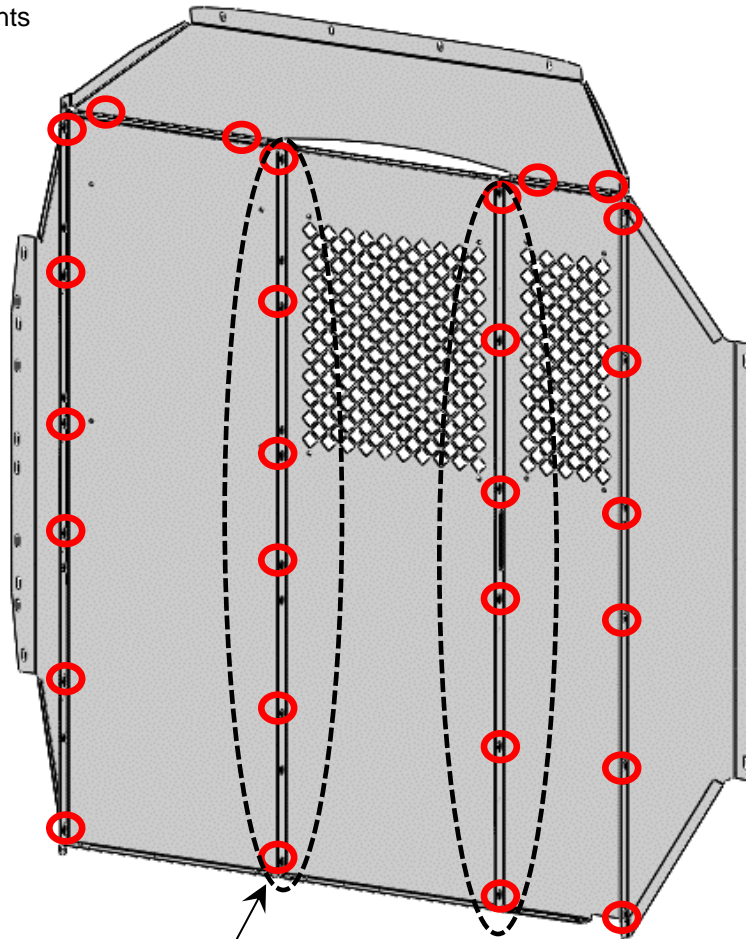
ATTACHING DOOR HANDLE to CENTER PANEL



SNAP THE CAB-SIDE DOOR HANDLE INTO THE HEX CUTOUT (BE SURE THAT LOCK CAM IS ALIGNED PROPERLY). SECURE THE CARGO-SIDE DOOR HANDLE TO THE SQUARE ROD PROTRUDING FROM THE BACK OF THE CAB-SIDE DOOR HANDLE.



○ Assemble and secure partition components at the slots marked at right.

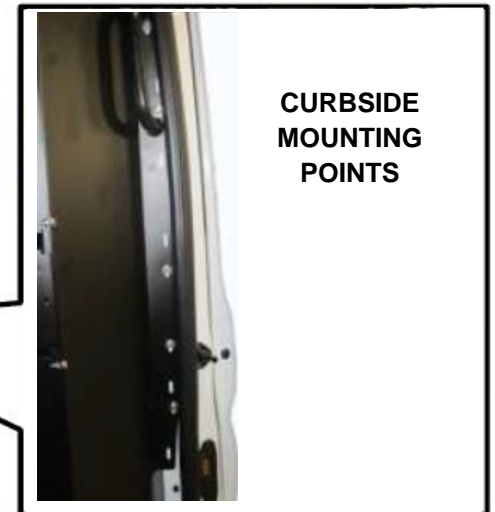
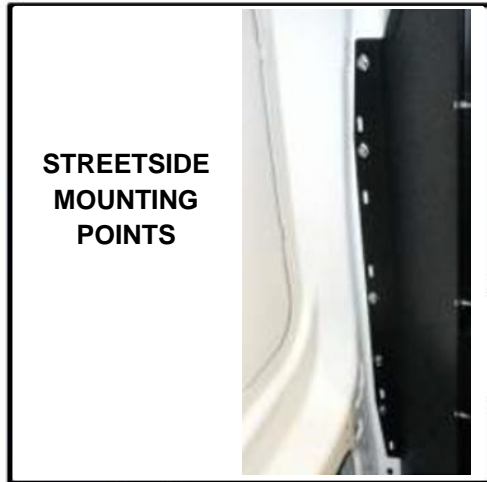


Carriage bolts are used to mount the hinge to the Street Side Panel. Non-hinged Configurations are Panel to Panel

Bolts not used on hinged door versions; this flange

TORQUE SETTING:
1/4-20 Grade 5 = 7 - 9.6 ft-lbs

PARTITION INSTALLATION



INSTALLATION WILL REQUIRE THAT THE GRAB HANDLE ON THE CURBSIDE BE REMOVED DURING INSTALLATION

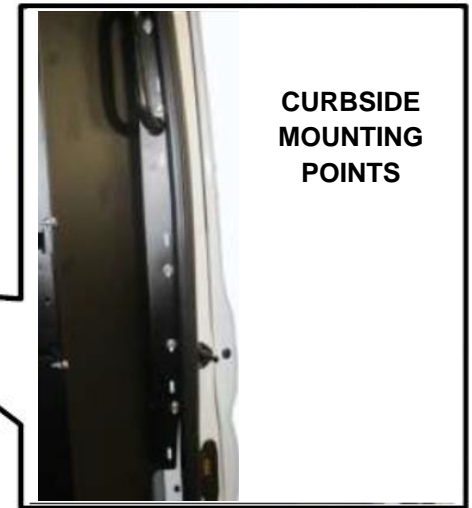
SECURING @ B-PILLARS



Mark mounting points on B-Pillar using a hammer and center punch.
For ease of drilling move partition and drill (5) 3/8" pilot holes
Next install M6 Plusnuts (SEE Pg. 16)



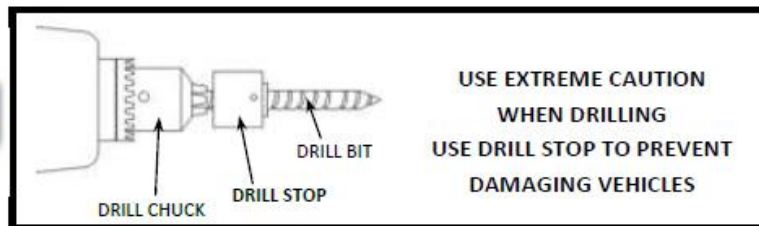
Position assembled partition into van.
Use a 90degree straight edge to align the partition.
Use C-clamps to temporarily secure partition in place.

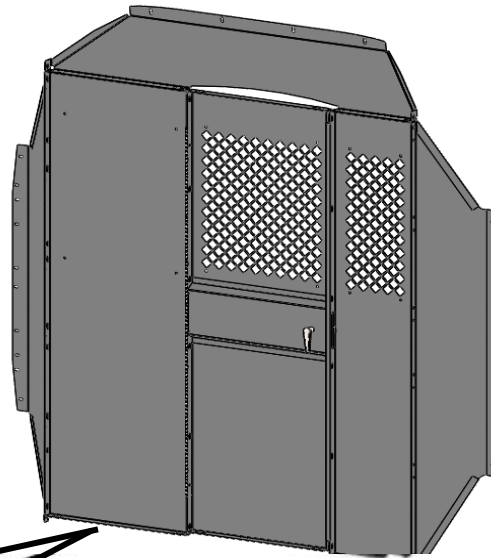


With Grab Handle removed and the Partition properly positioned, align with the preinstalled 6mm Weldnuts in The B-Pillar.
Secure using:
(5) M6X1.0 X 25MM HWH 10.9 Screws
(5) 1/4 Flat Washers



**ONCE INSTALLED
RE-MOUNT THE GRAB HANDLE
AND TORQUE SCREWS TO 93 IN-LBS.**





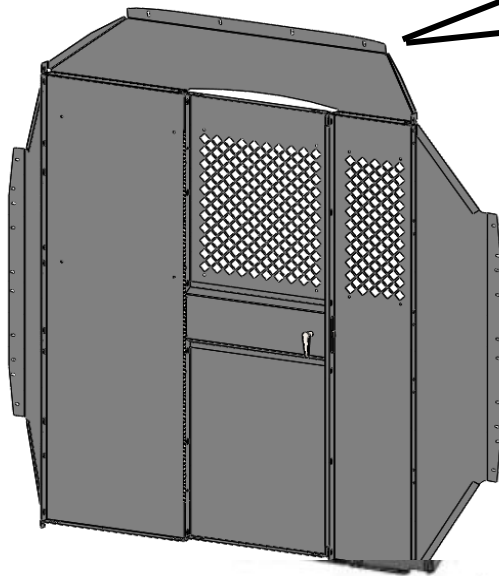
Mark mounting points on Floor
using a hammer and center punch.
For ease of drilling move partition
and drill (3) 3/8" pilot holes
Next install 1/4-20 Plusnuts (SEE Pg. 16)

Secure Using:
(3) 1/4-20 x 1-1/4 HWH Screw Grd 8
(3) 1/4 Lock Washer

TORQUE SETTING:
Size - 1/4 = 7 - 9.5 Ft.-Lbs.

SECURING @ ROOF

Fax: 404-659

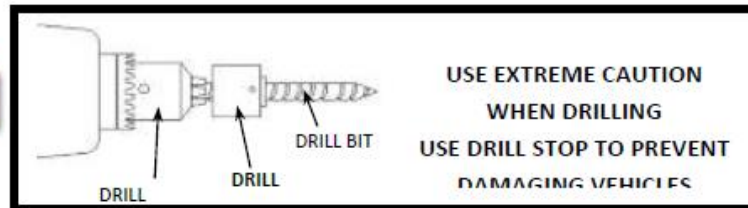


With Partition properly positioned
Mark mounting points on Roof Beam using a hammer and center punch.
For ease of drilling move partition and drill 3/8" pilot holes at locations shown.
Next install Plusnuts (SEE Pg. 16)

(TOTAL OF 4 MOUNTING POINTS)

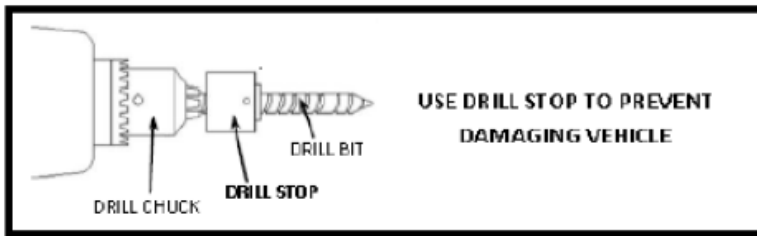
Replace assembled partition and secure using:
(4) 1/4-20 x 1-1/4 HWH Screws Grd 8
(4) 1/4 Split Lock Washers

TORQUE SETTING:
Size - 1/4 = 7 - 9.5 Ft.-Lbs.



BEFORE DRILLING

STOP CHECK ALL MOUNTING LOCATIONS TO PREVENT PENETRATING GAS LINES, GAS TANKS, BRAKE LINES, WIRING OR ANY OTHER STRUCTURE OF VEHICLE **STOP**



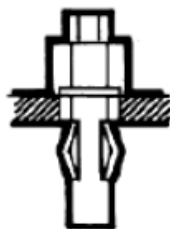
The Plusnut® is pre-bulbed for easy installation

1



The Plusnut® is pre-assembled with hex cap and hex bolt. Then it is inserted into a pre-drilled hole

2



As the bolt is tightened, the Plusnut® upsets and provides outstanding blind fastening holding power.

3



C-500 tool tightens bolt thru hex head cap into Plusnut®. A ratchet, open-end or closed-end wrench can be used.

4



Fully upset Plusnut® provides a reliable nut plate for fastening.

5

3 Year / 36,000 Mile Limited Warranty

MASTERACK® commercial van and pickup equipment is warranted to be from defects in material and workmanship, under normal use and service for a period of one (1) year from date of purchase. Factory installations, and products installed in new vehicles by an authorized MASTERACK® installer are warranted for (3) years or 36,000 miles (60,000 KM), whichever comes first. **This warranty covers only repairs, or at MASTERACKS' discretion, replacement to correct any defects related to materials and workmanship.**

This warranty does not apply to:

- Additions, alterations, or installations made by persons including dealers, other than MASTERACK® and its authorized distributors, made in accordance with MASTERACK® specifications and / or instructions, nor to defects arising out of attribute to such additions, alterations or installations.
- Defects attributable to abuse or misuse of the product, misapplication, negligent accident, modification or tampering.
- Damage resulting from failure to promptly notify and comply with the instructions of the dealer or manufacturer about defects when noted.
- Any incidental or consequential damages connected with a defect, either while under warranty or afterward, including the cost of a rental truck and / or loss or revenue.

THE WARRANTY IS THE ONLY WARRANTY APPLICABLE TO A MASTERACK PRODUCT PURCHASE. ALL OTHER WARRANTIES, EXPRESSED OR IMPLIED, INCLUDING BUT NOT LIMITED TO, THE IMPLIED WARRANTIES OR MERCHANTABILITY AND FITNESS FOR A PARTICULAR PURPOSE ARE DISCLAIMED. MASTERACK® AND ITS SUBSIDIARIES, SHALL NOT BE LIABLE FOR ANY INCIDENTAL OR CONSEQUENTIAL DAMAGES ARISING OUT OF ANY BREACH OF THIS WARRANTY, NOR SHALL THE DAMAGES EXCEED THE RETURN AMOUNT OF THE PURCHASE PRICE PAID BY THE ORIGINAL PURCHASER.

Warranty claims must be submitted to either your sales representative or a customer service representative at **1-800-222-8785**. The vehicle must be delivered to the original MASTERACK® authorized dealer for inspection and any warranty service. Any warranty service to be performed by a source other than MASTERACK® location or an approved MASTERACK® distributor must be authorized in advance of the repairs by the MASTERACK® Warranty Administrator and a purchase order issued by MASTERACK® in advance or repairs for the authorized repairs.