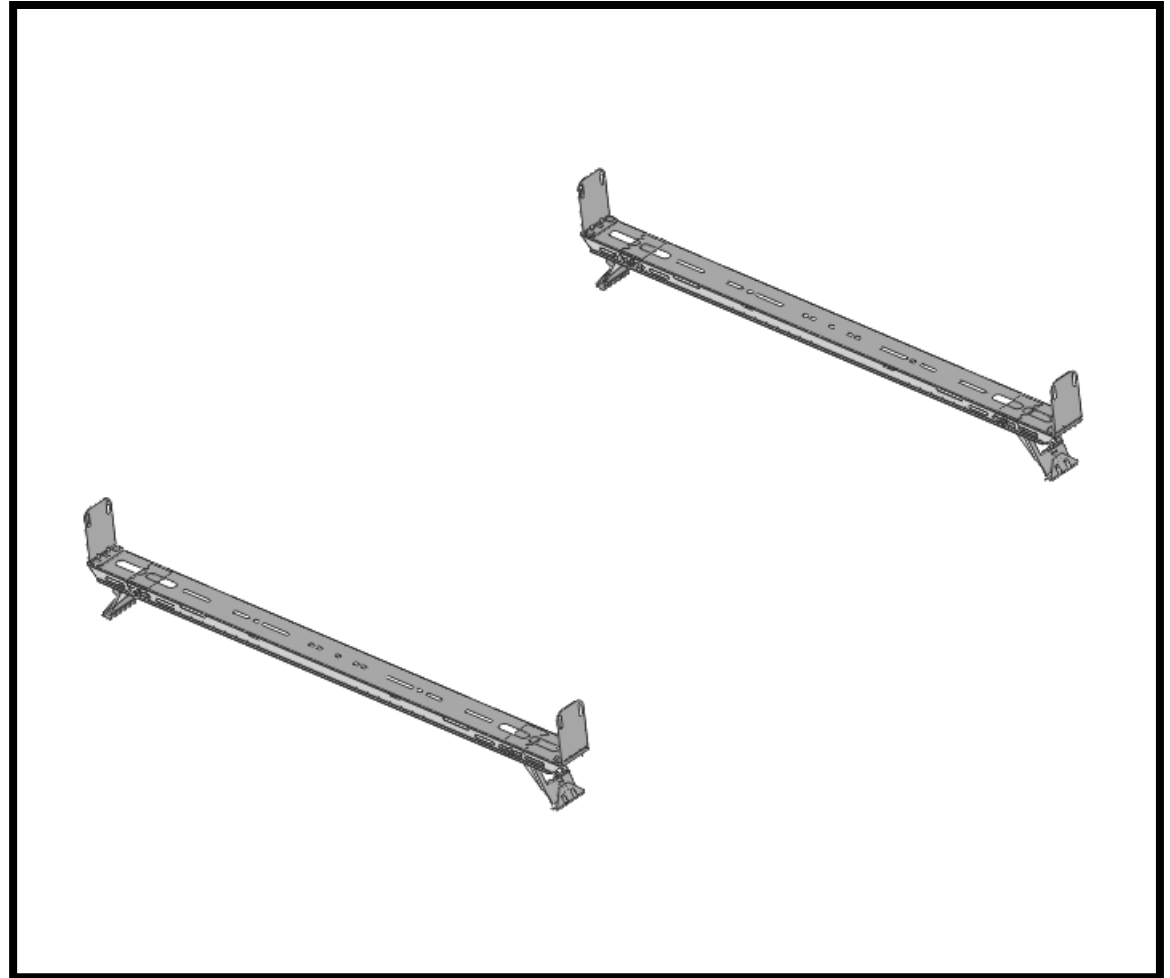


Recommended Tools



Hardware

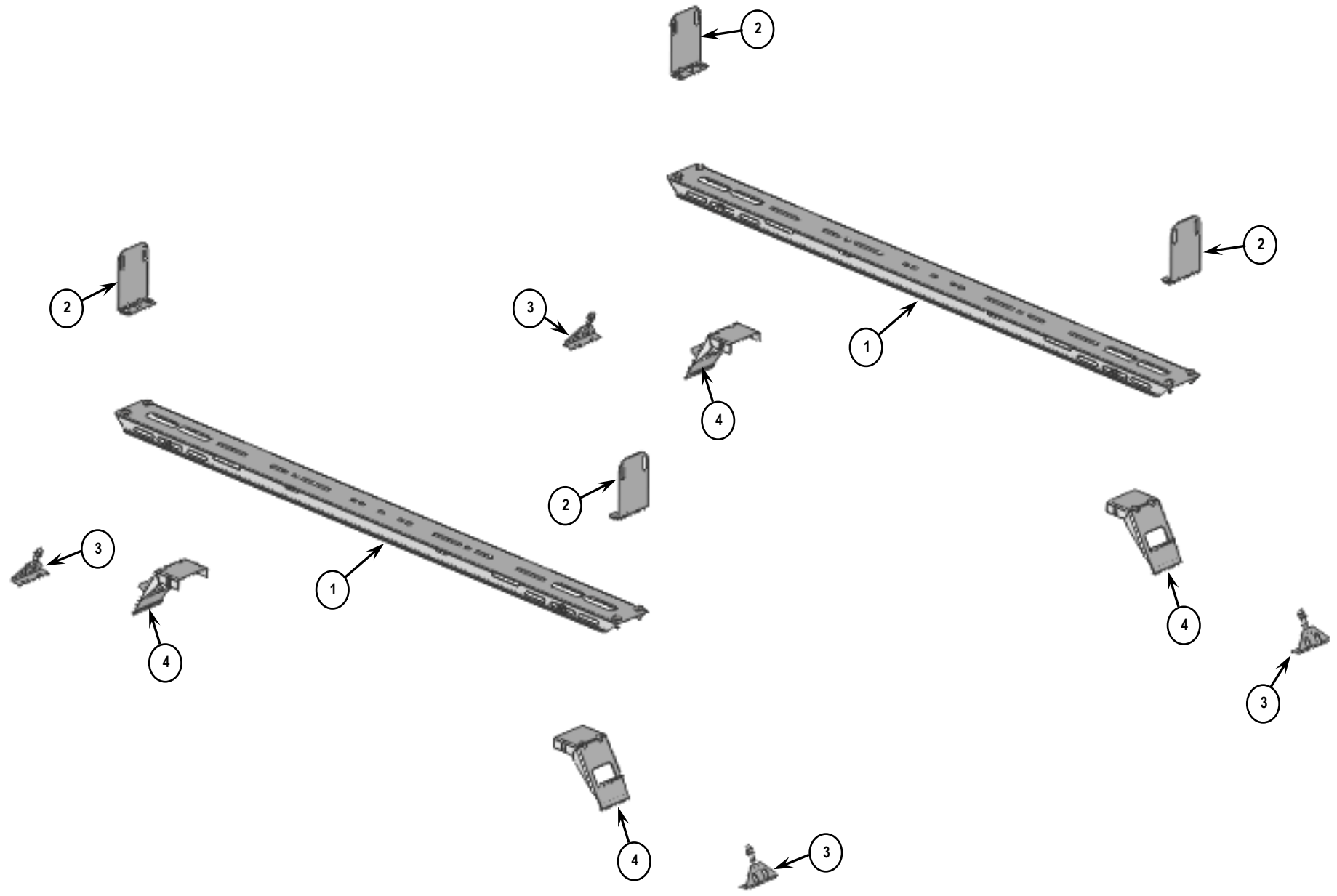


FULL SIZE UTILITY CARRIER

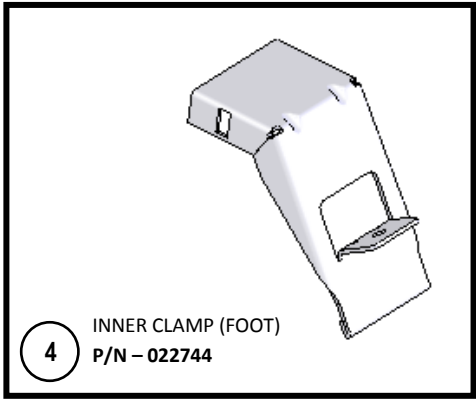
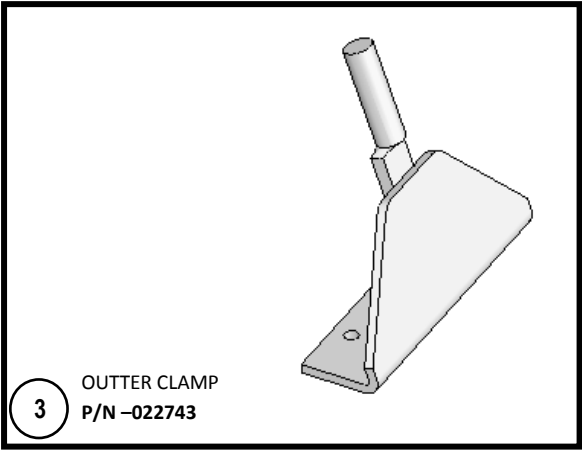
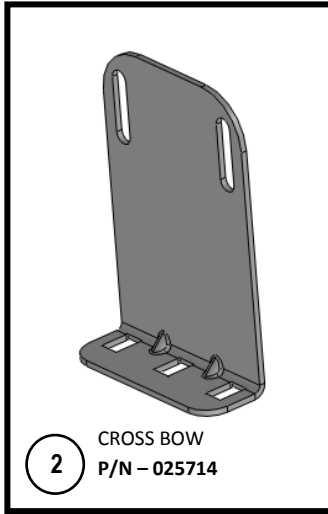
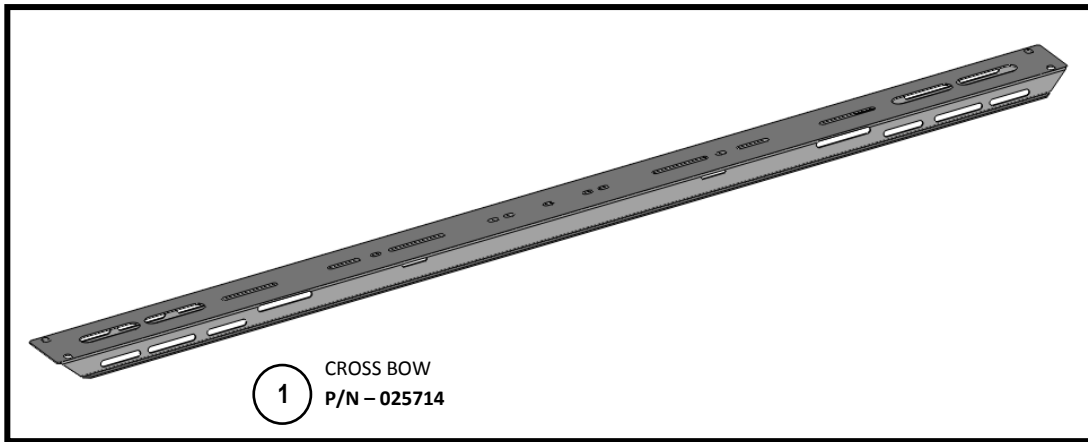
022553KP

Review this document to ensure that all parts and hardware are included in the package, before installation.
In the event that parts are missing please contact Masterack @ 1-800-222-8785, to re-order missing parts.

EXPLODED VIEW



COMPONENTS



ATTACHING INNER CLAMP TO FRONT CROSSBOW

ATTACHING INNER CLAMPS (FEET)

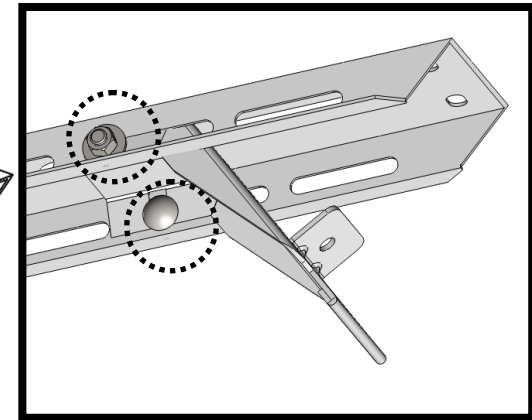
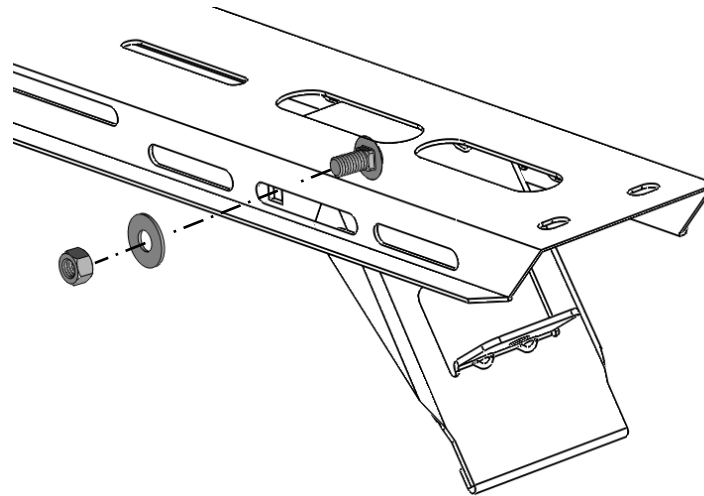
Attach **Inner clamps** to each end as shown, using:

(4) 3/8-16 x 3/4 Carriage Bolts,

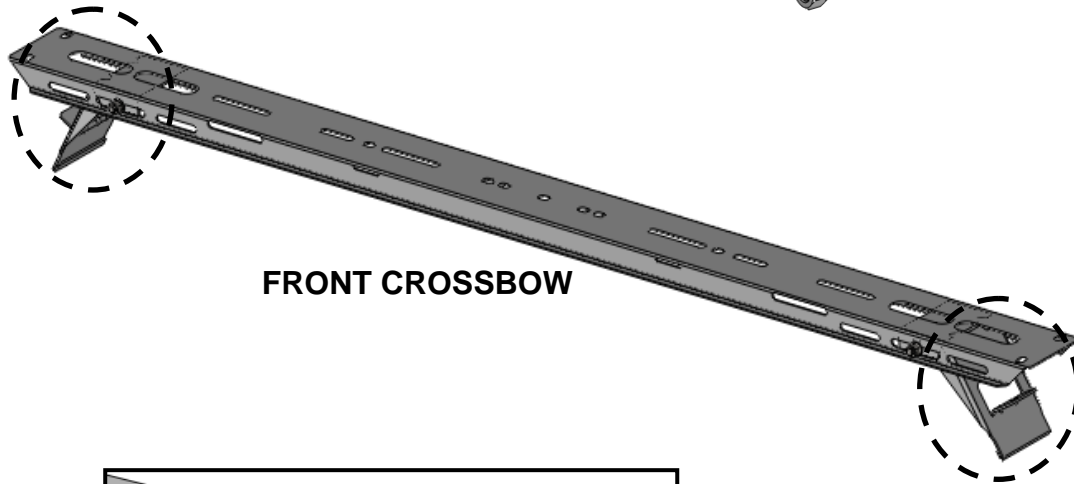
(4) 3/8 Washers and (4) 3/8 E-Stop Nuts **per clamp**.

NOTE: THE DISTANCE BETWEEN THE FEET IS MAKE SPECIFIC.

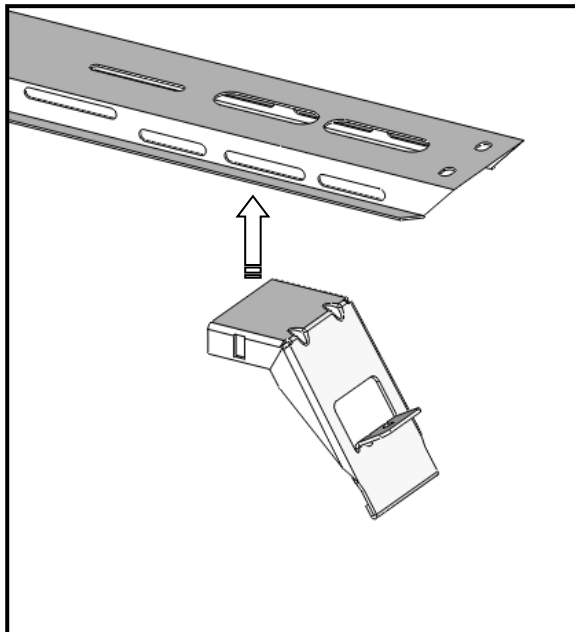
USE THE CHART BELOW FOR FULL SIZE VAN DIMENSIONS.



TORQUE SETTING:
Size - 3/8 = 22-30 Ft.-Lbs.



FRONT CROSSBOW



FRONT CROSSBOW FOOT PLACEMENT

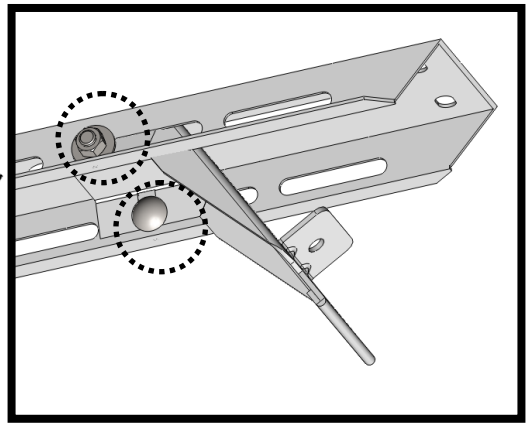
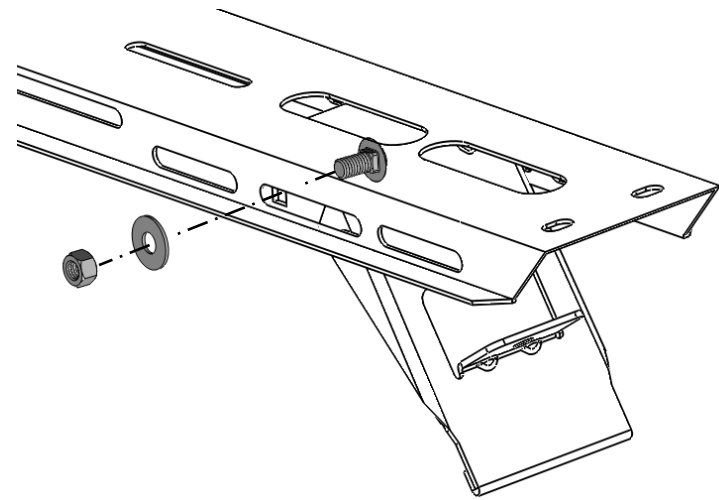
VEHICLE	FRONT FEET O. D.
Chevrolet	58-1/2"
Ford	64"

ATTACHING INNER CLAMP TO REAR CROSSBOW

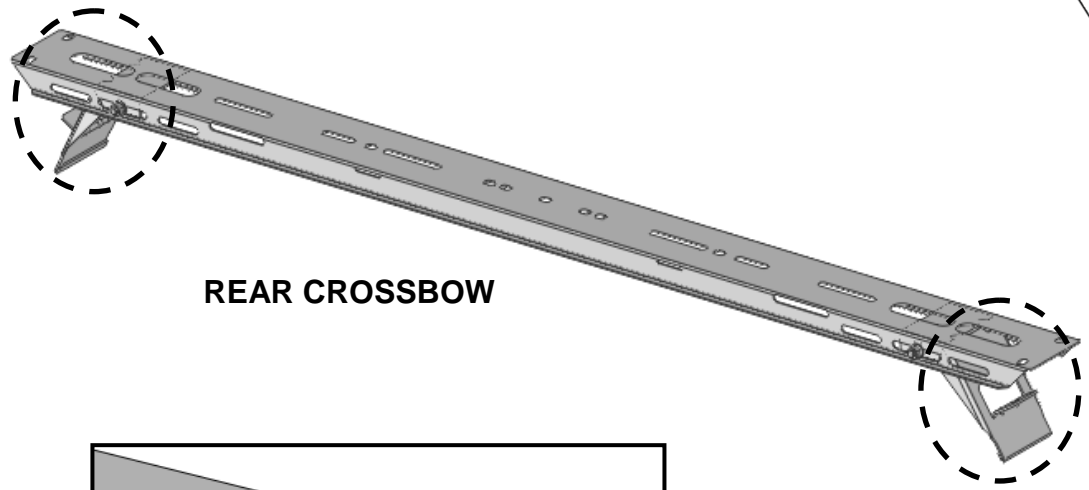
ATTACHING INNER CLAMPS (FEET)

Attach **Inner clamps** to each end as shown, using:
 (4) 3/8-16 x 3/4 Carriage Bolts,
 (4) 3/8 Washers and (2) 3/8 E-Stop Nuts **per clamp**.

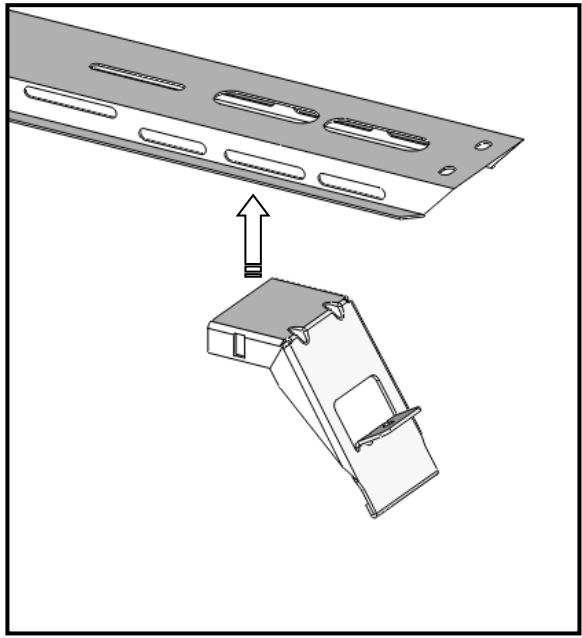
**NOTE: THE DISTANCE BETWEEN THE FEET IS MAKE SPECIFIC.
 USE THE CHART BELOW FOR FULL SIZE VAN DIMENSIONS.**



TORQUE SETTING:
 Size - 3/8 = 22-30 Ft.-Lbs.



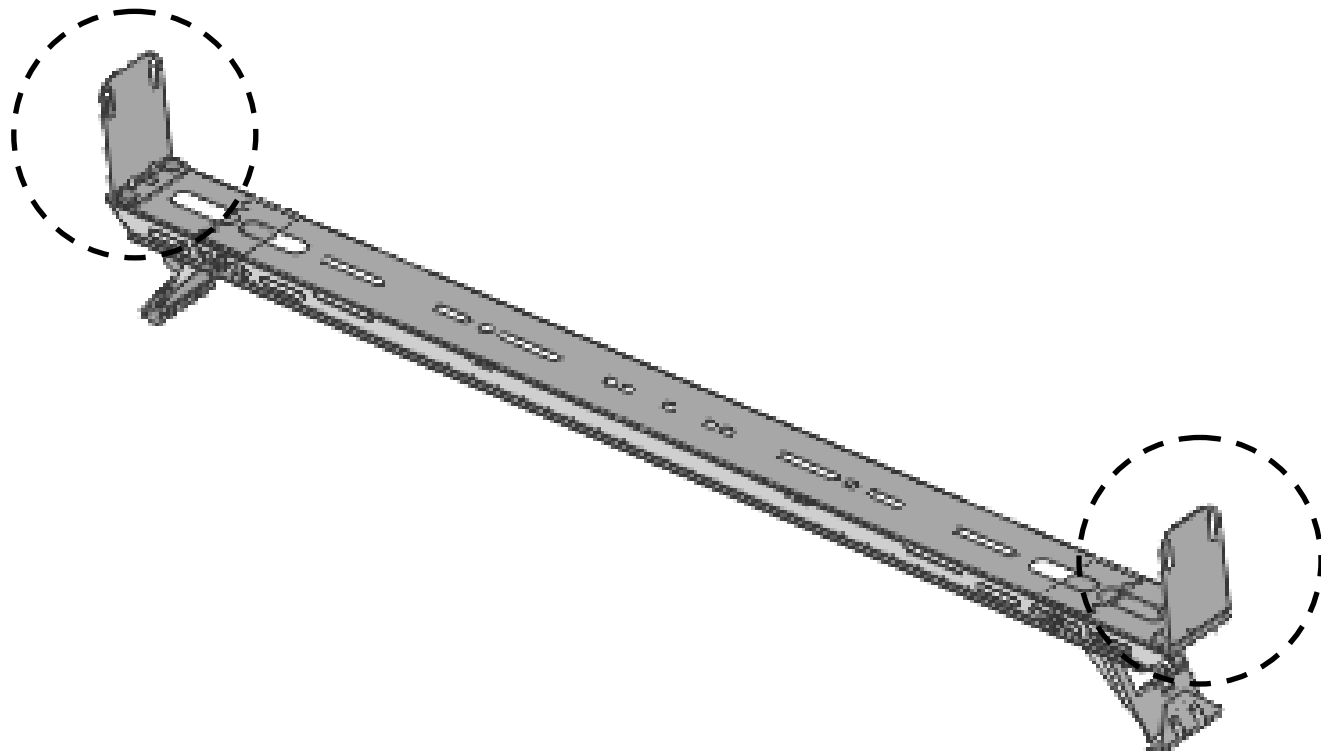
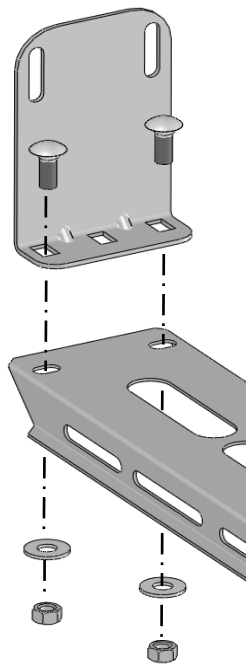
REAR CROSSBOW



REAR CROSSBOW FOOT PLACEMENT

VEHICLE	REAR FEET O. D.
Chevrolet	57-1/2"
Ford	63"

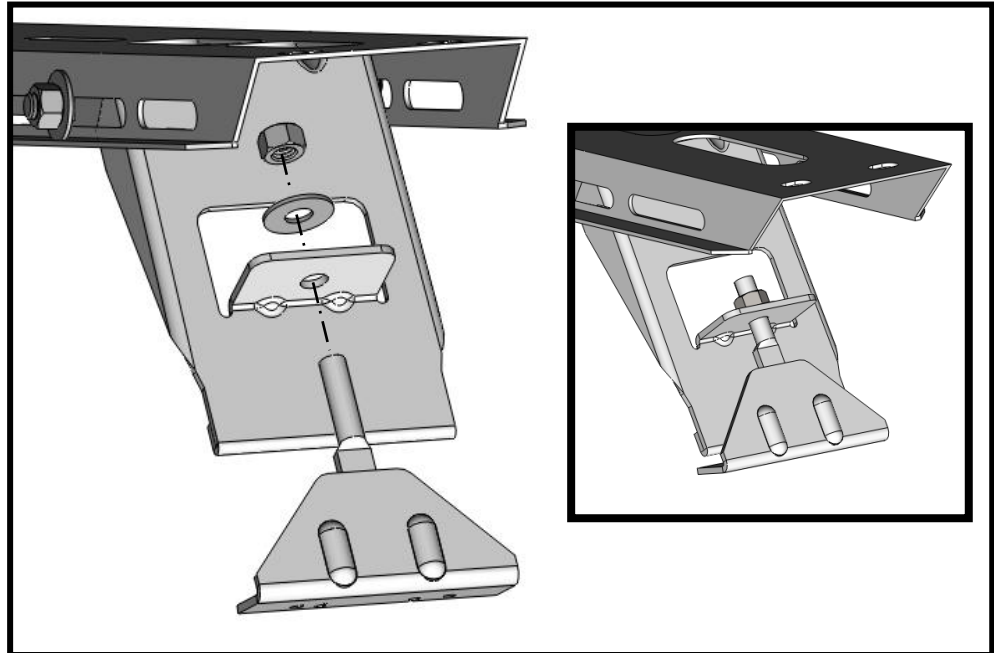
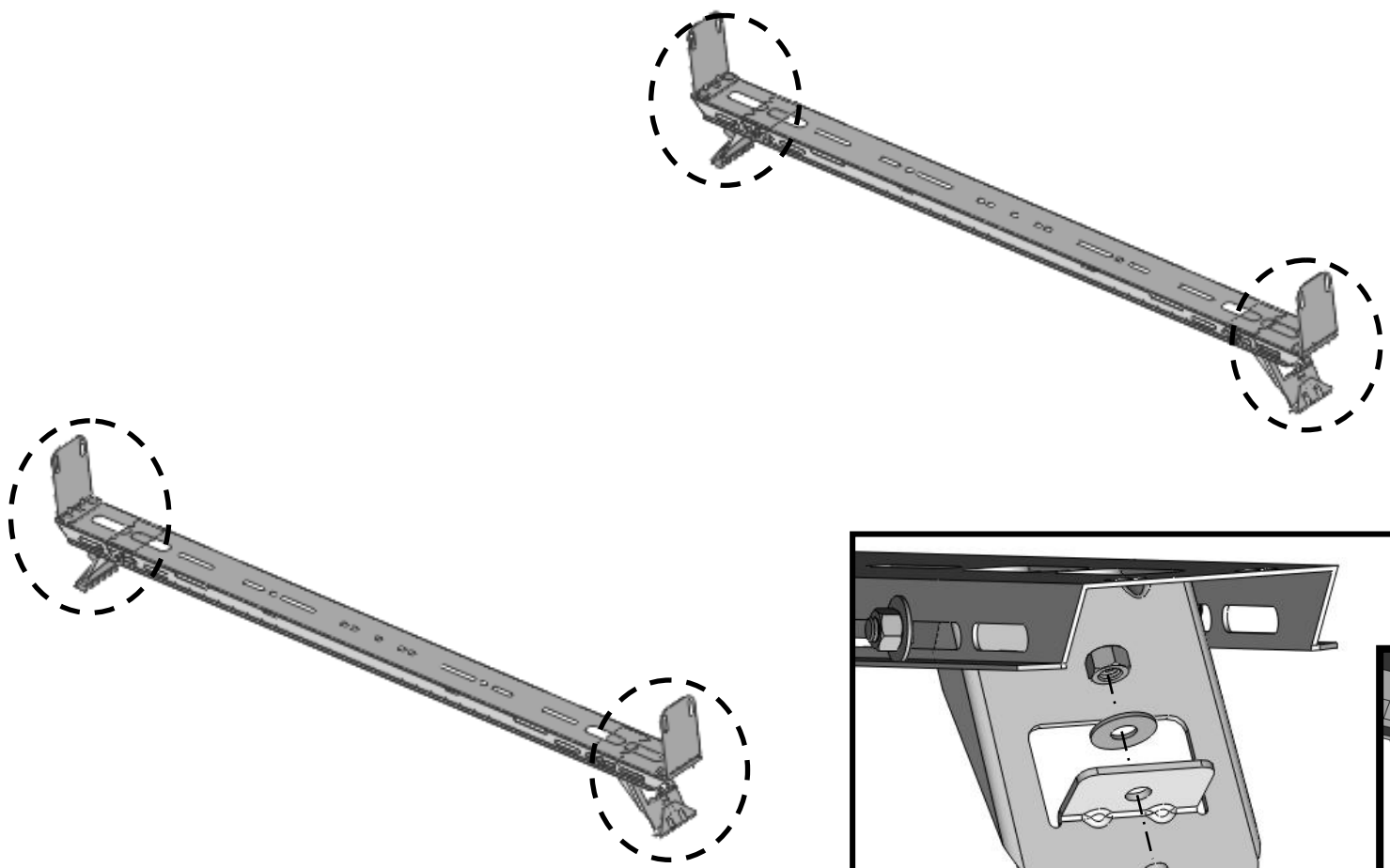
ATTACHING SIDE STOPS



Attach (2) Side Stops to each end of the
Cross Bows as shown, using:
(2) 3/8-16 x 1 Carriage Bolts
(2) 3/8 Washers
(2) 3/8 E-Stop Nuts
((PER STOP))

TORQUE SETTING:
Size - 3/8 = 22-30 Ft.-Lbs.

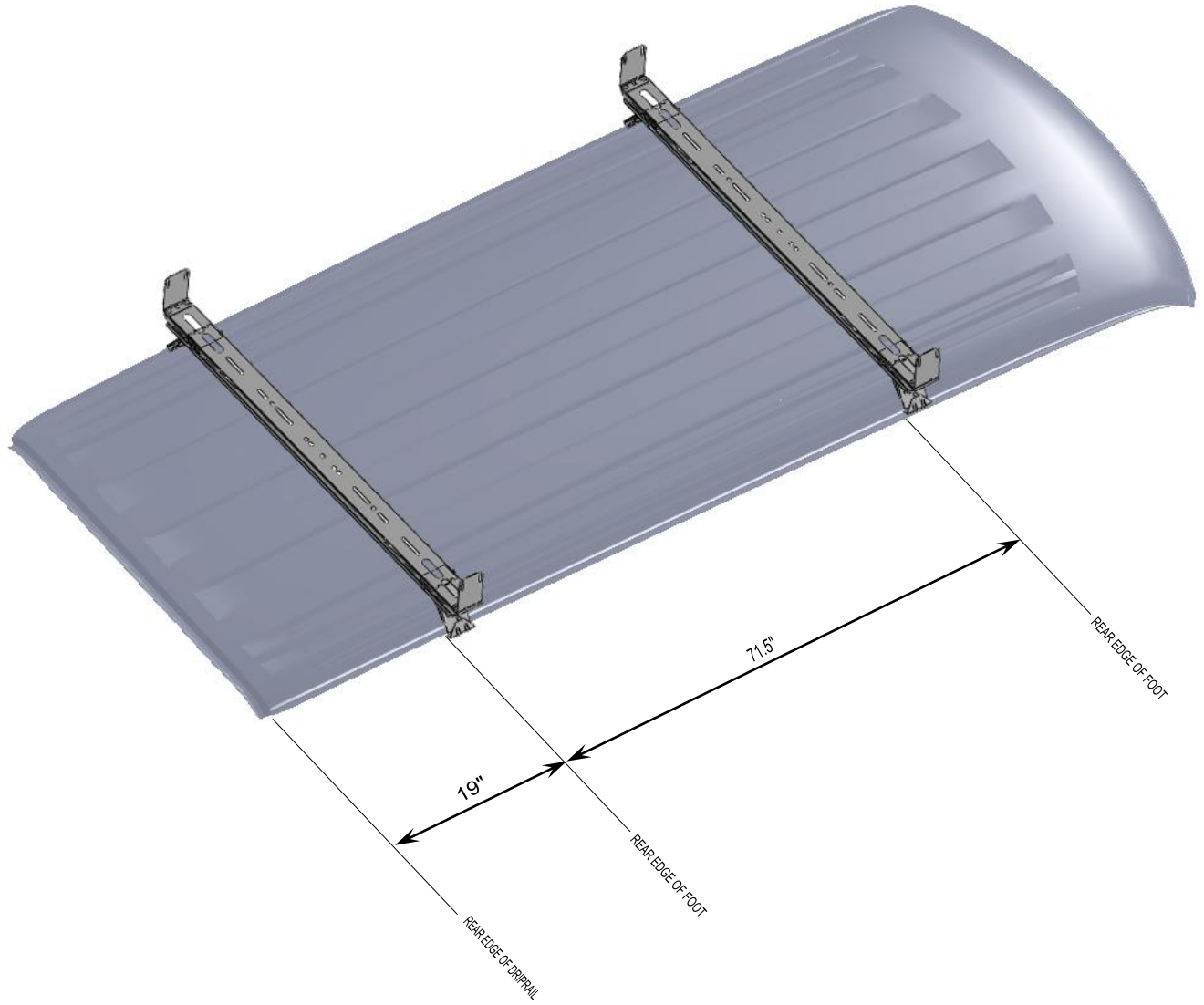
ATTACHING OUTER CLAMPS



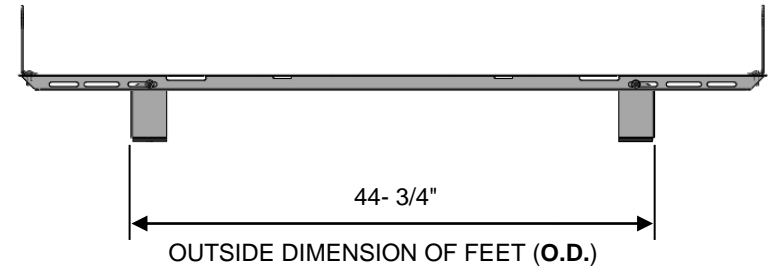
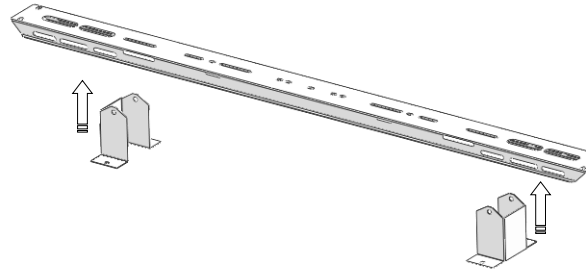
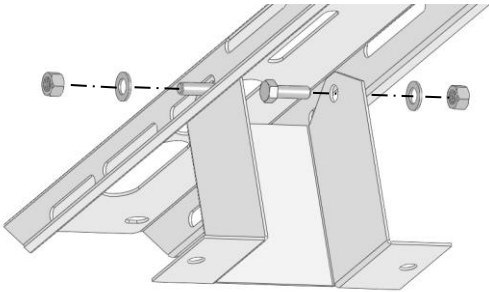
Loosely attach (4) **OUTER CLAMPS** at locations shown here using (4) 3/8 Flat Washers and (4) 3/8 E-Stop Nuts.

TORQUE SETTING:
Size - 3/8 = 22-30 Ft.-Lbs.

PLACEMENT GUIDE



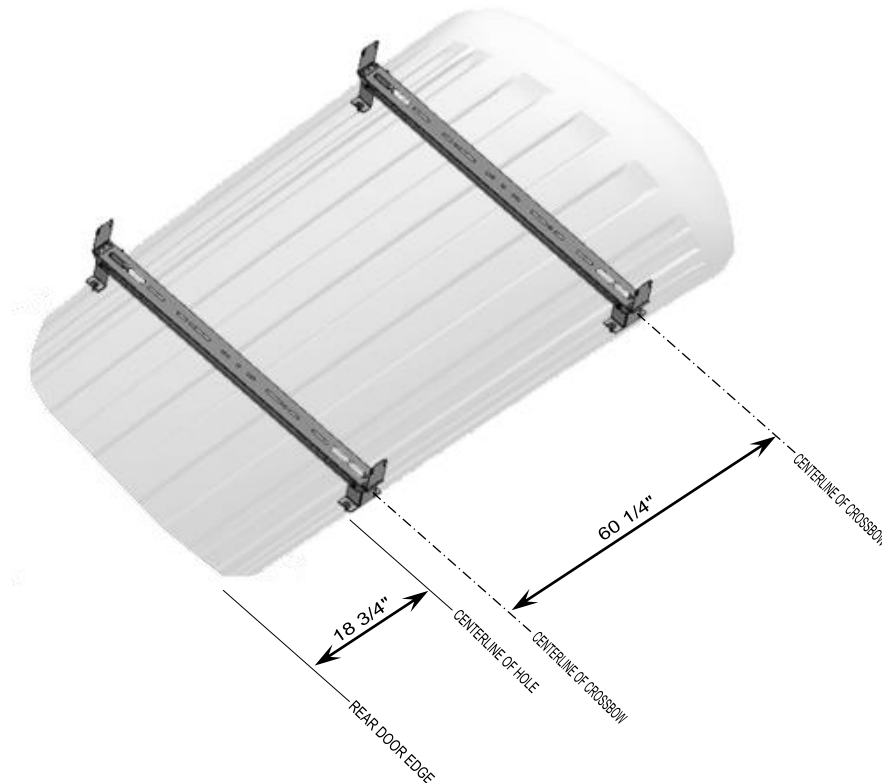
APPLICABLE TO CARAVAN INSTALLATION



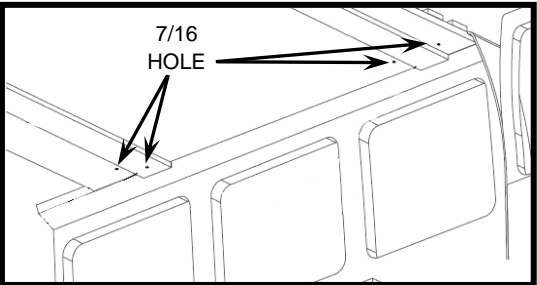
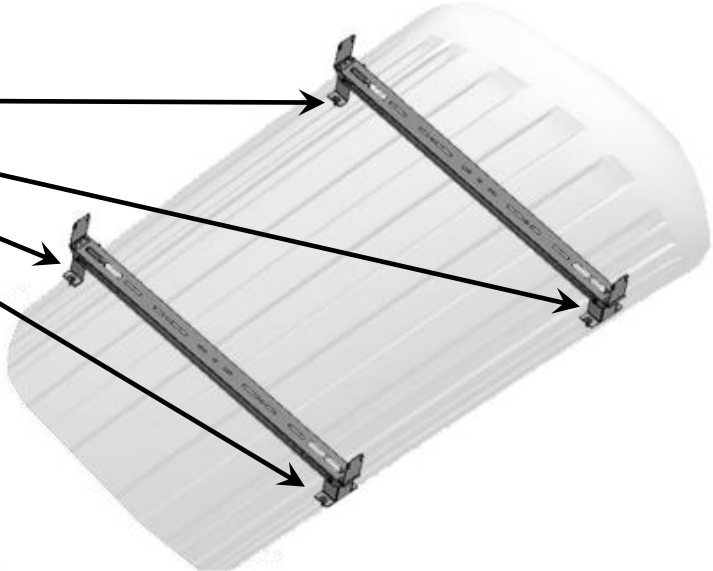
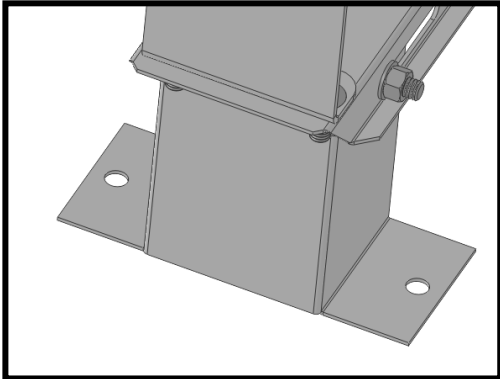
Loosely attach the (4) MOUNTING FEET to the CROSSBOWS using
(2) 3/8"-16 x 1" HWH SCREWS,
(2) 3/8" WASHERS and
(2) 3/8" E-Stop Nuts

PER MOUNTING FOOT.

DO NOT TIGHTEN YET. PLACE THE LADDER RACK ASSEMBLY ON TOP OF THE VEHICLE. ADJUST THE MOUNTING FEET IN OR OUT WHILE CENTERING THE LADDER RACK.

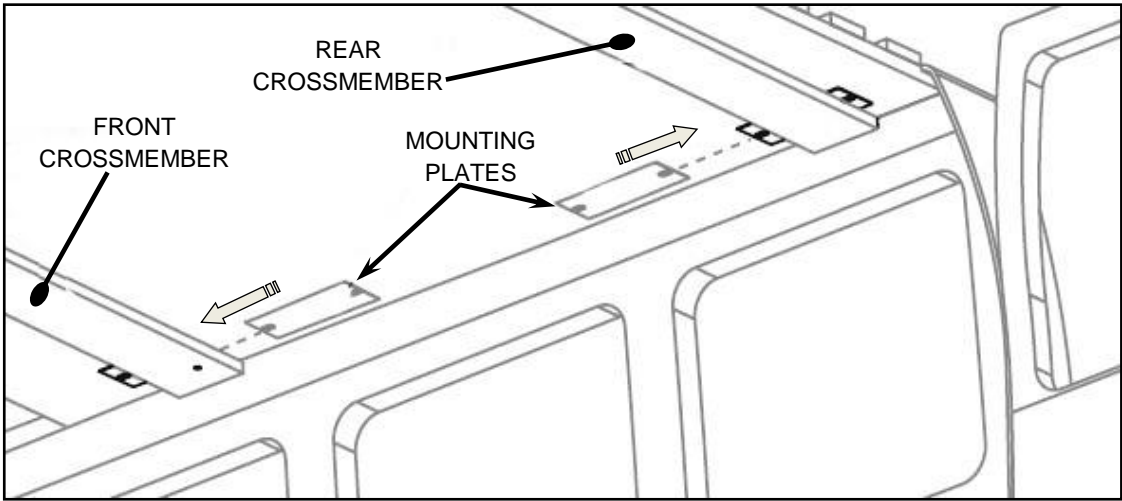


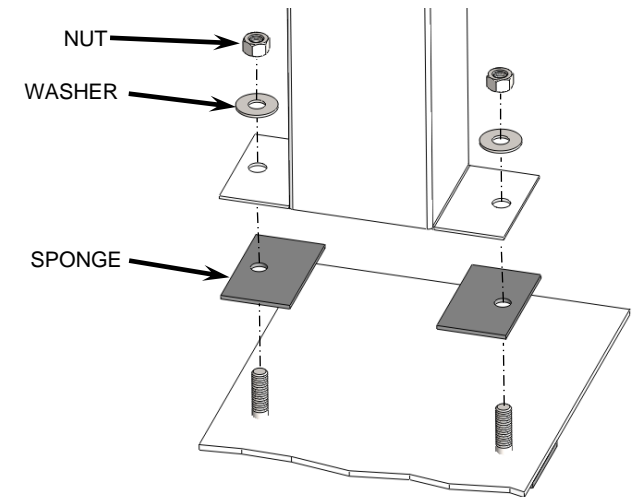
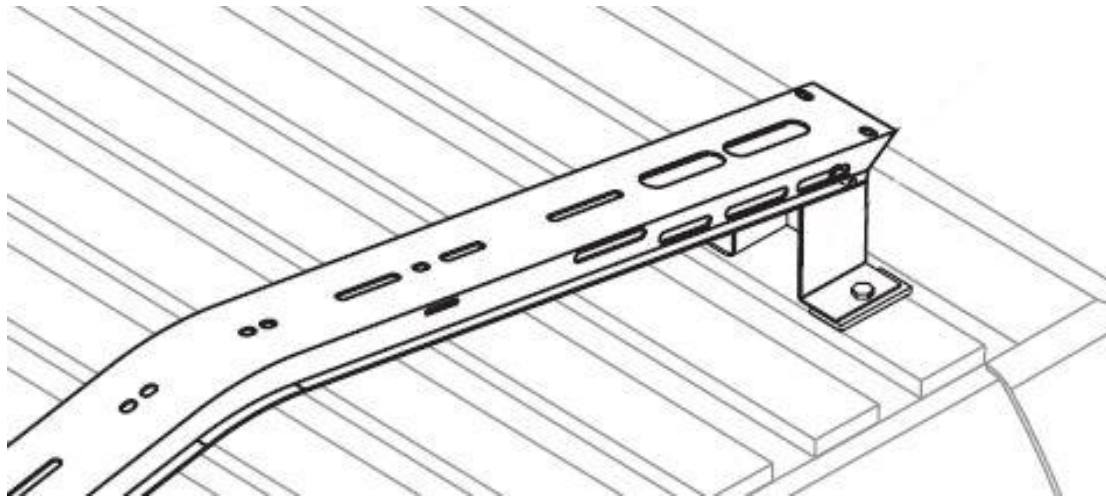
APPLICABLE TO CARAVAN INSTALLATION



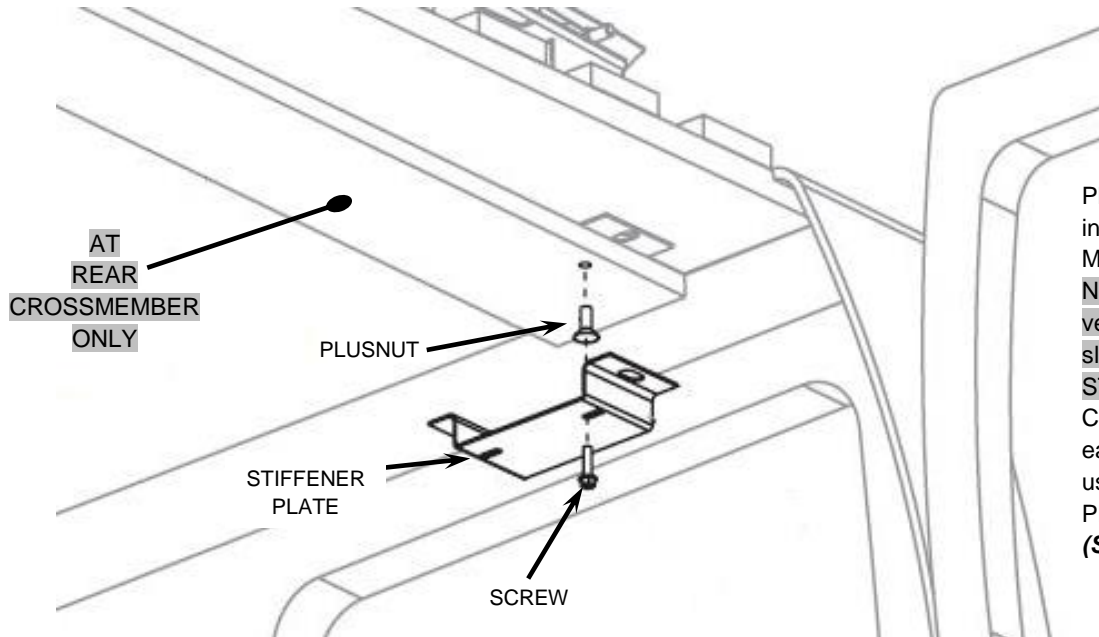
Remove the Utility Carrier to allow working space and drill eight **7/16"** diameter holes through the roof where marked. Your drilled holes should straddle the roof crossmember at the rear. At the front, one hole will fall to the front of the roof crossmember and the other hole will go through the roof crossmember.

Remove the Utility Carrier to allow working space and drill eight **7/16"** diameter holes through the roof where marked. Your drilled holes should straddle the roof crossmember at the rear. At the front, one hole will fall to the front of the roof crossmember and the other hole will go through the roof crossmember.





Reposition the Utility Carriers and place the (8) SPONGES between each of the MOUNTING FEET and the roof. Insert (8) 3/8" NEOPRENE WASHERS and (8) 3/8" x 1-1/2" SCREWS through each of the holes in the MOUNTING FEET from the top.



Place the (2) STIFFENER PLATES over the rear crossmember so that the holes in the STIFFENER PLATE line up with the holes in the MOUNTING PLATES. **Do not attach to the MOUNTING PLATE yet.**

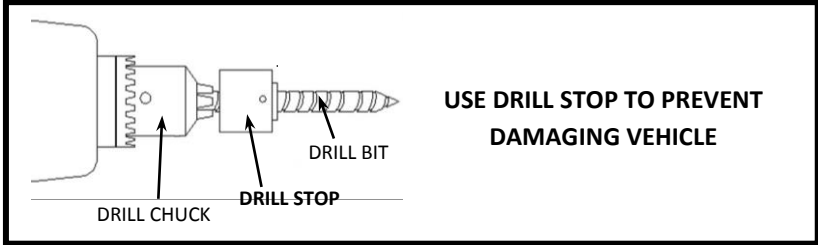
Note: The slots in the STIFFENER PLATES should be offset to the center of the vehicle. Mark through the rearmost slot in each STIFFENER PLATE onto the crossmember. Remove the STIFFENER PLATE to allow for drilling.

Center punch the marks and drill a 3/8" diameter hole into the crossmember on each side. Install (2) PLUSNUTS into 3/8" pilot holes using (1) 1/4"-20 x 1" HWH SCREW. Remove SCREW after installation of PLUSNUT.

(See next page for PlusNut info)

BEFORE DRILLING

STOP CHECK ALL MOUNTING LOCATIONS TO PREVENT PENETRATING **STOP**
GAS LINES, GAS TANKS, BRAKE LINES, WIRING OR ANY OTHER STRUCTURE OF VEHICLE



The Plusnut® is pre-bulbed for easy installation

1

The Plusnut® is pre-assembled with hex cap and hex bolt. Then it is inserted into a pre-drilled hole

2

As the bolt is tightened, the Plusnut® upsets and provides outstanding blind fastening holding power

3

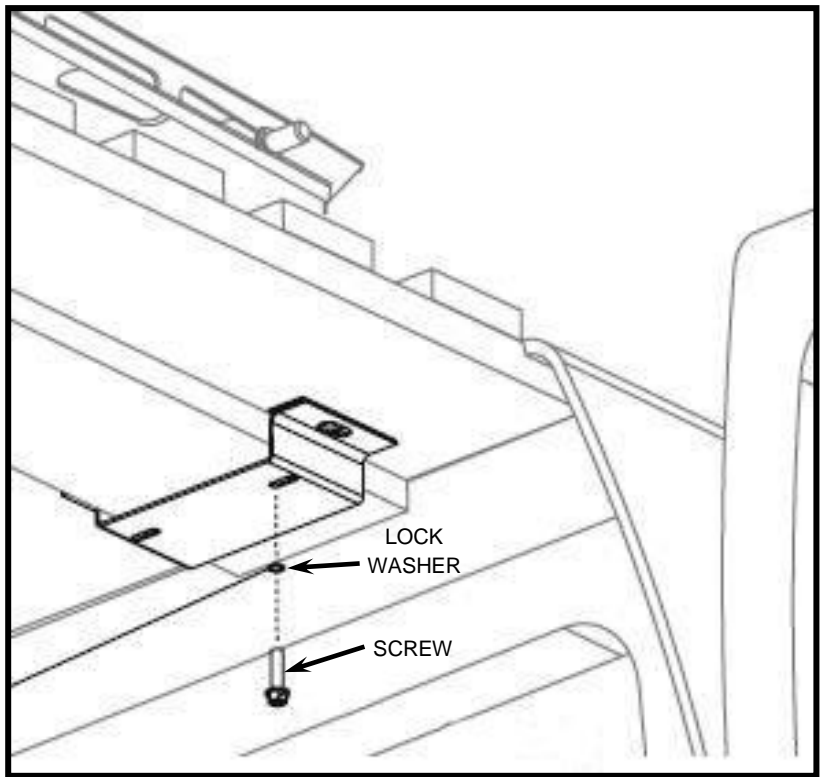
C-500 tool tightens bolt thru hex head cap into Plusnut® A ratchet, open-end or closed –end wrench can be used.

4

Fully upset Plusnut® provides a reliable nut plate for fastening.

5

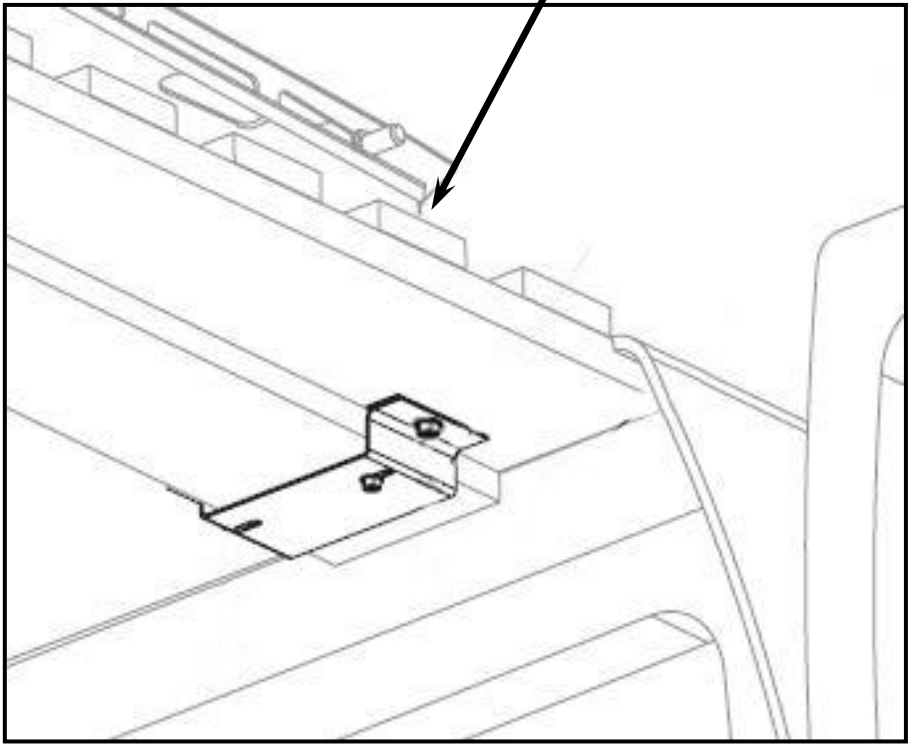
APPLICABLE TO CARAVAN INSTALLATION



Replace the STIFFENER PLATES over the MOUNTING PLATES and secure with
(2) 1/4" SPLIT LOCK WASHER and
(2) 1/4"-20 X 1" HWH SCREW

WASHER
← NUT

Place (8) 3/8" WASHERS and (8) 3/8" E-Stop Nuts on all
3/8" x 1-1/2" SCREWS
and tighten to a recommended torque of 30ft-lbs.
**FAILURE TO PERFORM THIS STEP
COULD RESULT IN VEHICLE DAMAGE.**



3 Year / 36,000 Mile Limited Warranty

MASTERACK® commercial van and pickup equipment is warranted to be from defects in material and workmanship, under normal use and service for a period of one (1) year from date of purchase. Factory installations, and products installed in new vehicles by an authorized MASTERACK® installer are warranted for **(3) years or 36,000 miles (60,000 KM)**, whichever comes first. **This warranty covers only repairs, or at MASTERACKS' discretion, replacement to correct any defects related to materials and workmanship.**

This warranty does not apply to:

- Additions, alterations, or installations made by persons including dealers, other than MASTERACK® and its authorized distributors, made in accordance with MASTERACK® specifications and / or instructions, nor to defects arising out of attribute to such additions, alterations or installations.
- Defects attributable to abuse or misuse of the product, misapplication, negligent accident, modification or tampering.
- Damage resulting from failure to promptly notify and comply with the instructions of the dealer or manufacturer about defects when noted.
- Any incidental or consequential damages connected with a defect, either while under warranty or afterward, including the cost of a rental truck and / or loss or revenue.

THE WARRANTY IS THE ONLY WARRANTY APPLICABLE TO A MASTERACK PRODUCT PURCHASE. ALL OTHER WARRANTIES, EXPRESSED OR IMPLIED, INCLUDING BUT NOT LIMITED TO, THE IMPLIED WARRANTIES OR MERCHANTABILITY AND FITNESS FOR A PARTICULAR PURPOSE ARE DISCLAIMED. MASTERACK® AND ITS SUBSIDIARIES, SHALL NOT BE LIABLE FOR ANY INCIDENTAL OR CONSEQUENTIAL DAMAGES ARISING OUT OF ANY BREACH OF THIS WARRANTY, NOR SHALL THE DAMAGES EXCEED THE RETURN AMOUNT OF THE PURCHASE PRICE PAID BY THE ORIGINAL PURCHASER.

Warranty claims must be submitted to either your sales representative or a customer service representative at **1-800-222-8785**. The vehicle must be delivered to the original MASTERACK® authorized dealer for inspection and any warranty service. Any warranty service to be performed by a source other than MASTERACK® location or an approved MASTERACK® distributor must be authorized in advance of the repairs by the MASTERACK® Warranty Administrator and a purchase order issued by MASTERACK® in advance or repairs for the authorized repairs.