

## ASSEMBLY / INSTALLATION INSTRUCTIONS

### Recommended Tools



AIR / HAND RATCHET



7/16" SOCKET

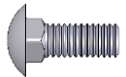


7/16" COMBO WRENCH

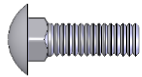


TORQUE WRENCH

### Hardware



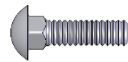
3/8-16 x 3/4 SST CARRIAGE BOLT



3/8-16 x 1 SST CARRIAGE BOLT



5/16-18 X 1 1/2 SST HEX HEAD SCREW



5/16 x 1 1/4 CARRIAGE BOLT



5/16-18 X 1 3/4 SST HEX HEAD SCREW



5/16-18 X 2 HEX HEAD SCREW



5/16 SST EXTERNAL TOOTH WASHER



1/4 ZINC Lock Washer



3/8 SST FLAT WASHER



5/16 SST FLAT WASHER



5/16 SST HEX NUT



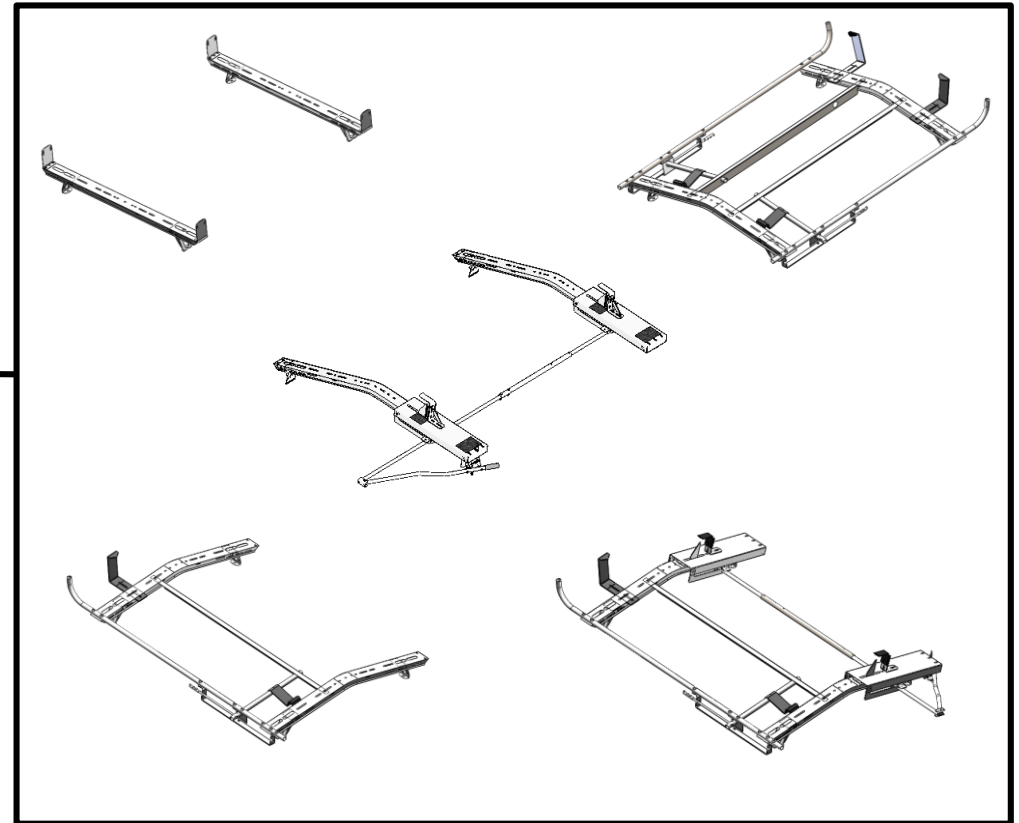
3/8 SST E-STOP NUT



5/16 SST E-STOP NUT

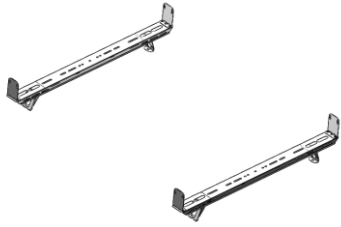


1/4 ID ZINC FLAT WASHER

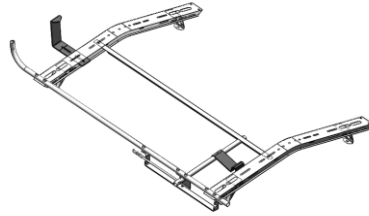


## G2 TRANSIT CONNECT LADDER RACKS

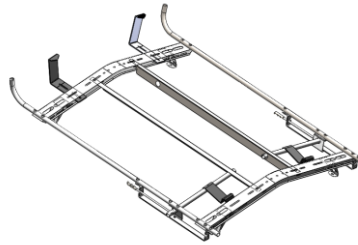
**Review this document to ensure that all parts and hardware are included in the package, before installation. In the event that parts are missing please contact Masterack @ 1-800-222-8785, to re-order missing parts.**



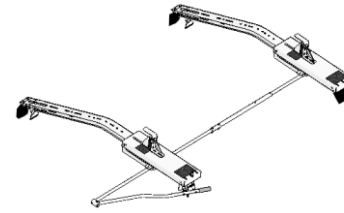
**UTILITY CARRIER**



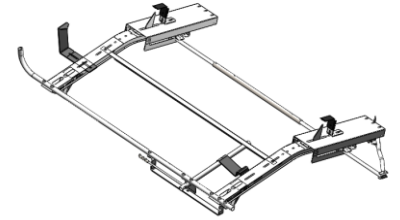
**SINGLE LOCKING LADDER RACK**



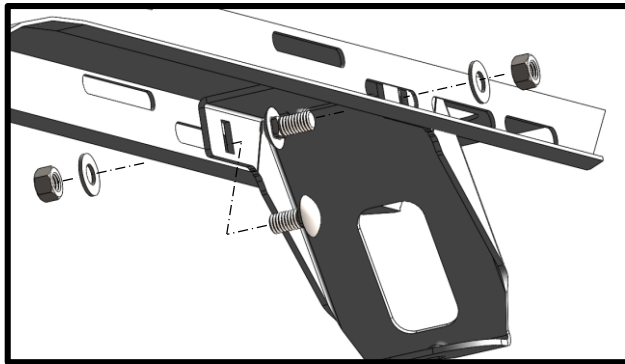
**DOUBLE LOCKING LADDER RACK**



**SINGLE SLIDE-DOWN LADDER RACK**



**COMBO LADDER RACK**



**ATTACH MOUTING FEET AS SHOWN USING:**

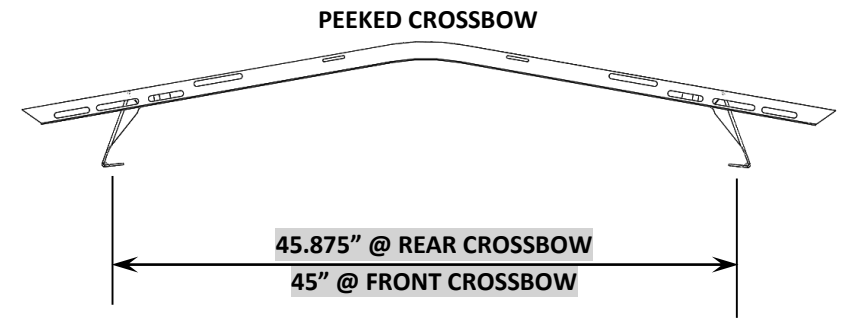
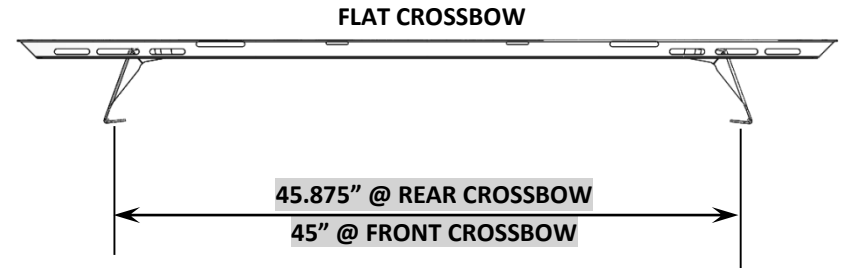
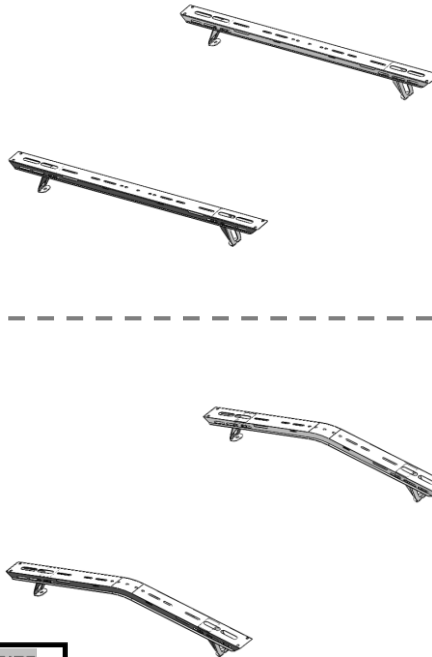
- (2) 3/8-16 x 3/4 SST Carriage Bolts
- (2) 3/8 SST Washers
- (2) 3/8 SST E-Stop Nuts

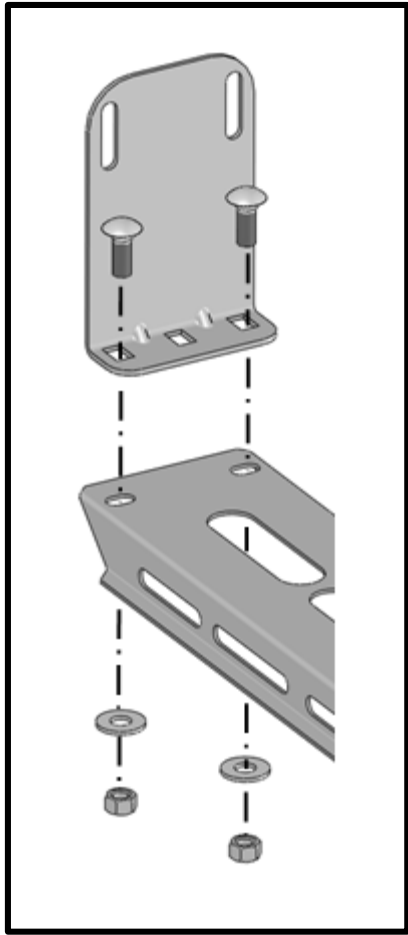
**PER FOOT**

**TORQUE SETTING:**

Size - 3/8 = 22-30 Ft.-Lbs.

**APPLY ANTI-SEIZE TO ALL THREADS**



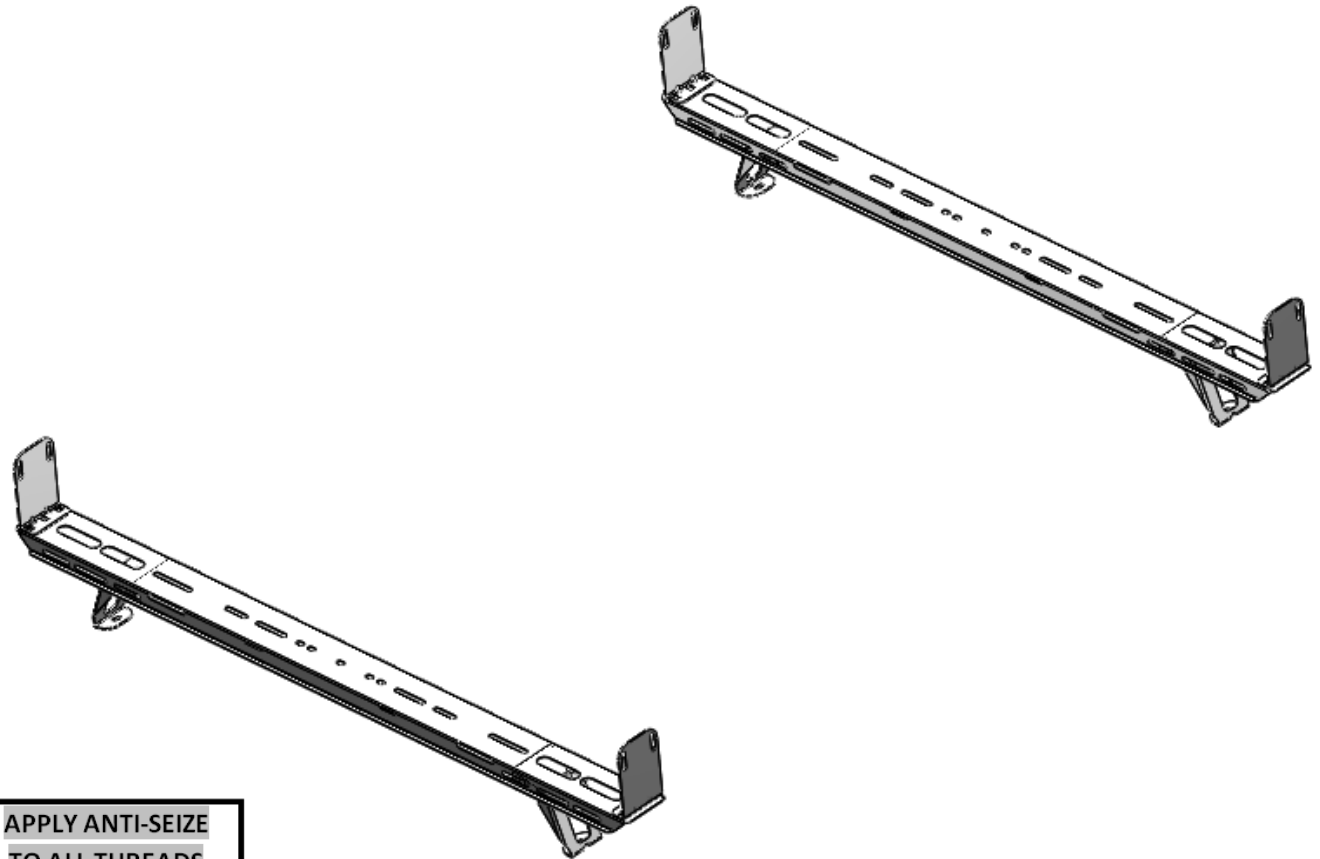


**ATTACH SIDE STOPS AS SHOWN USING:**

- (2) 3/8-16 x 1 SST Carriage Bolts
- (2) 3/8 SST Washers
- (2) 3/8 SST E-Stop Nuts

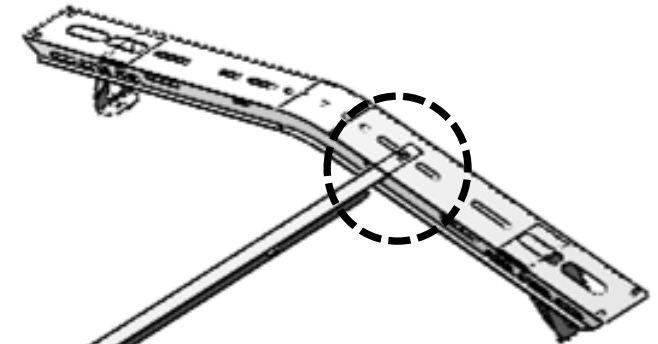
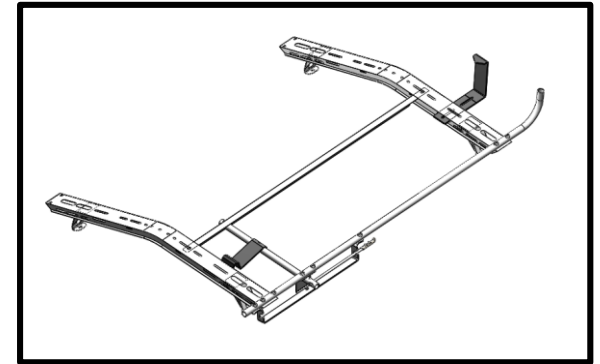
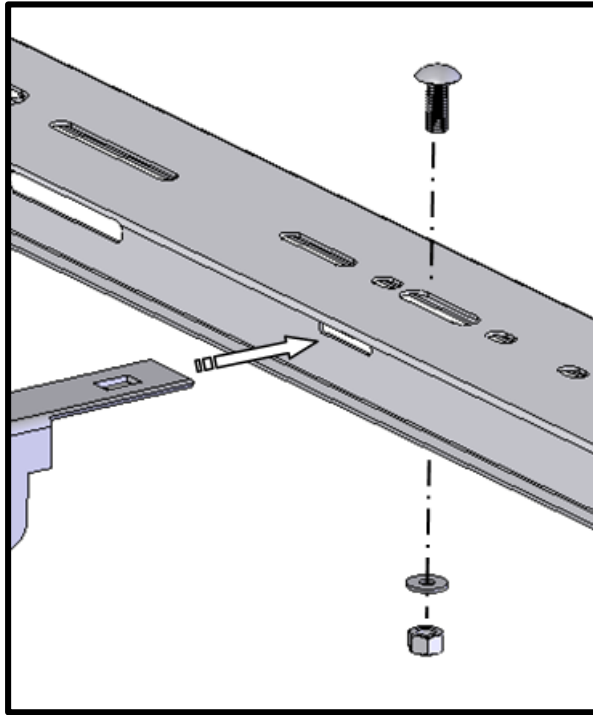
**PER SIDE STOP**

**TORQUE SETTING:**  
Size - 3/8 = 22-30 Ft.-Lbs.



**APPLY ANTI-SEIZE  
TO ALL THREADS**





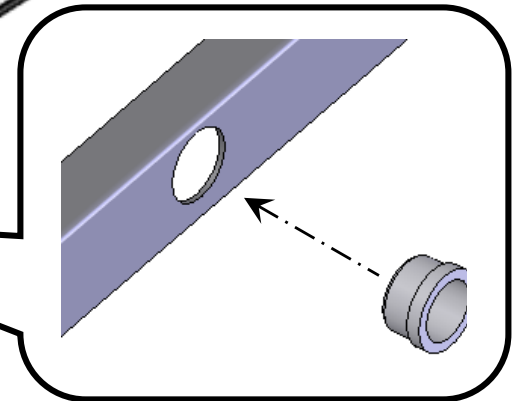
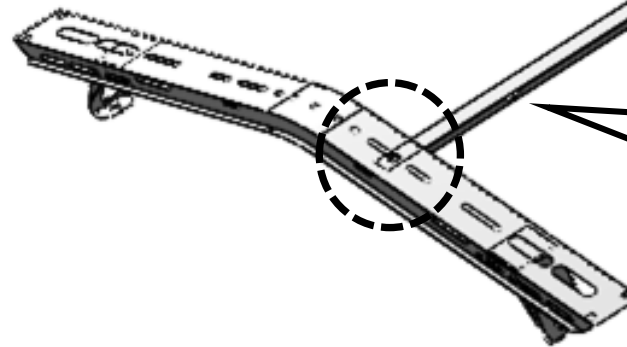
**INSERT EACH END OF THE INBOARD RAIL, INTO THE SLOTS IN THE FRONT AND REAR CROSSBOWS AS SHOWN and SECURE USING:**

- (2) 3/8-16 x 1 SST Carriage Bolts
- (2) 3/8 SST Washers
- (2) 3/8 SST E-Stop Nuts

**TORQUE SETTING:**  
Size - 3/8 = 22-30 Ft.-Lbs.

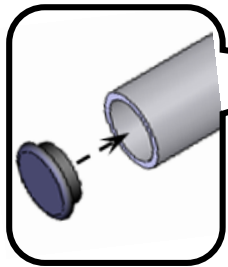
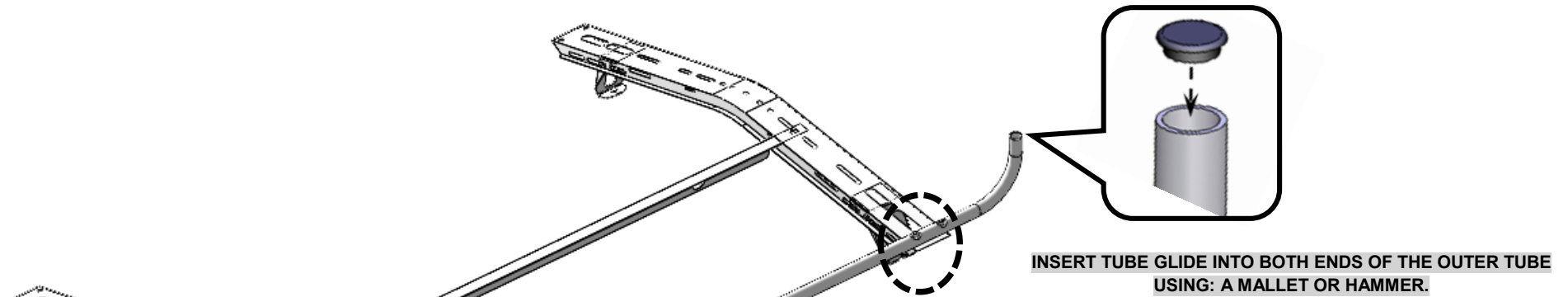


INBOARD RAIL



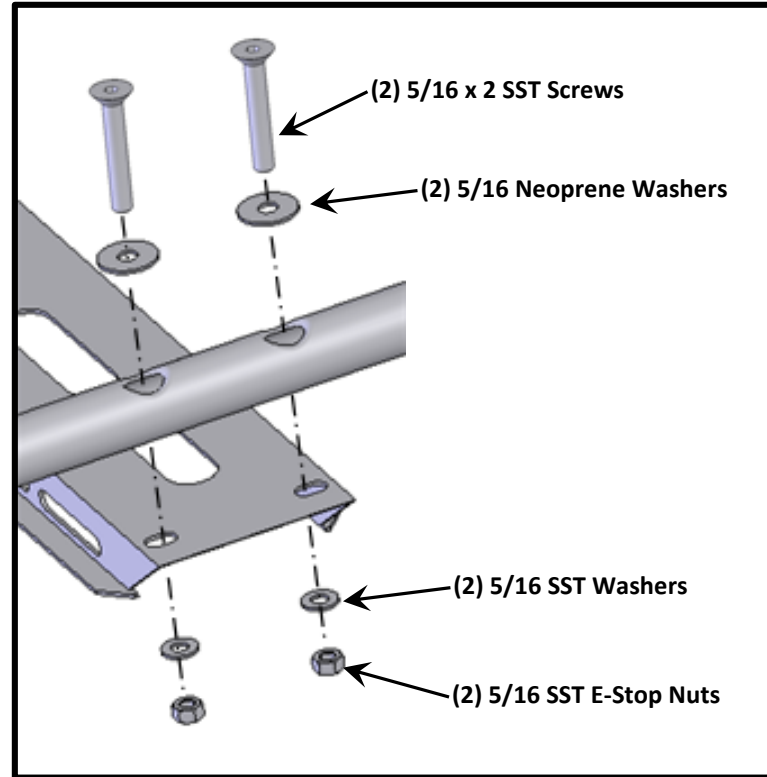
**INSERT THE BEARING INTO THE PRE-PUNCHED HOLE IN THE INBOARD RAIL.**

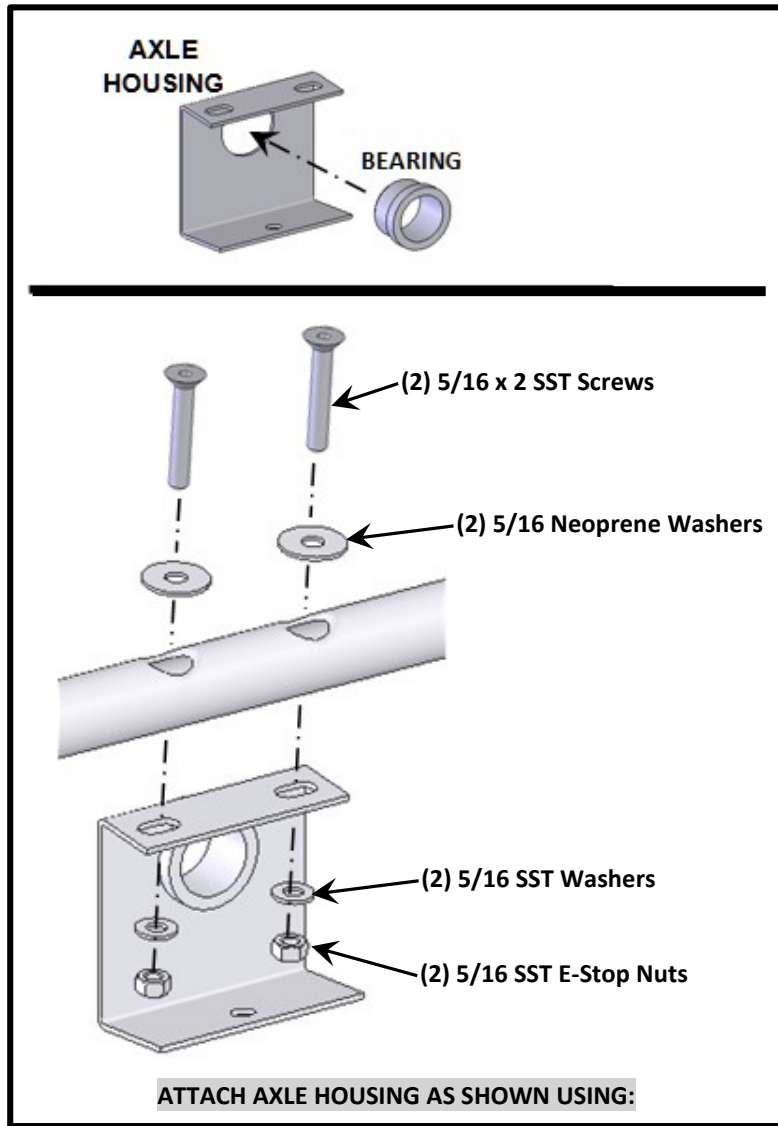
# SINGLE LOCK DOWN LADDER



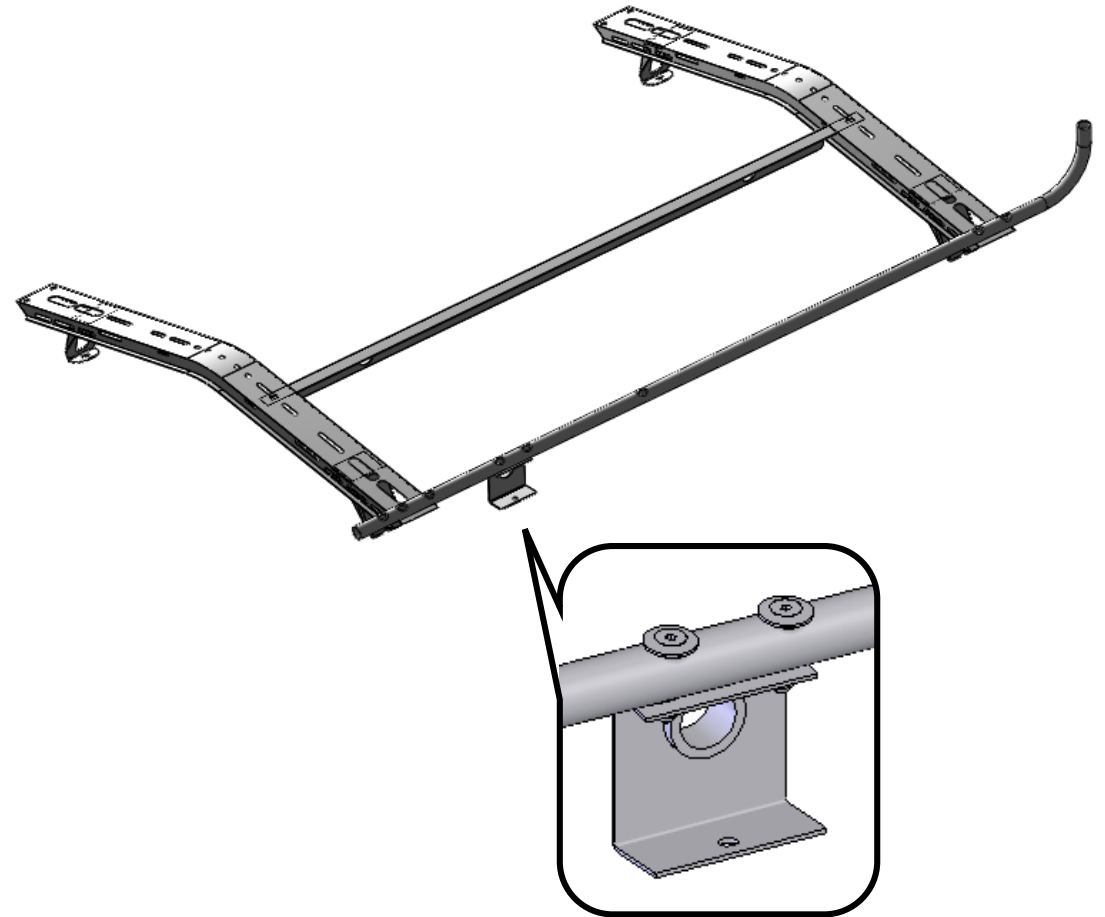
**ATTACH OUTER TUBE AS SHOWN and SECURE USING:**

**TORQUE SETTING:**  
Size - 5/16 = 12-17 Ft.-Lbs.

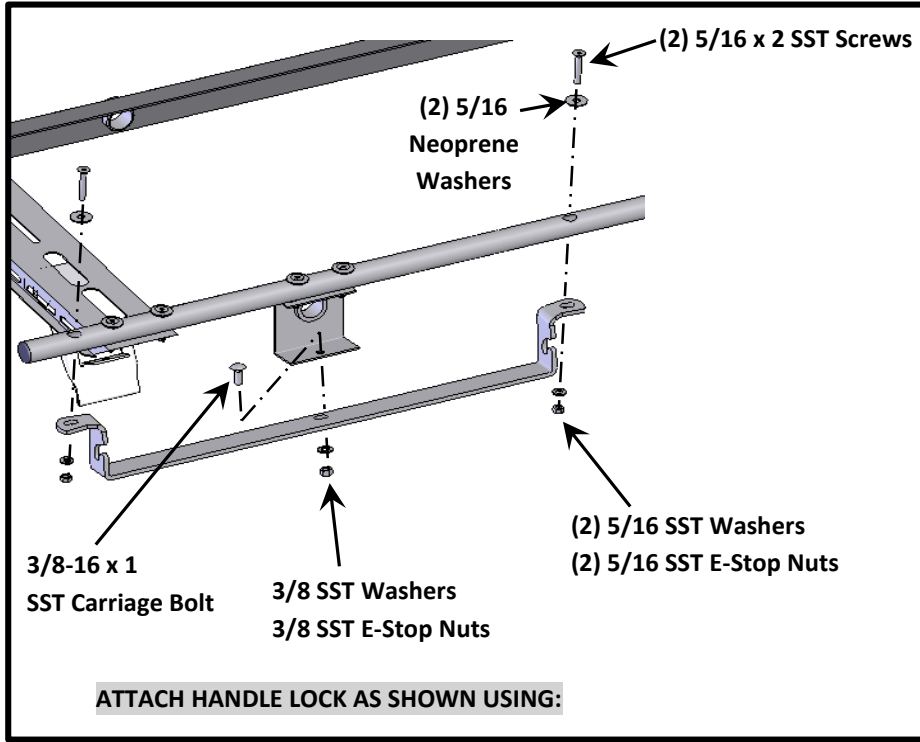




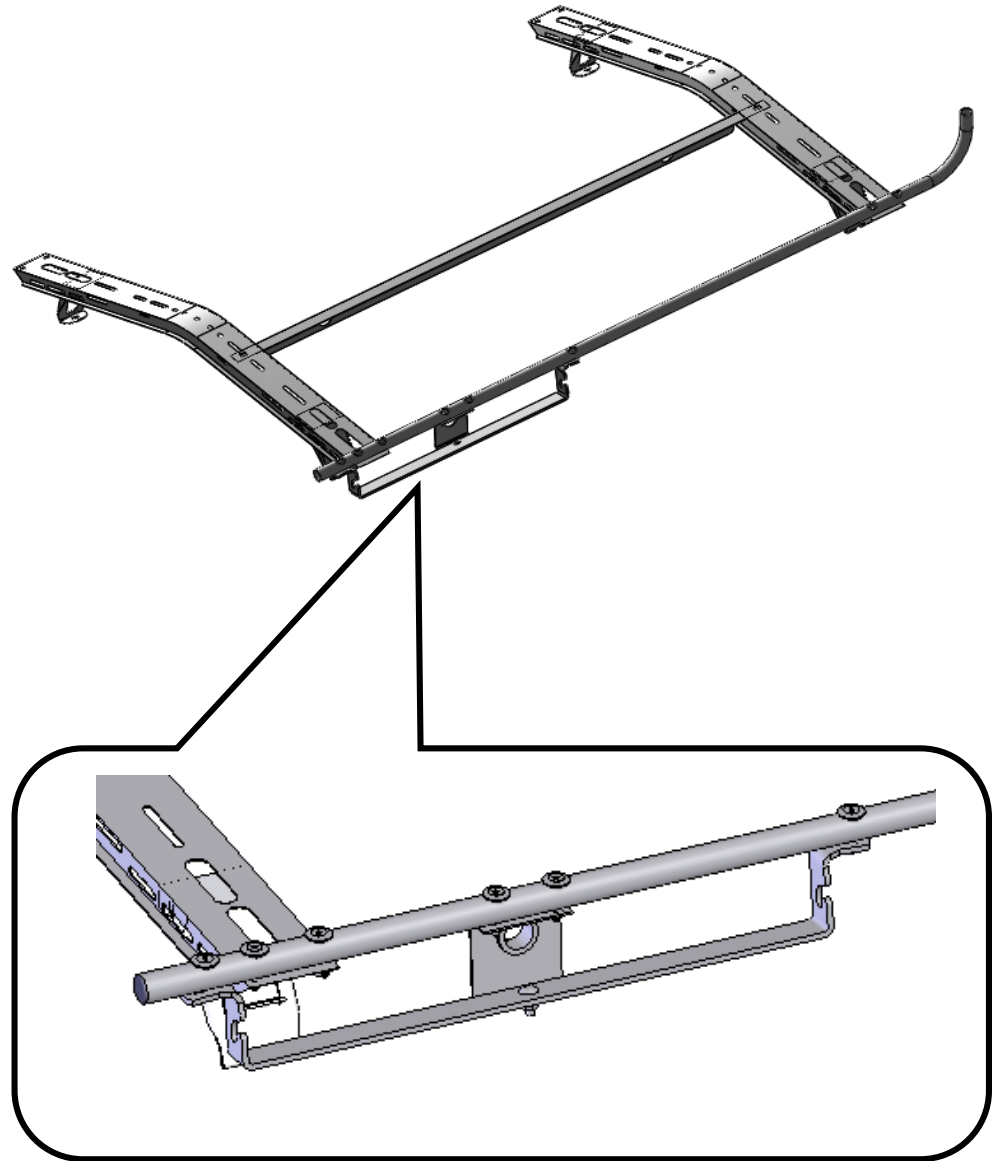
**TORQUE SETTING:**  
Size - 5/16 = 12-17 Ft.-Lbs.

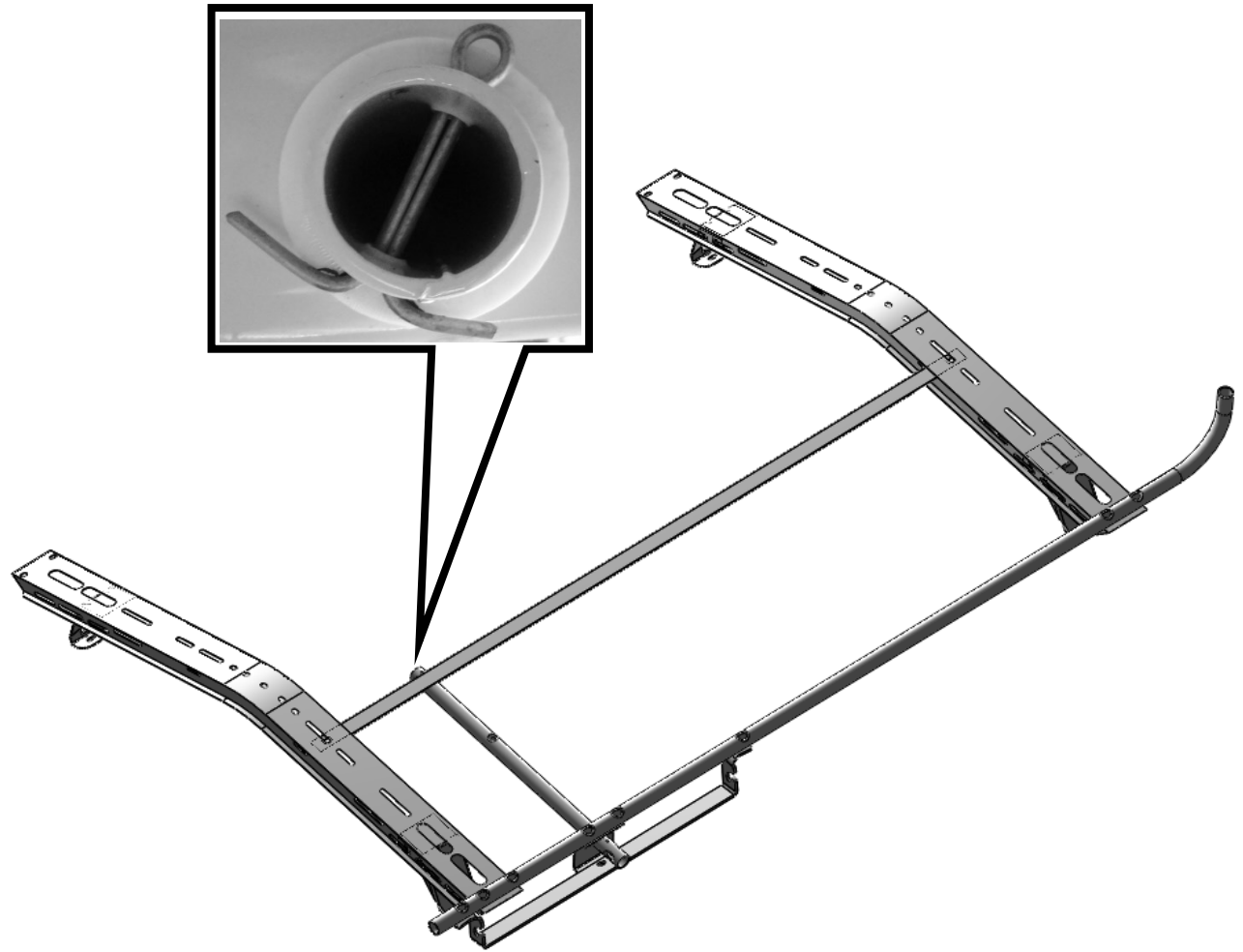
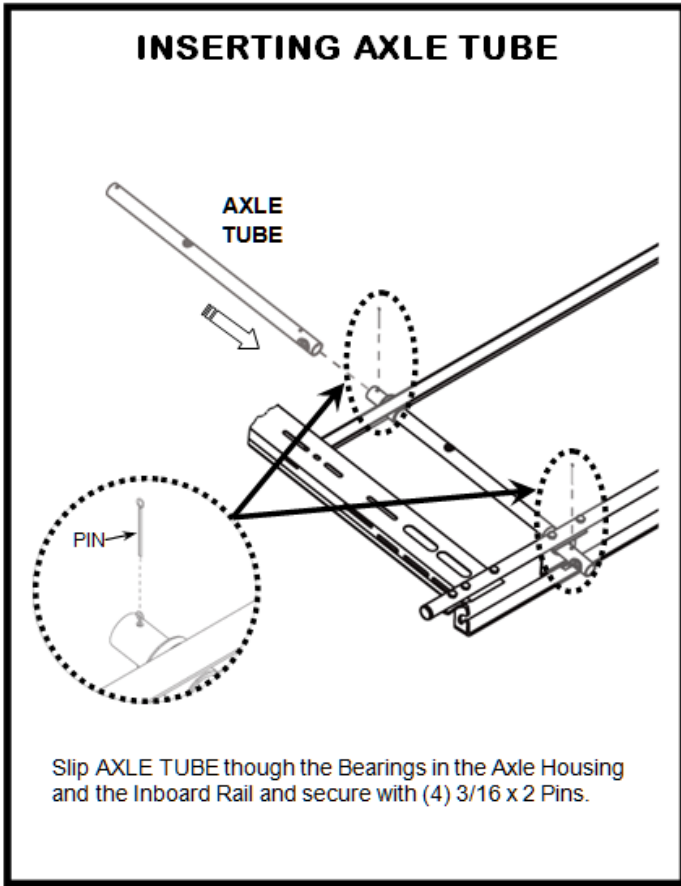


# SINGLE LOCK DOWN LADDER



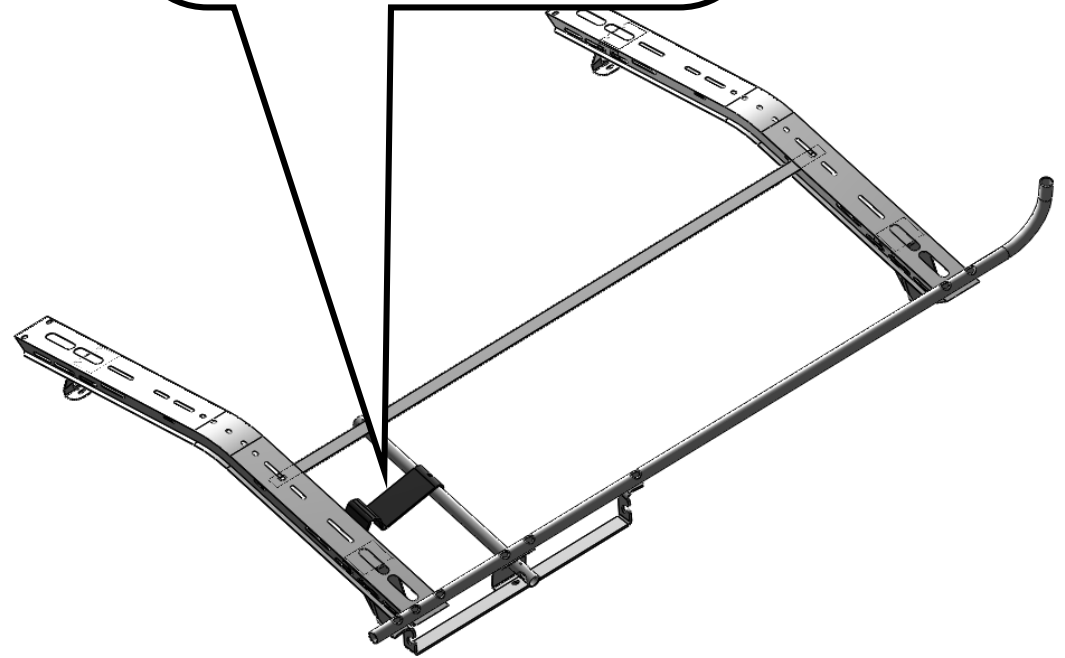
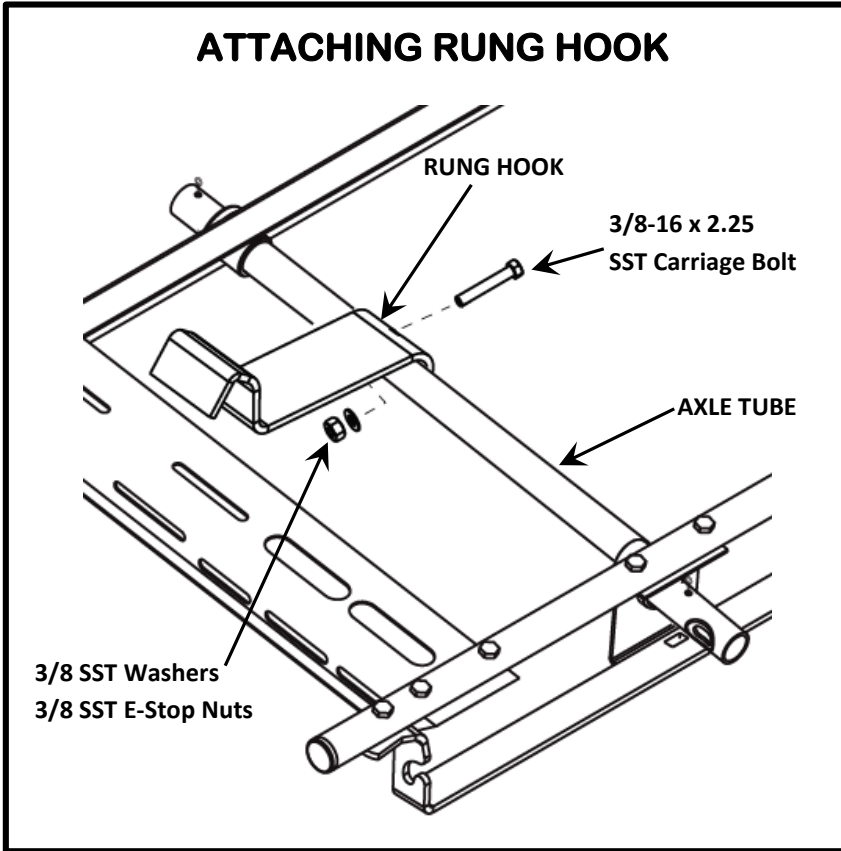
**TORQUE SETTING:**  
Size - 5/16 = 12-17 Ft.-Lbs.  
Size - 3/8 = 22-30 Ft.-Lbs.







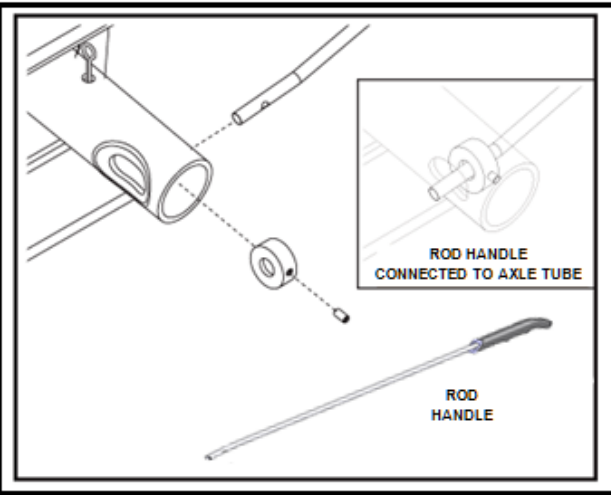
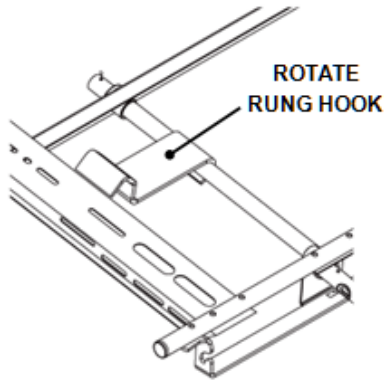
**ATTACHING RUNG HOOK**



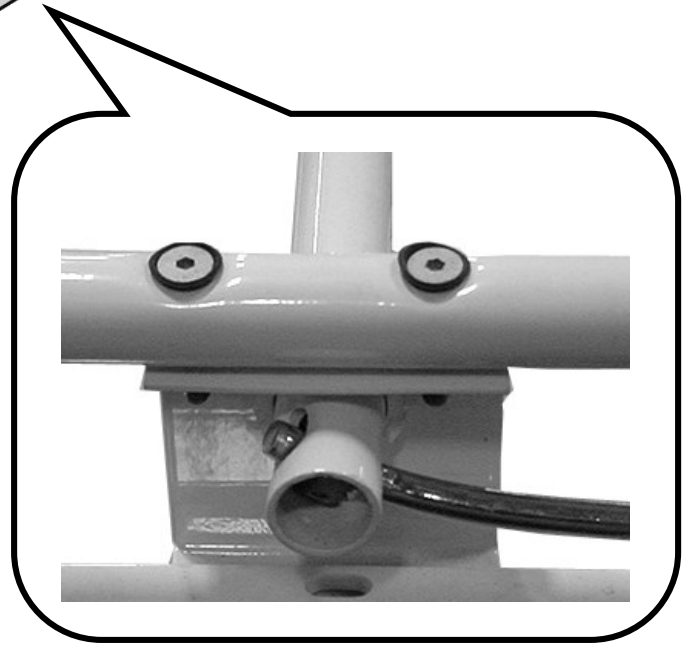
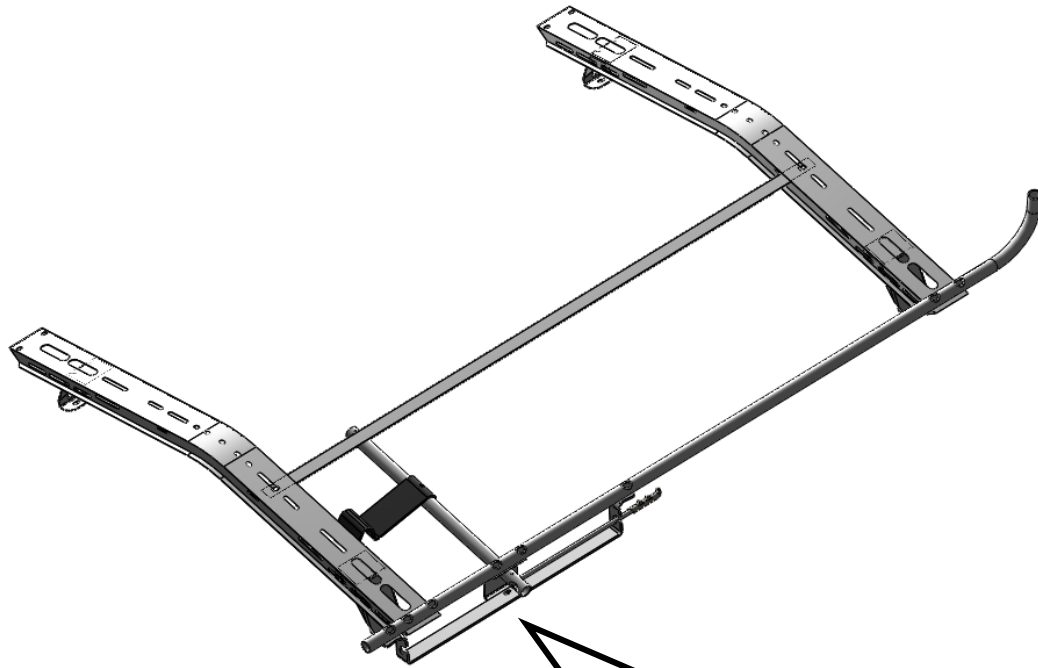
**TORQUE SETTING:**  
Size - 3/8 = 22-30 Ft.-Lbs.



**ATTACHING ROD HANDLE**

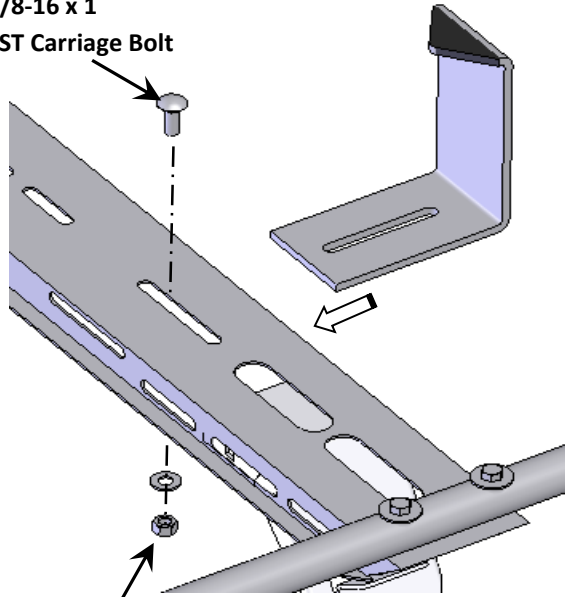


Rotate the RUNG HOOK until it rests on the rear crossbow as shown. Insert (2) 3/8 SPACER into Axle Tube and orient so that the hole in the Spacer is facing outward. Once the RUNG HOOK is positioned properly, insert the ROD HANDLE through the Axle Tube and the Spacer so that it seats in the predrilled area in the Rod Handle. The Rod Handle should now lock into the forward lock position on the Handle Lock.



**ATTACHING FRONT STOP**

3/8-16 x 1  
SST Carriage Bolt

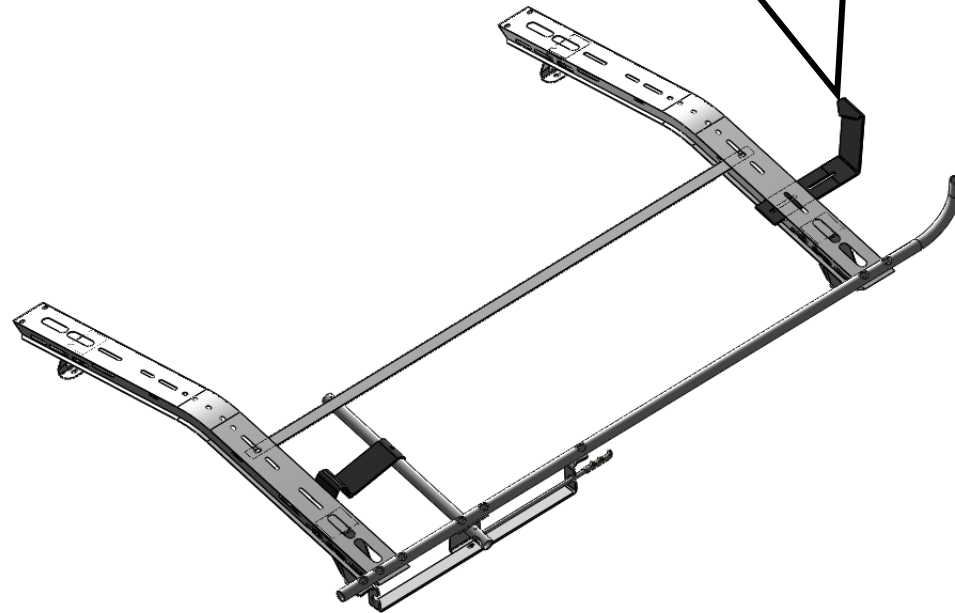
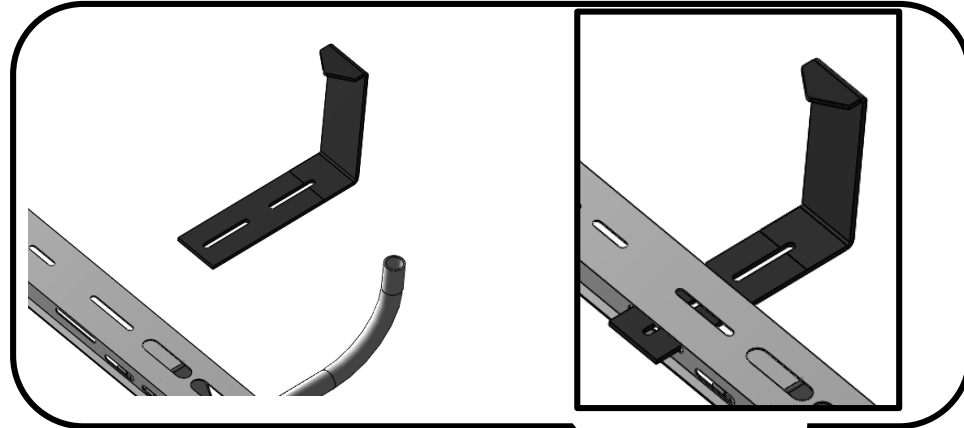


3/8 SST Washers  
3/8 SST E-Stop Nuts

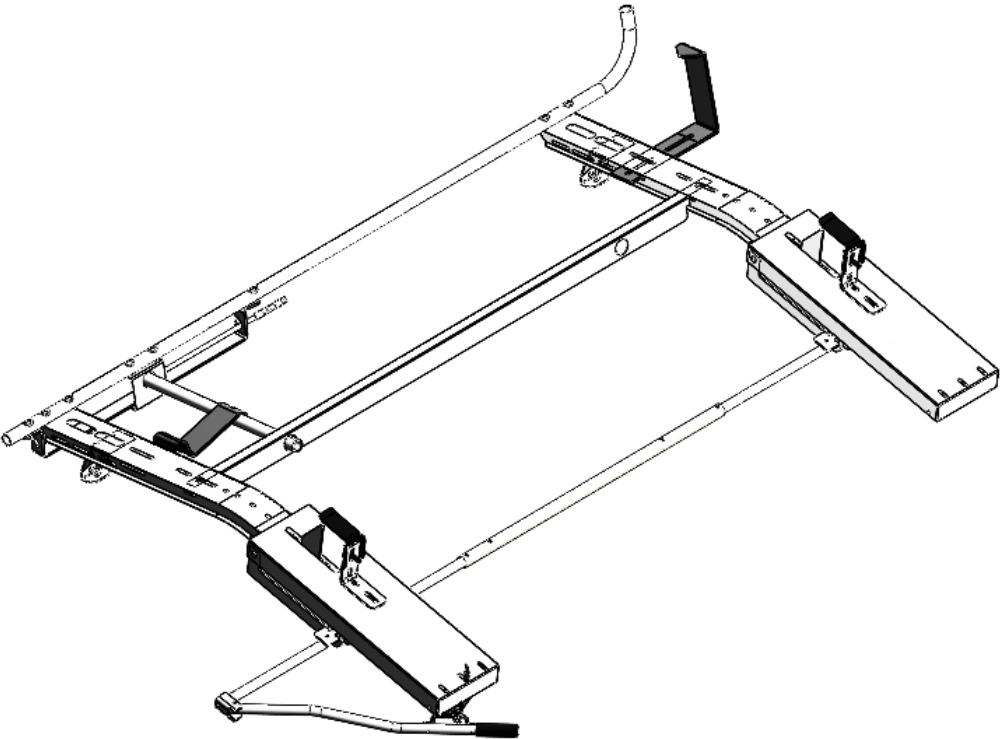
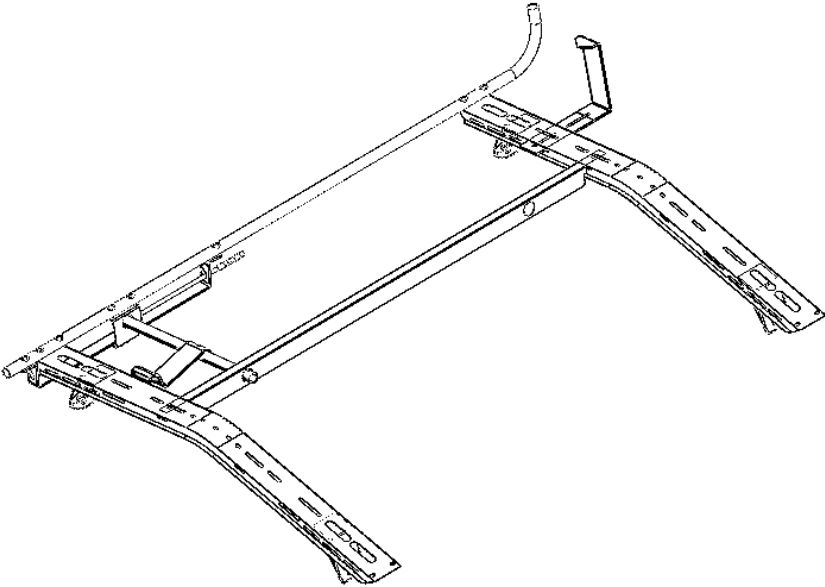
**TORQUE SETTING:**  
Size - 3/8 = 22-30 Ft.-Lbs.

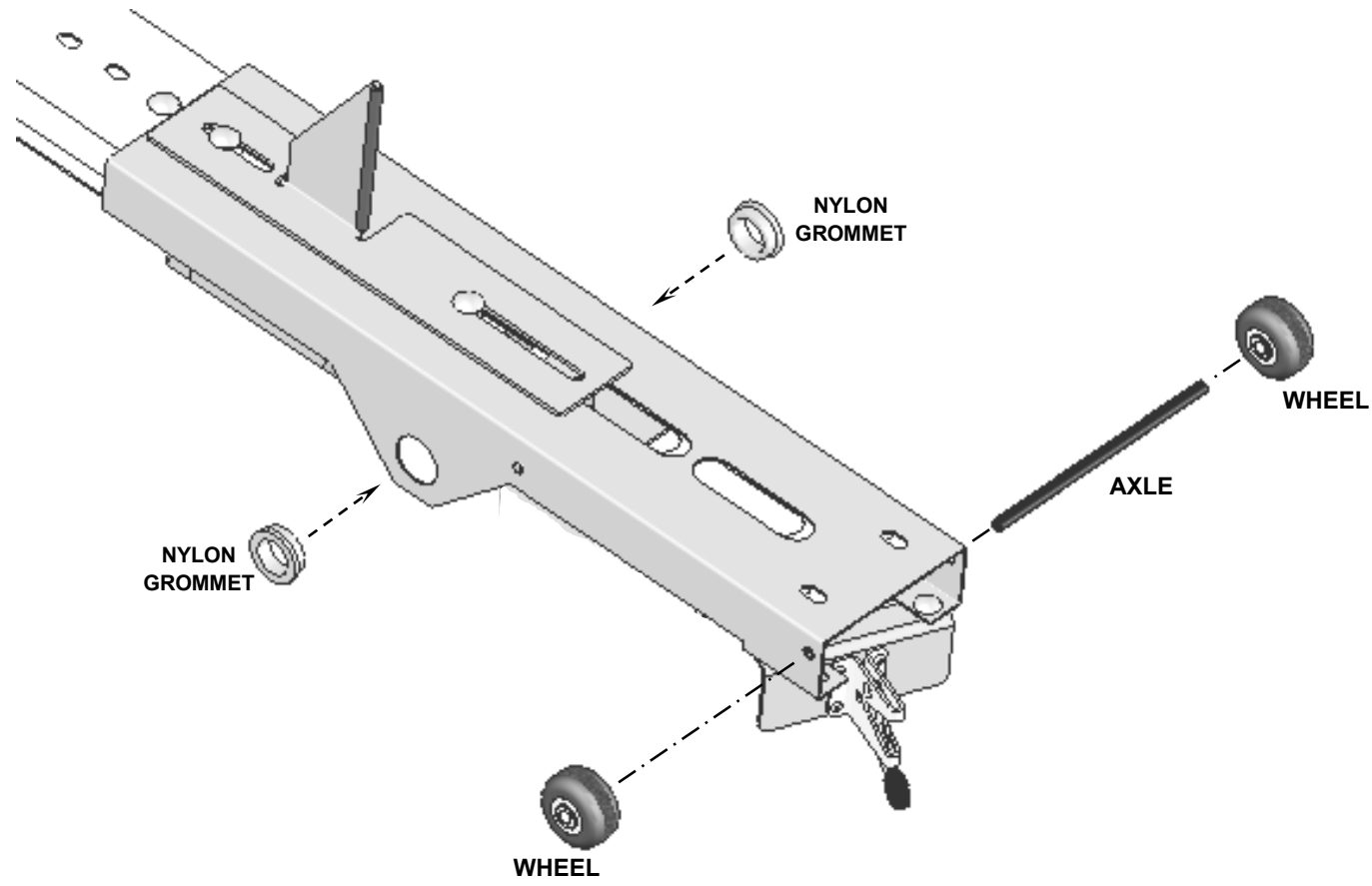
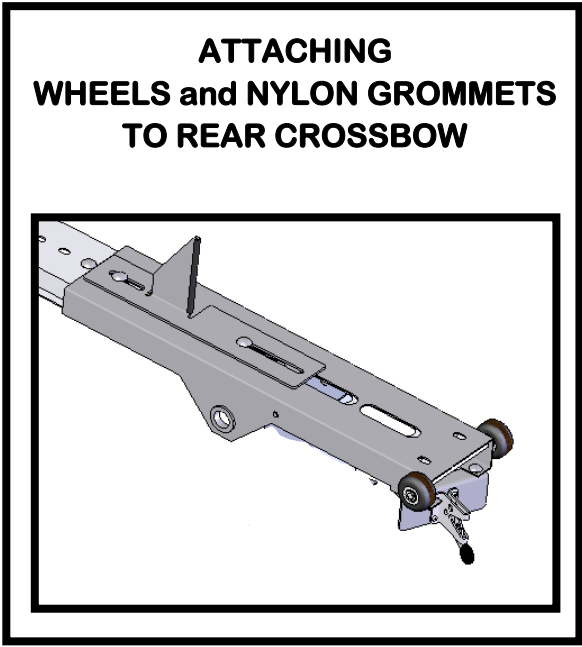
Insert the FRONT STOP through the slot in the Front Crossbow, and align so that the vertical section of the Front Stop touches the Crossbow. Secure with  
**NOTE: WILL REQUIRE FURTHER ADJUSTMENT FOR PROPER OPERATION.**

**APPLY ANTI-SEIZE  
TO ALL THREADS**



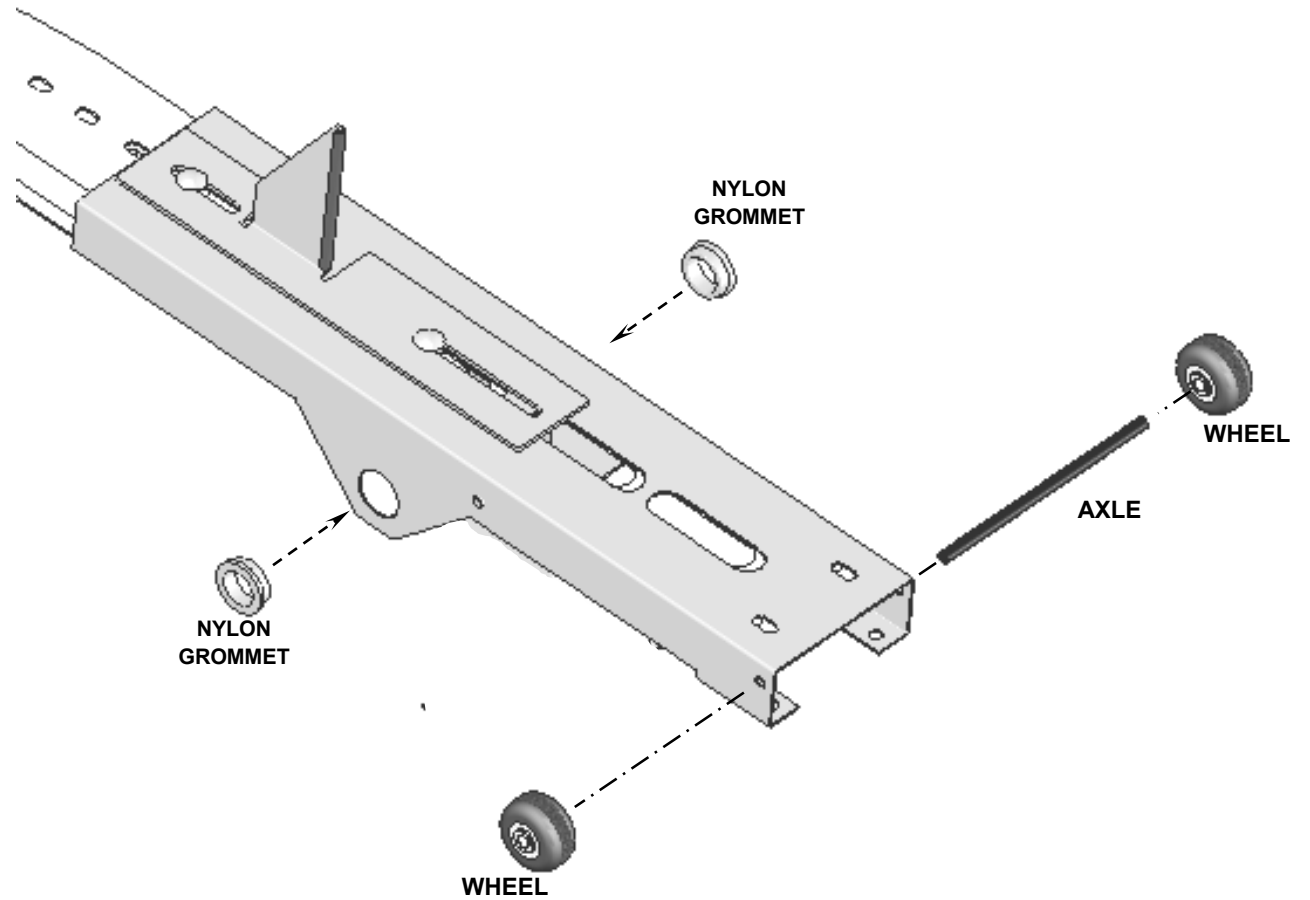
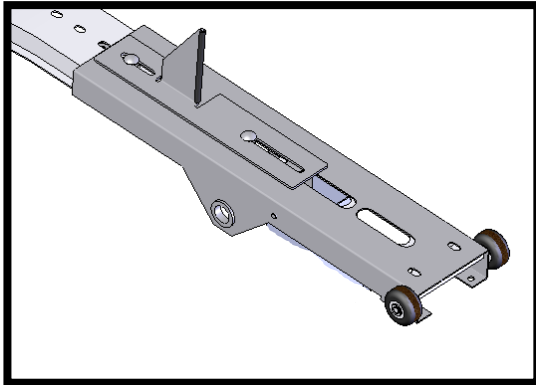
# ATTACHING SLIDE-DOWN COMPONENTS



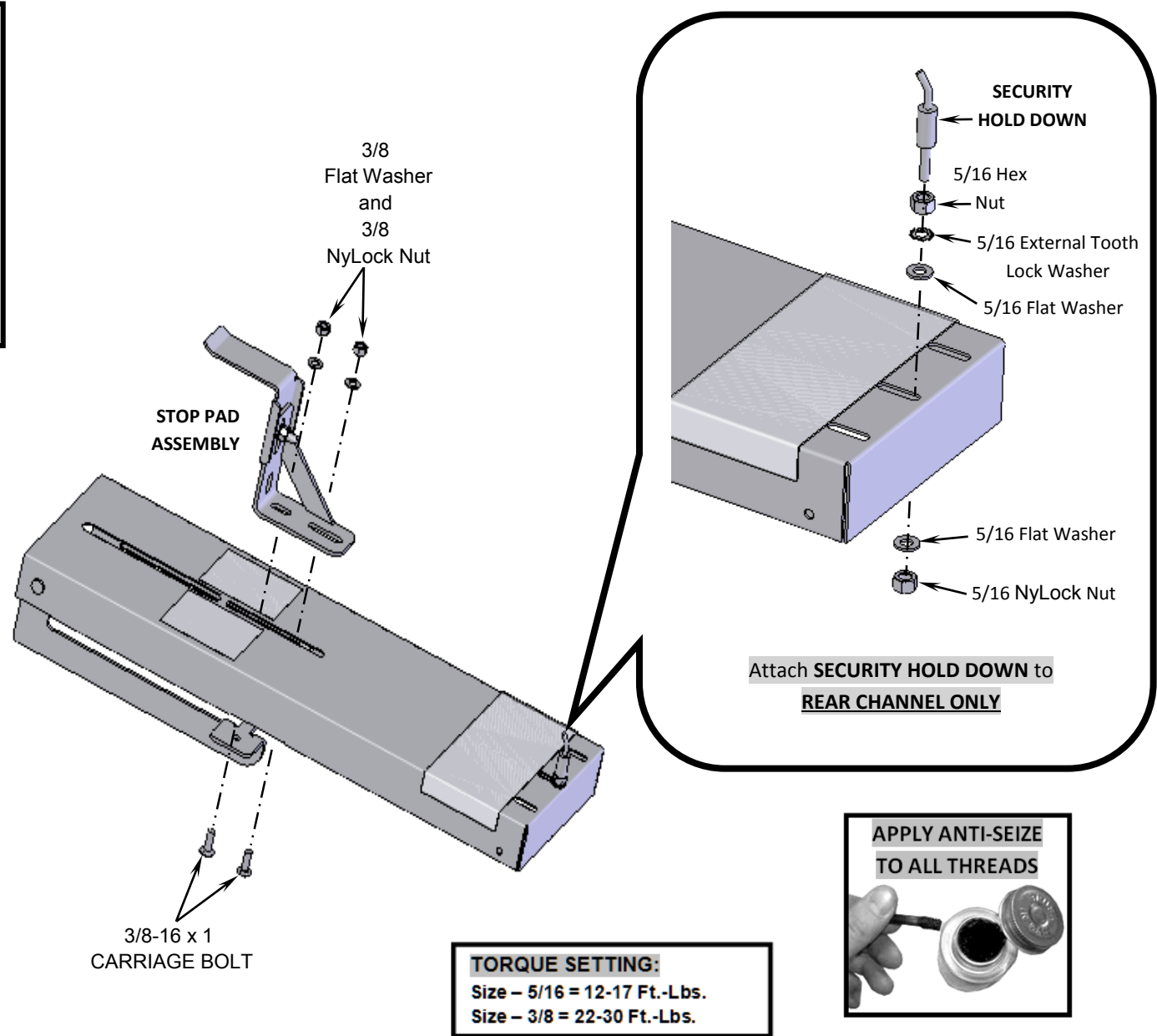


## ATTACHING SLIDE-DOWN COMPONENTS

### ATTACHING WHEELS and NYLON GROMMETS TO FRONT CROSSBOW



**ATTACHING  
STOP PADS  
And  
SECURITY  
HOLD DOWN**



# MOUNTING CHANNEL SUPPORTS



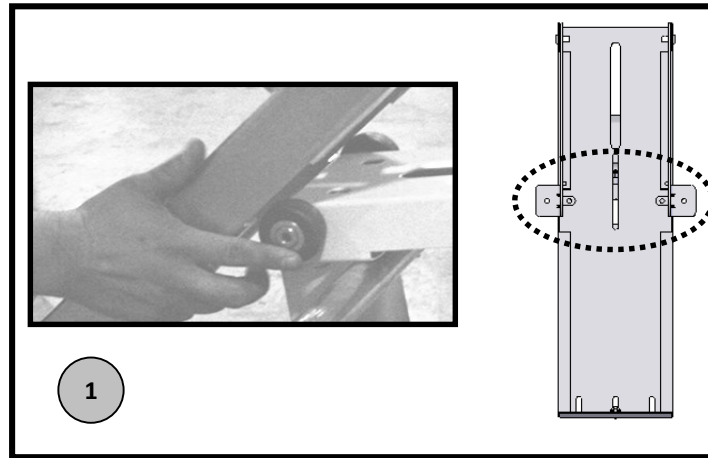
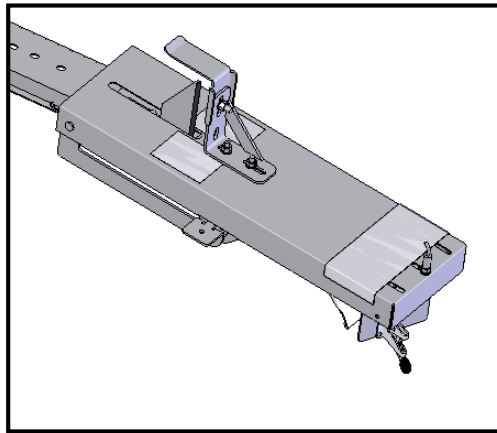
**NOTE**

At the notches in the underside of the Channel, lift Channel over Wheels and slide backward

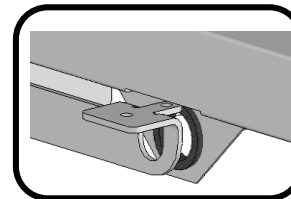
1

Slide assembled Channel Supports over wheels on Front and Rear Crossbows and rest with Stop Bracket through slot as shown.

2

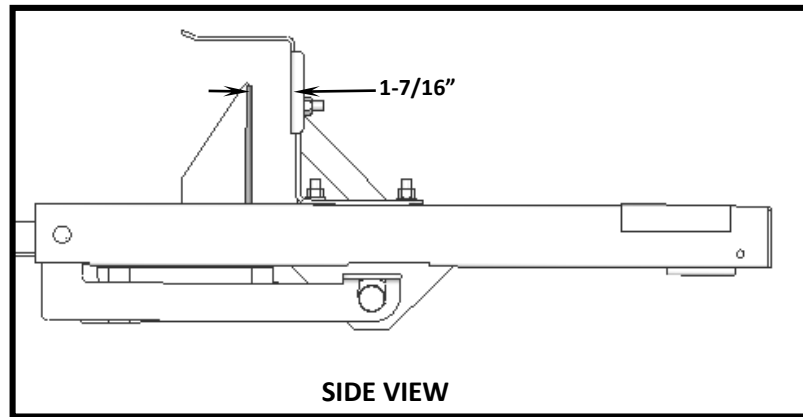
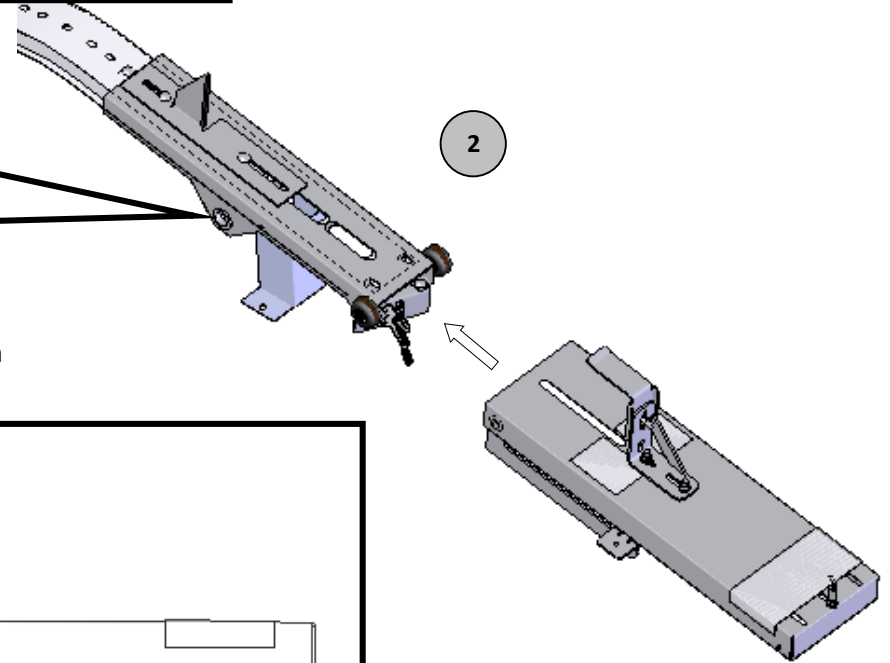


1



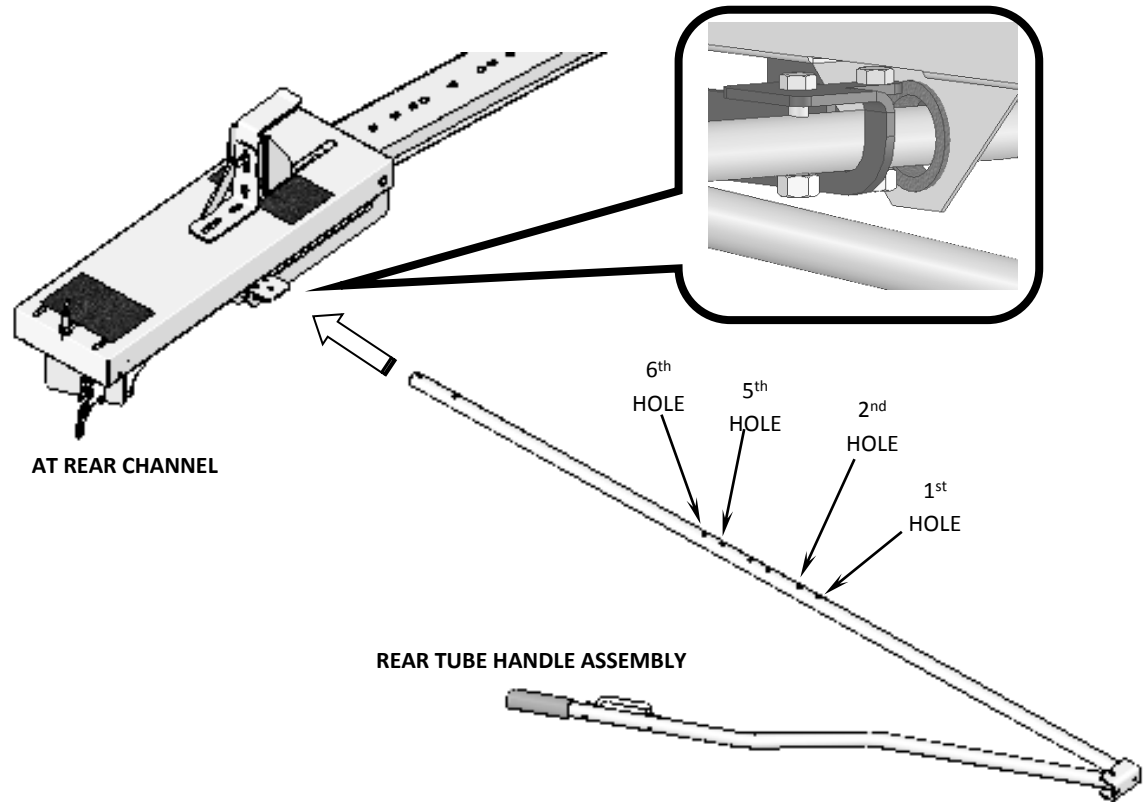
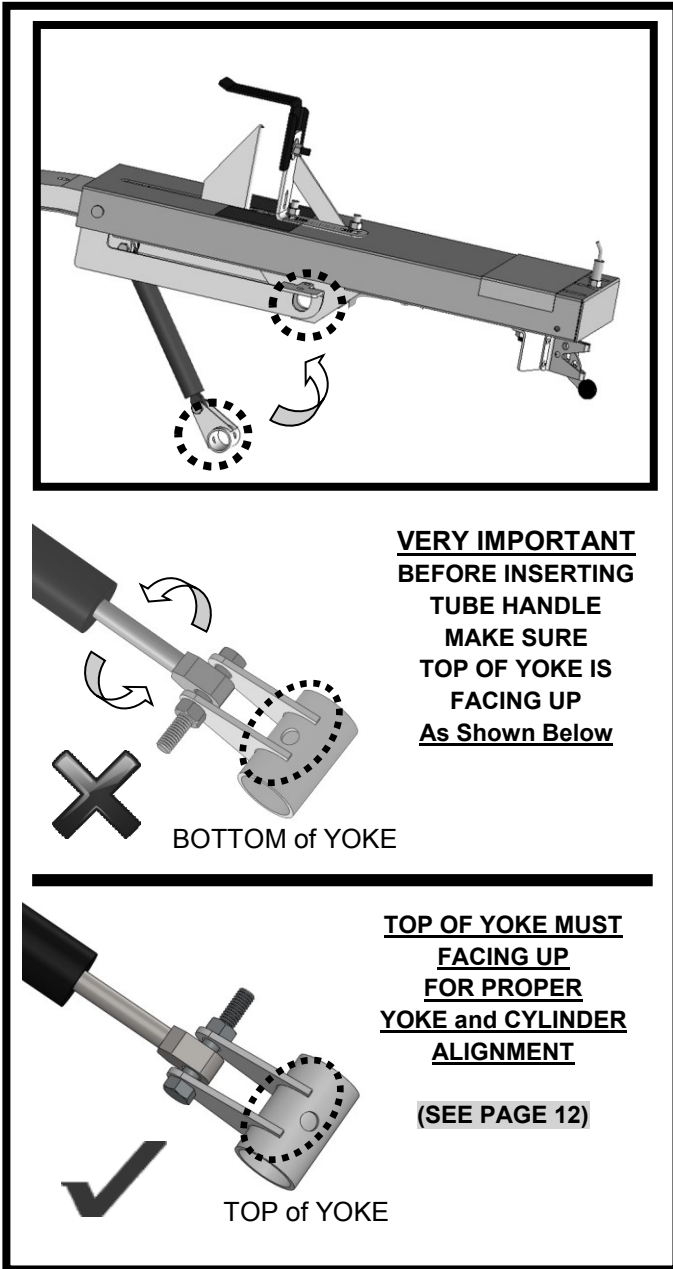
Align small tab on arm inside Grommets

2



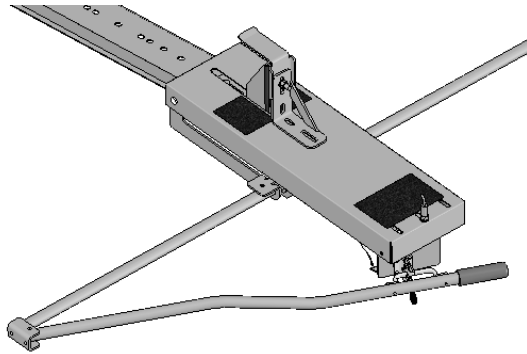
SIDE VIEW





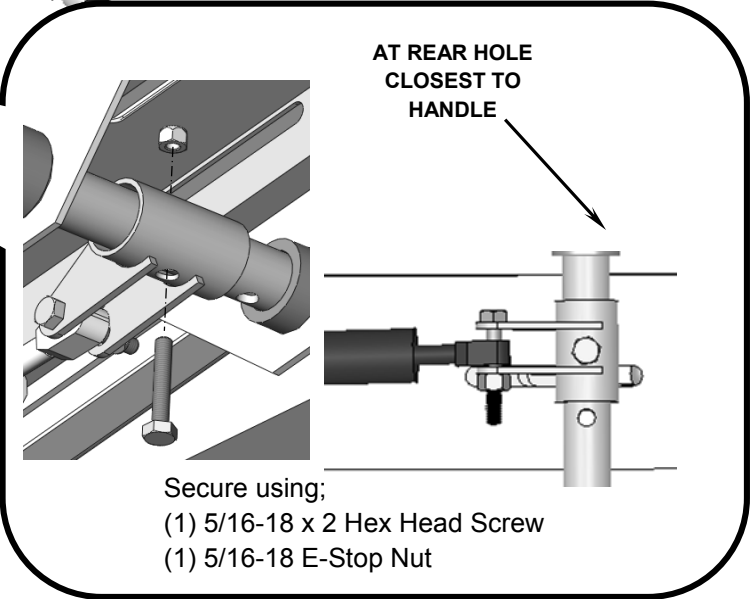
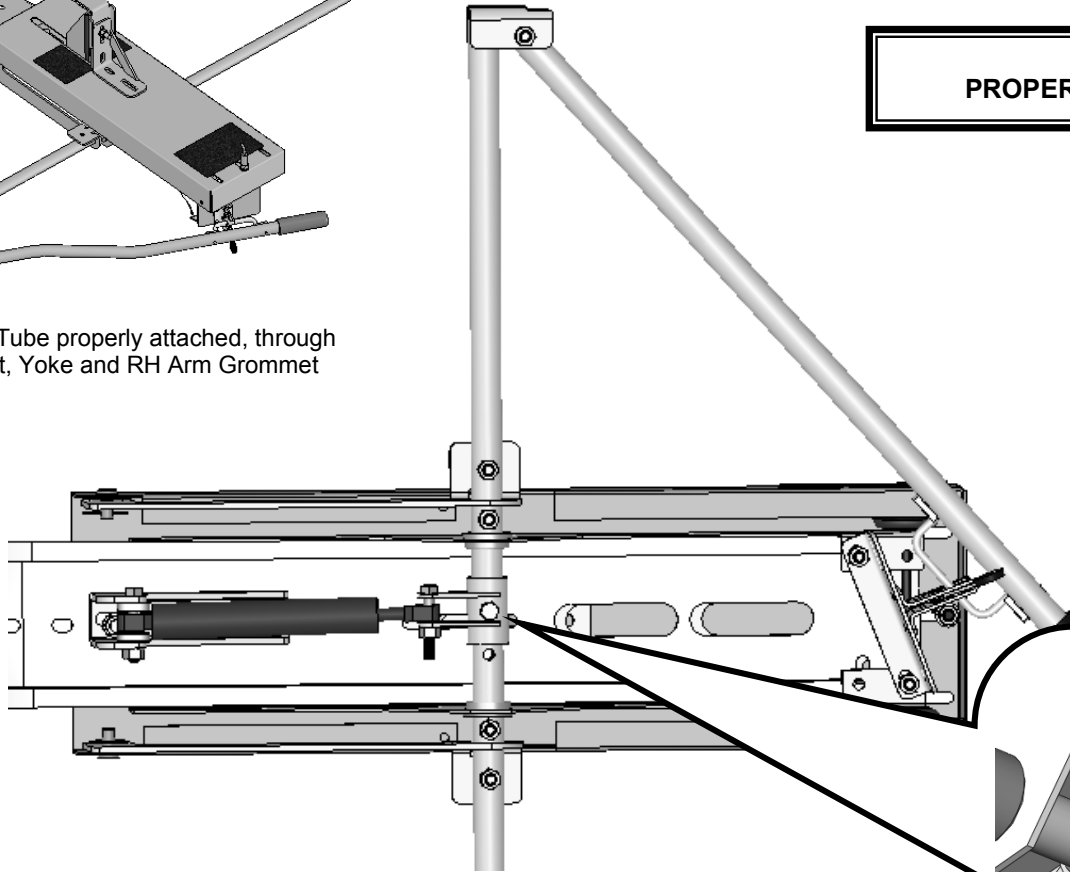
Slide **REAR TUBE HANDLE ASSEMBLY** through LH and RH Arm Grommets. At the hole locations shown, secure with (4) 5/16-18 x 1.5 Hex Head Screws and (4) 5/16-18 NyLock Nuts.

**TORQUE SETTING:**  
Size – 5/16 = 12-17 Ft.-Lbs.



With Rear Handle Tube properly attached, through LH Arm Grommet, Yoke and RH Arm Grommet

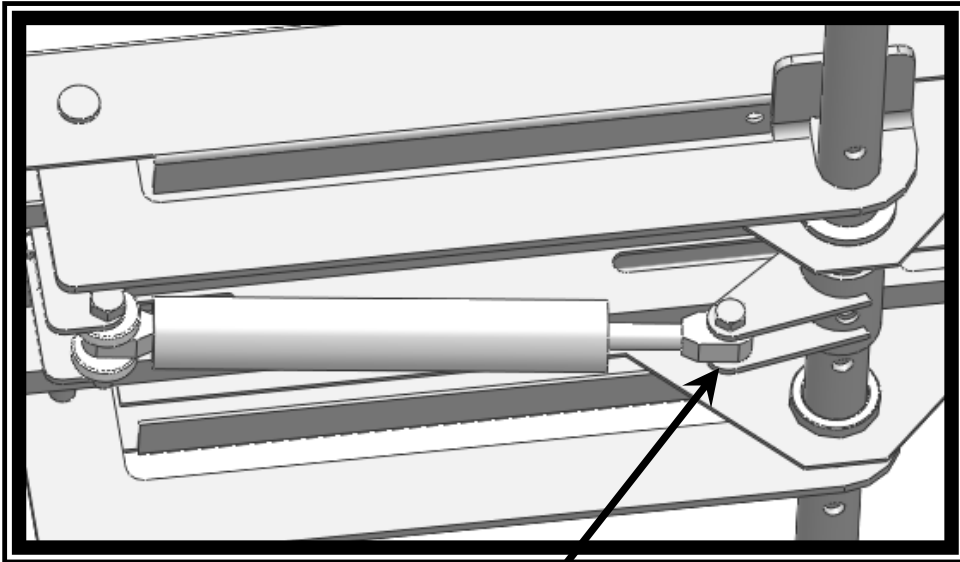
**SEE NEXT PAGE FOR  
PROPER YOKE and CYLINDER ALIGNMENT**



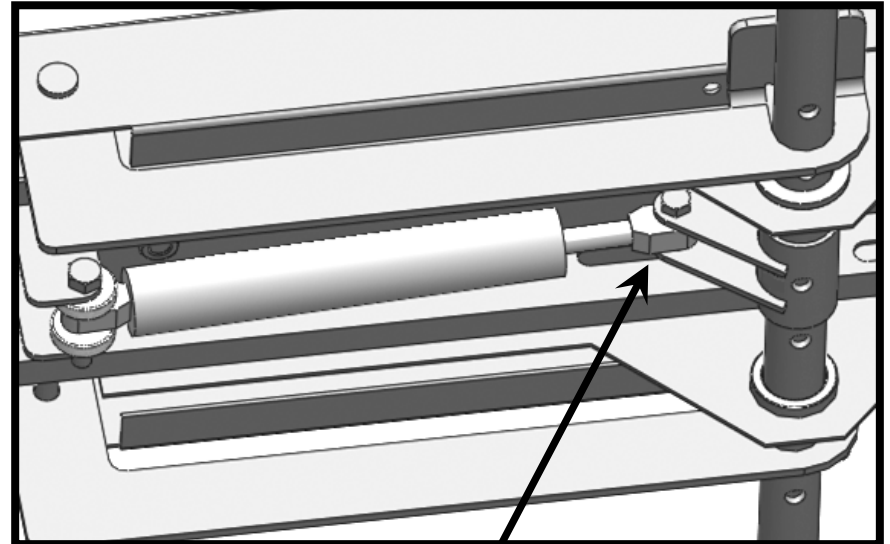
**TORQUE SETTING:**  
Size - 5/16 = 12-17 Ft.-Lbs.



**INCORRECT ALIGNMENT**  
**WILL DAMAGE THE DAMPER**



**CORRECT** YOKE and DAMPER ALIGNMENT

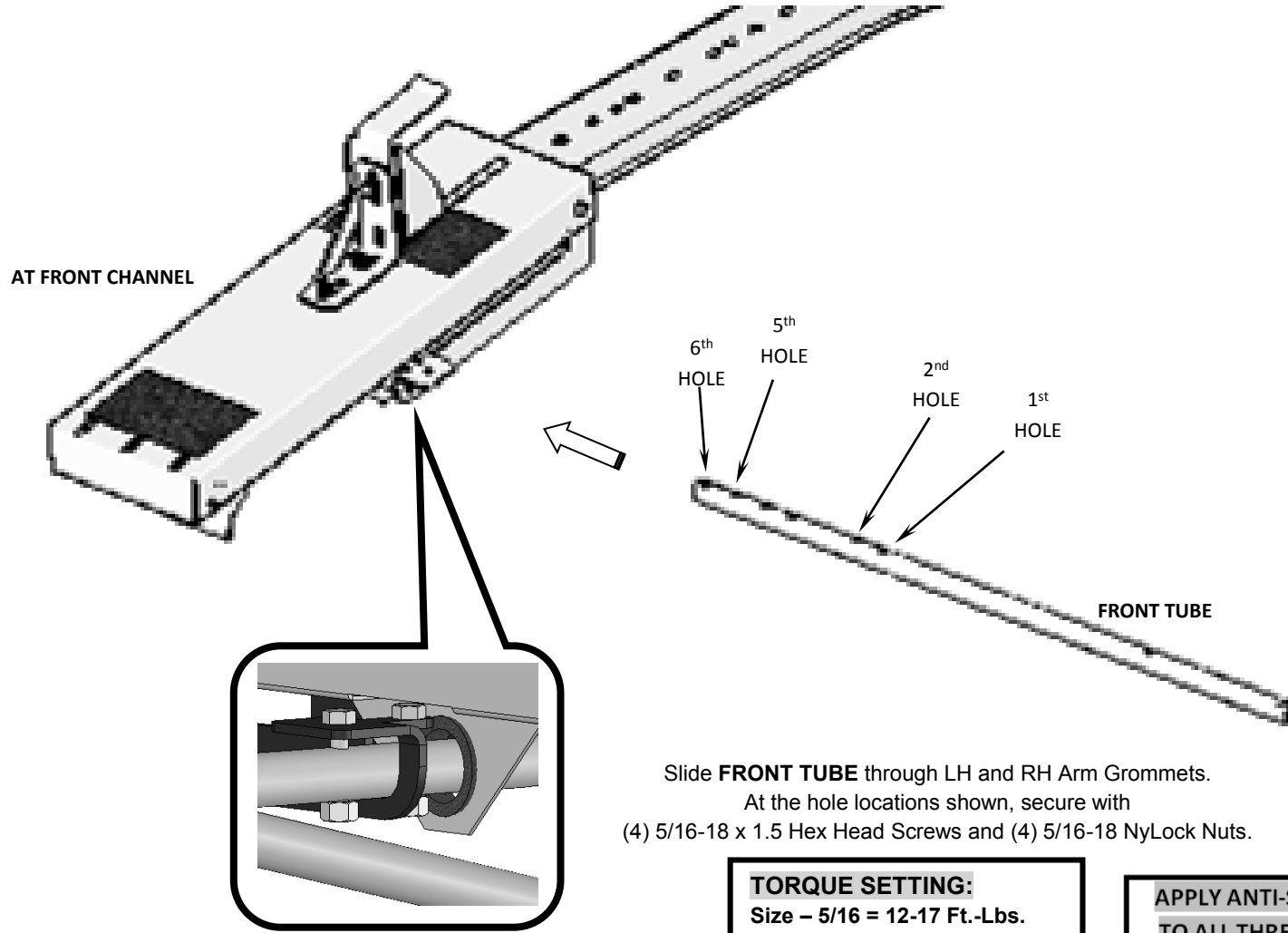


**INCORRECT** YOKE and DAMPER ALIGNMENT

**NOTE: IN THIS EXAMPLE THE**  
**YOKE IS ATTACHED UPSIDE DOWN**



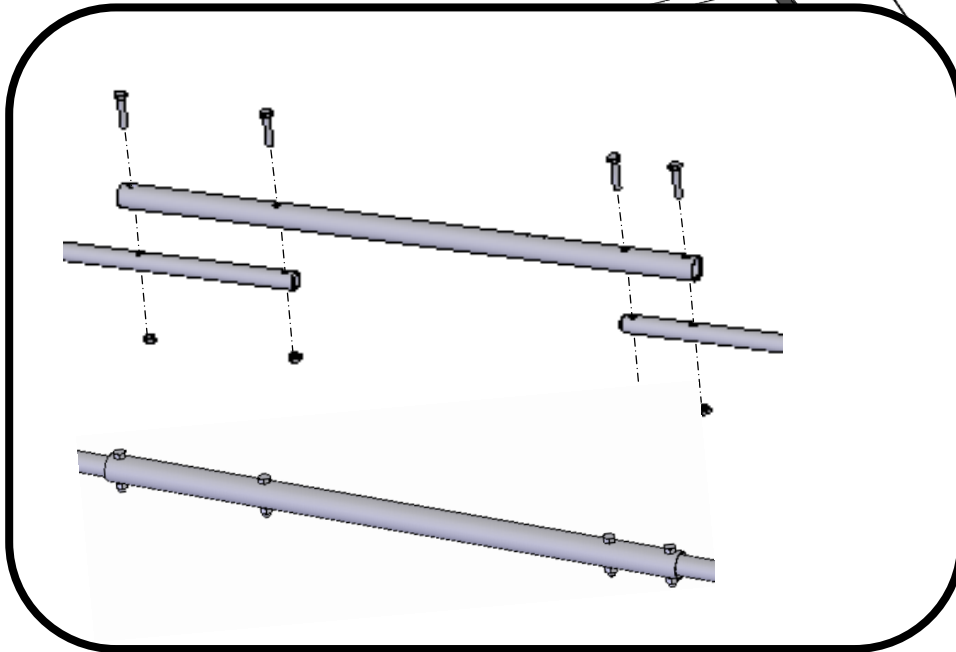
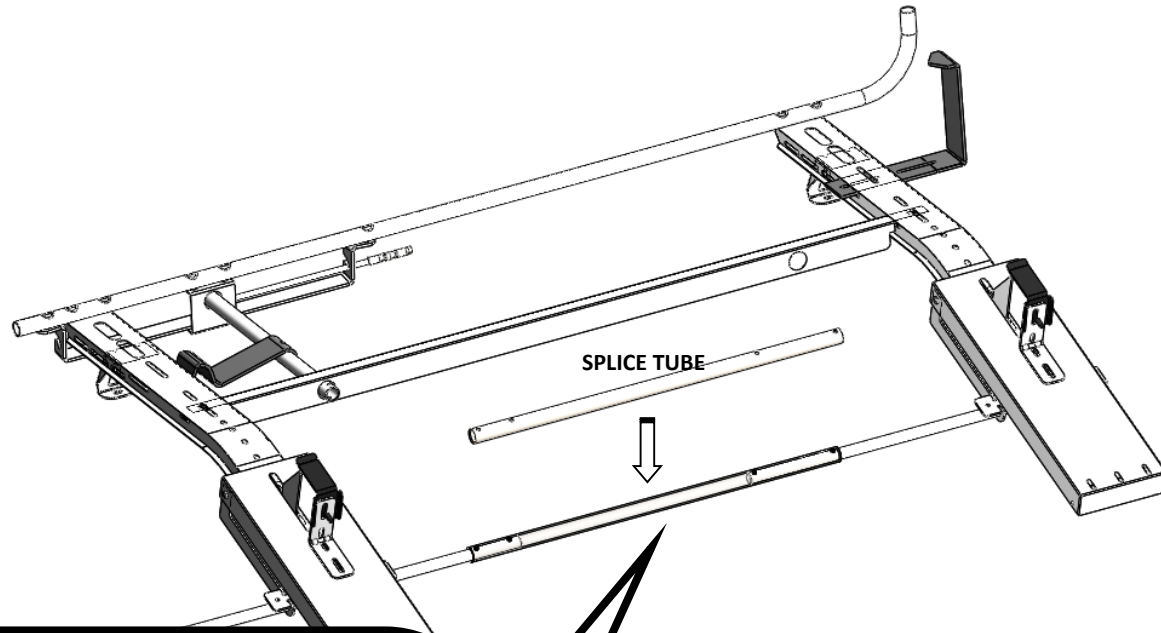
# ATTACHING SLIDE-DOWN COMPONENTS



Slide **FRONT TUBE** through LH and RH Arm Grommets.  
At the hole locations shown, secure with  
(4) 5/16-18 x 1.5 Hex Head Screws and (4) 5/16-18 NyLock Nuts.

**TORQUE SETTING:**  
Size – 5/16 = 12-17 Ft.-Lbs.



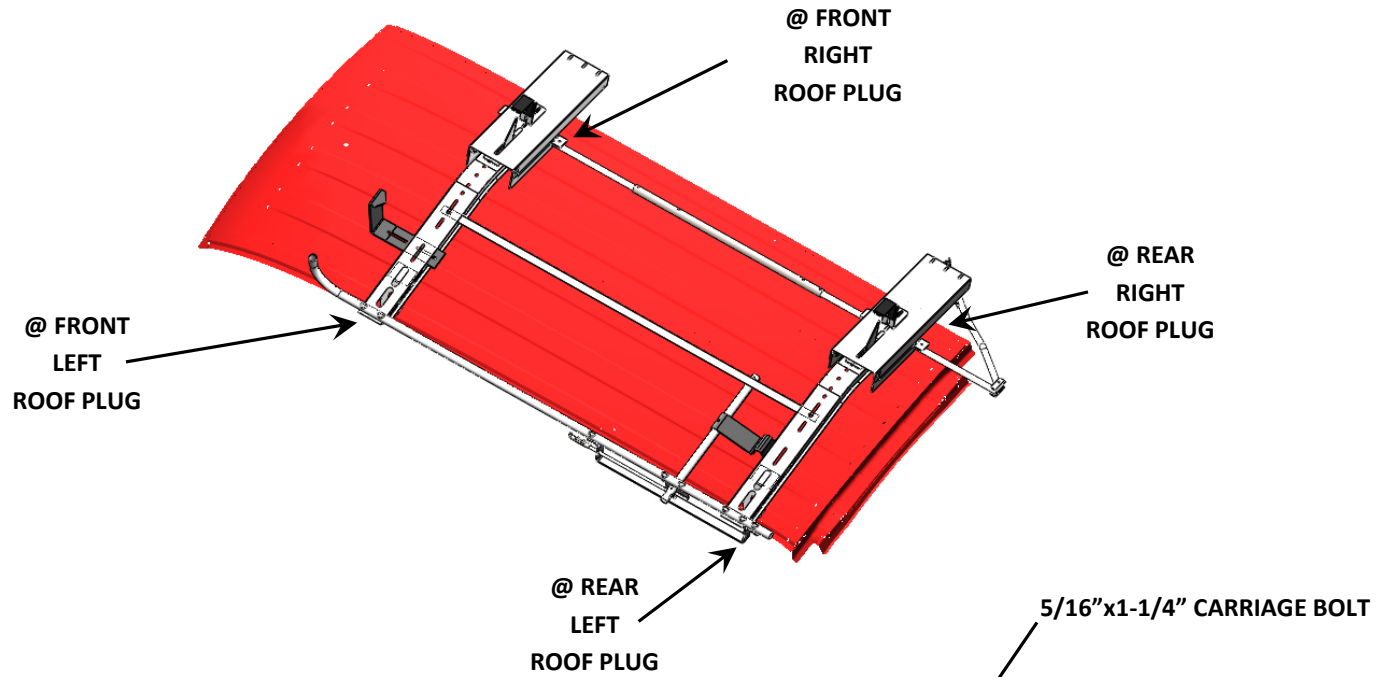


Attach **SPICE TUBE** by sliding **SPICE TUBE** over **REAR TUBE**, then the **FRONT TUBE** and aligning holes as shown, and securing with (4) 5/16-18 x 1.75 Hex Head Screws and (4) 5/16-18 NyLock Nuts.

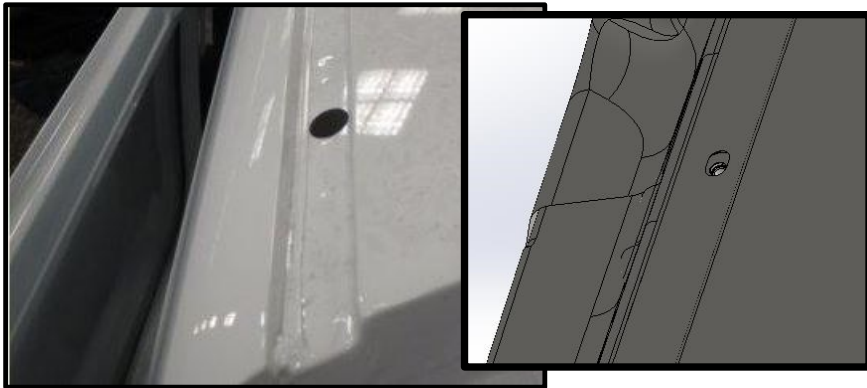
**TORQUE SETTING:**  
Size – 5/16 = 12-17 Ft.-Lbs.



# INSTALLING LADDER RACKS



## REMOVE ROOF PLUGS @ LOCATIONS SHOWN

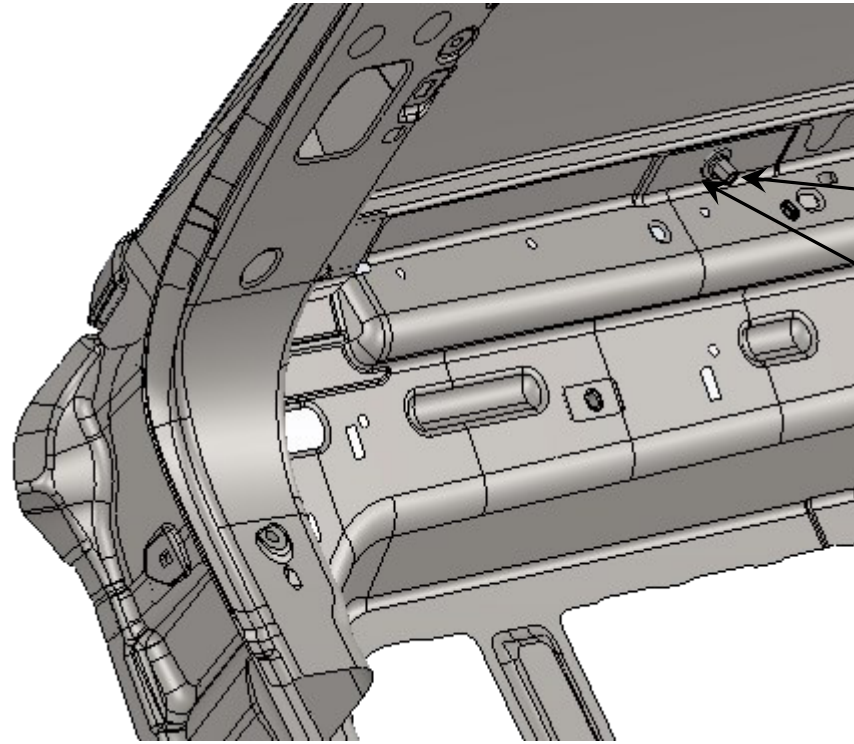


SPONGE

**TORQUE SETTING:**  
Size - 1/4 = 7- 9.6 Ft.-Lbs.

**@ EACH MOUNTING LOCATION SECURE USING:**

## INSTALLING LADDER RACKS



**@ EACH MOUNTING LOCATION SECURE**

**USING:**

**5/16" E-Stop Nut**

**3/8" FLAT WASHER**



## 3 Year / 36,000 Mile Limited Warranty

MASTERACK® commercial van and pickup equipment is warranted to be from defects in material and workmanship, under normal use and service for a period of one (1) year from date of purchase. Factory installations, and products installed in new vehicles by an authorized MASTERACK® installer are warranted for **(3) years or 36,000 miles (60,000 KM)**, whichever comes first. **This warranty covers only repairs, or at MASTERACKS' discretion, replacement to correct any defects related to materials and workmanship.**

### This warranty does not apply to:

- Additions, alterations, or installations made by persons including dealers, other than MASTERACK® and its authorized distributors, made in accordance with MASTERACK® specifications and / or instructions, nor to defects arising out of attribute to such additions, alterations or installations.
- Defects attributable to abuse or misuse of the product, misapplication, negligent accident, modification or tampering.
- Damage resulting from failure to promptly notify and comply with the instructions of the dealer or manufacturer about defects when noted.
- Any incidental or consequential damages connected with a defect, either while under warranty or afterward, including the cost of a rental truck and / or loss or revenue.

**THE WARRANTY IS THE ONLY WARRANTY APPLICABLE TO A MASTERACK PRODUCT PURCHASE. ALL OTHER WARRANTIES, EXPRESSED OR IMPLIED, INCLUDING BUT NOT LIMITED TO, THE IMPLIED WARRANTIES OR MERCHANTABILITY AND FITNESS FOR A PARTICULAR PURPOSE ARE DISCLAIMED. MASTERACK® AND ITS SUBSIDIARIES, SHALL NOT BE LIABLE FOR ANY INCIDENTAL OR CONSEQUENTIAL DAMAGES ARISING OUT OF ANY BREACH OF THIS WARRANTY, NOR SHALL THE DAMAGES EXCEED THE RETURN AMOUNT OF THE PURCHASE PRICE PAID BY THE ORIGINAL PURCHASER.**

Warranty claims must be submitted to either your sales representative or a customer service representative at **1-800-222-8785**. The vehicle must be delivered to the original MASTERACK® authorized dealer for inspection and any warranty service. Any warranty service to be performed by a source other than MASTERACK® location or an approved MASTERACK® distributor must be authorized in advance of the repairs by the MASTERACK® Warranty Administrator and a purchase order issued by MASTERACK® in advance or repairs for the authorized repairs.